



# VFD Package Solution

VFD Packaged Solution for Variable Torque  
Fan and Pump Applications



# LSIS

# VFD Package Solution

VFD Packaged Solution for Variable Torque  
Fan and Pump Applications

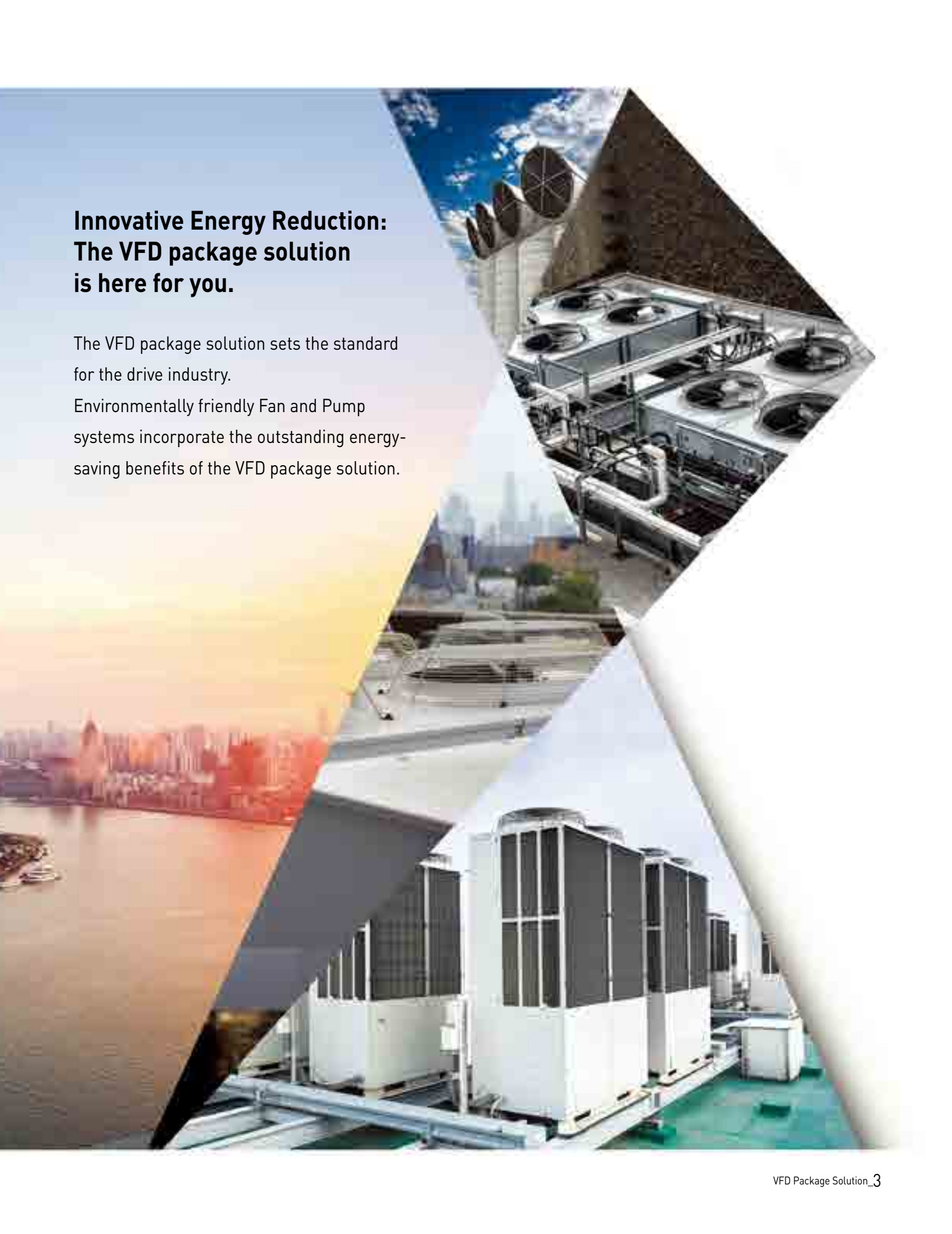


SP100

LSBP NEMA1

LSBP NEMA12

LSBP NEMA3R



## **Innovative Energy Reduction: The VFD package solution is here for you.**

The VFD package solution sets the standard for the drive industry.

Environmentally friendly Fan and Pump systems incorporate the outstanding energy-saving benefits of the VFD package solution.

# VFD Package Solution

VFD Packaged Solution for Variable Torque  
Fan and Pump Applications

## Table of Contents

<b>Product Offering Summary</b> .....	<b>05</b>
<b>SP100 Bypass Package</b> .....	<b>06</b>
- General Specification .....	06
- Standard Features .....	07
- Model Number Structure .....	08
- Description of Options .....	09
- List Pricing .....	10
SP100 with a built-in DC reactor (Quick Ship Item)	
SP100 with a built-in 3% AC line reactor	
- Circuit Overview (Main & Control) .....	12
<b>LSBP Bypass Package</b> .....	<b>14</b>
- General Specification .....	14
- Model Number Structure .....	15
- Description of Options .....	16
- List Pricing (NEMA1, NEMA12, NEMA3R) .....	17
- List Price for Options .....	23
- Circuit Overview (Main & Control) .....	24
<b>LSBP Configured Package (Non-bypass)</b> .....	<b>26</b>
- General Specification .....	26
- Model Number Structure .....	27
- Description of Options .....	28
- List Pricing (NEMA1, NEMA12, NEMA3R) .....	29
- List Price for Options .....	34
<b>Dimensions</b> .....	<b>35</b>
<b>Warranty &amp; Service</b> .....	<b>46</b>

# Product Offering Summary

	SP100	LSBP Bypass	LSBP Non-Bypass
<b>Ratings</b>			
Horsepower & Voltage	2-25Hp, 208/230V 2-75Hp, 460V	1-125Hp, 208/230V 1-400Hp, 460V	1-125Hp, 208/230V 1-400Hp, 460V
NEMA/UL Type 1 Enclosure	S	S	S
NEMA/UL Type 3R Enclosure	N/A	O	O
NEMA/UL Type 12 Ventilated Enclosure	N/A	O	O
Ambient Temperature	-10°C to +40°C Type 1	-10°C to +40°C Type 1/12 / 3R -20°C to +45°C Type 3R (Option)	-10°C to +40°C Type 1/12 / 3R -20°C to +45°C Type 3R (Option)
<b>Features</b>			
Input Disconnect & Branch Circuit Protection	Manual Motor Starters	Circuit Breaker, Fusible Disconnect or Manual Motor Starters	Circuit Breaker, Fusible Disconnect or Manual Motor Starters
Electrically & Mechanically Interlocked Drive Output and Bypass Contactors	S	S	N/A
Drive Input Isolation	S	S	N/A
Overload	EMPR	Class 20	N/A
DC Link Reactor	S	Standard 30-40Hp, 208/230V Standard ≥ 50HP, 460V	Standard ≥ 50HP, 460V
3% AC Line Reactor	O	Standard 1-20Hp & 50-125Hp, 208/230V Standard 1-40Hp, 460V	O
5% AC Line Reactor	N/A	O	O
Control Power Transformer w/Fusing	S	S	O
Power On Indicator	S	S	via Keypad
Drive Run Indicator	via Keypad	via Keypad	via Keypad
Drive Fault Indicator	via Keypad	via Keypad	via Keypad
Bypass Run Indicator	S	S	N/A
Motor Overload Indicator	S	S	via Keypad
Drive-Off-Bypass Selector Switch	S	S	N/A
Isolate-Normal Selector Switch	S	S	N/A
Safety Interlock Input	Programmable	S	Programmable
Run Command Input	S	S	S
Enable Input	Programmable	Programmable	Programmable
Fireman's Override Input	S	S (H100P) O (ViS7P)	N/A
Analog Speed Reference Input	0-10VDC or 4-20mA	0-10VDC or 4-20mA	0-10VDC or 4-20mA
Damper Control Output	S	S	Programmable
Drive Run Status Output	via Keypad	via Keypad	via Keypad
Drive Fault Status Output	S	S	S
Motor Run Status Output	S	S	S
Programmable Relay Outputs	S	S	S
Analog Output	0-10VDC or 4-20mA	0-10VDC or 4-20mA	0-10VDC or 4-20mA
Automatic Bypass	S	S (H100P) O (ViS7P)	N/A
Customer Control I/O Terminal Strip	S	S	S
<b>Communication Protocols</b>			
Modbus RTU	S	S	S
Metasys N2	S (H100P Only)	S (H100P Only)	S (H100P Only)
LonWorks	O	O	O
BACnet	S (H100P Only)	S (H100P Only)	S (H100P Only)
Profibus DP	N/A	O (ViS7P Only)	O (ViS7P Only)
Ethernet	N/A	O (ViS7P Only)	O (ViS7P Only)
Standards	UL508A, UL, cUL	UL508A, UL, cUL	UL508A, UL, cUL
Quick Ship Program (Same Day Shipping)	- Built-in DC Reactor Type: Yes - Built-in 3% AC Line Type: No	No	No

S = Provided As Standard  
O = Optional

# SP100 Bypass Package

## SP100 Bypass General Specifications

### Environmental

Enclosure	Type 1
Ambient Temperature	+14°F to +104°F (-10°C to +40°C)
Storage Temperature	-4°F to +149°F (-20°C to +65°C)
Humidity	5% to 95% with no condensation
Altitude	0 to 3,300 ft. (1,000m) without derating, derate output current by 1% for each additional 330 ft (100m)

### Codes and Standards

UL, cUL Listed per UL508A
Conforms to applicable NEMA ICS, NFPA, & IEC Standards

### Electrical

Input Voltage: Nominal - Phase	208VAC, 230VAC, 460VAC - 3 Phase
Input Voltage: Tolerance, Unbalance	+/-10%, ≤3%
Input Frequency	60Hz +/-5%
Displacement Power Factor	≥0.97
Output Frequency	0.00 ~ 400.00Hz
Motor Control Method	V/F for all capacity range
PWM Switch Frequency	1 ~ 15kHz (2~ 40HP) 1 ~ 10kHz (50 ~ 75HP)
Drive Overload Capacity	120% for 1 min - 208V/230V: 2~25HP, 460V: 2~75HP
Motor Overload	Programmable overload / EMPR
Torque Boost	Manual 0~15% boost, automatic torque boost available
Speed Reference	Keypad, 0~10V, -10~10V, 0~20mA, RS485, Fieldbus, Pulse - 208V/230V: 2~25HP, 460V: 2~75HP
Speed Reference Resolution	Digital command: 0.01Hz Analog command: 0.06Hz (60Hz standard)
Acceleration/Deceleration Time	0.00 ~ 6000.0 seconds
Jump Frequencies	3 programmable jump frequency
Output Signals	Qty 4: N.O. dry contacts rated 5A @ 230V max, functionality: Drive Run, Drive Fault, Bypass Run, & Damper Control (for Fan) Qty 1: Open Collector rated 50mA @ 26VDC max, functionality: Drive Run (for Pump) Qty 1: Form C dry contacts rated 2A @ 230V max, functionality: Drive Fault (for Pump) Qty 1: 0 to 10VDC or 4 to 20mA, user selectable programmable analog signal (for both Fan & Pump)

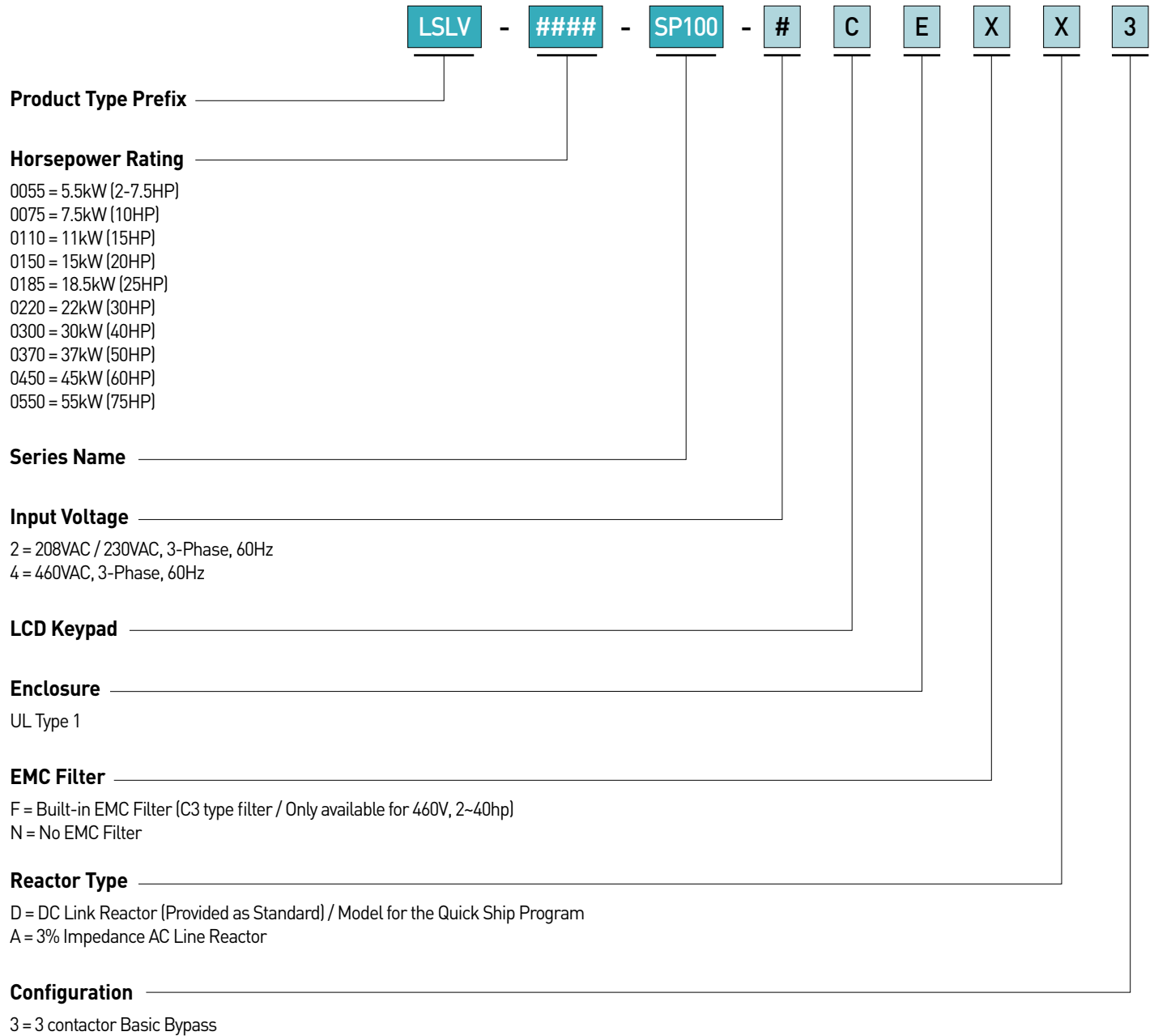
## SP100 Bypass Standard Features

### Operation Features

Soft Fill	Prevents pump damage caused by dramatic pressure changes during initial operation.
Start/End Ramp	Prevents pump damage by changing the acceleration and deceleration ramp profile during initial pump operation and stop.
Decel Valve Ramp	Prevents pump or pipe damage caused by sudden pressure changes when pumps are stopped or valves are closed.
Scheduling (Time Event: Real Time Clock)	Real Time Clock allows sequencing of selected functions during pre-defined time periods.
Flow Compensation	Compensates for hydraulic losses due to elevation or long pipe lengths.
Pump Clean	Removes foreign substances from the pump cavity to extend life and improve efficiency.
Load Tuning	Establishes load curves (current & power) to define load characteristics for under torque and pump clean functions.
Fire Mode	Operates continuously to protect critical systems during emergency situations under set frequency and direction.
Energy Savings Display	Commercial energy consumption is compared to the energy utilized by the VFD to calculate the amount energy savings.
Power-On Resume	Automatic restart upon power interruption.
Sleep, Sleep Boost, Wake-up	Standby mode during PID operation for energy savings and reduction of pump wear.
Auto Torque Boost	Manual or automatic voltage compensation for varying load profiles.
Lubrication Control	Lubrication output signal for a defined time period prior to drive control starting.
Damper Control	Damper control with end-switch confirmation with programmable time period.
Level Detection	User defined low and high detection limits based upon voltage, current or feedback.
Pipe Break Detection	Upon PID operation, pipe breakage or leakage is detected to display a warning or fault condition.
Underload Detection	No flow or pump dry detection with selectable response.
Motor Pre-heat	Prevents condensation in the motor by injecting direct current during idle states.
Kinetic Energy Buffering	Upon loss or momentary power interruption, the drive maintains DC bus voltage by controlled regeneration of the load.
Macro Setting	Application specific parameter groups for commonly used functions.
Bypass Features	Manual bypass selection.
	Automatic transfer to bypass.
	Bypass run indication.
	Motor overload indication.
	Power on indication.
	Hand/Off/Auto selector switch.
	VFD/Off/Bypass selector switch.
	Adjustable trip class for bypass contactor.
	Damper end switch logic with notification.
	Drive and bypass input/output contactors.
	Drive input isolation contactor.
	Control power transformer with fusing.
	Five built-in relay outputs.
Built-in DC reactor. / Built-in 3% AC Line reactor as an option.	

# SP100 Bypass Package

## LSLV SP100 Bypass Model Number Structure





## Description of Options

### Configuration

- (3): 3-contactor bypass with drive isolation provides the ability to run the motor across the line or from the drive.  
Standard package includes "Hand-Off-Auto" LCD keypad, "VFD-Off-Bypass" switch, Auto Bypass function, "Motor Overload", "Power On" and "Bypass Run" indicating lights.

### VFD Series

(H100): 208V & 230V / 2-25HP, 460V / 2-75HP (Normal Duty)

### Enclosure Type

- (E): UL/NEMA Type 1 enclosure for indoor use to provide a degree of protection against access to hazardous parts and entry of foreign objects.

### EMC Type

- (N): No Option  
(F): Built-in EMC filter

### Harmonic Options

- (D): Built-in DC Link Reactor as standard.  
(A): 3% impedance AC line reactor for improving the drive's power factor, lowering harmonics, and absorbing power line disturbances.

### Power Options

Manual Motor Starter disconnect for the SP100 input connection.

### Communication Options

BACnet, Metasys N2 and Modbus communication protocols standard.  
LonWorks communication protocols available as an option.

### Control Options

Fire mode as standard  
Five built-in relay outputs



# SP100 Bypass Package



## Quick Ship List Price (SP100 with Built-in DC Reactor)

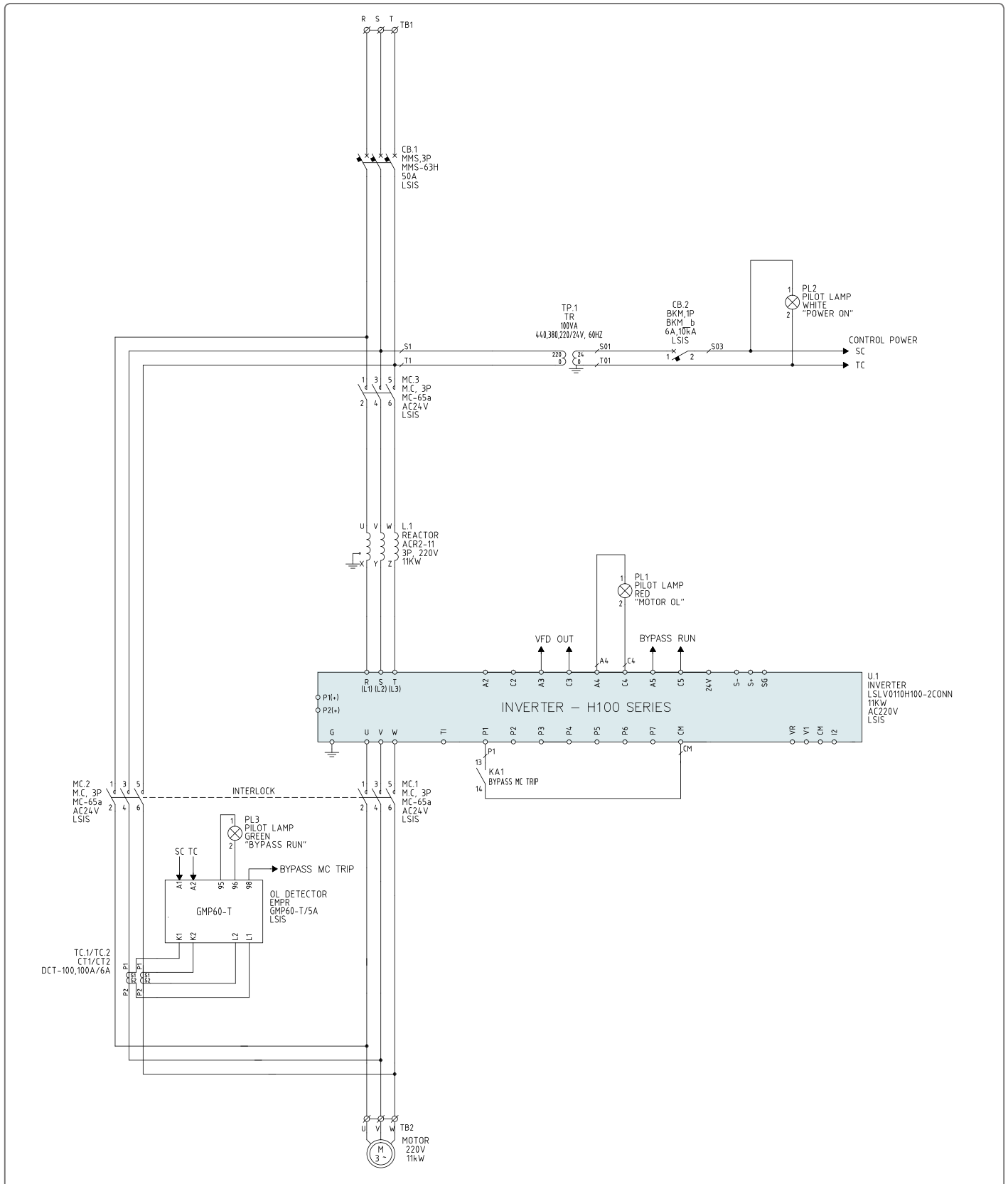
SP100 Bypass				
HP	Frame Size	Base Unit Model Number	Order Code	LSIS USA List Price
<b>208/230VAC, 3-Phase, 60HZ Input</b>				
2-7.5	1	LSLV0055SP100-2CEND3	6730002300	\$ 2,416.00
10		LSLV0075SP100-2CEND3	6730002400	\$ 2,650.00
15	2	LSLV0110SP100-2CEND3	6730002500	\$ 3,102.00
20		LSLV0150SP100-2CEND3	6730002600	\$ 3,520.00
25	3	LSLV0185SP100-2CEND3	6730002700	\$ 4,721.00
<b>460VAC, 3-Phase, 60HZ Input</b>				
2-7.5	1	LSLV0055SP100-4CEFD3	6731005500	\$ 2,100.00
10		LSLV0075SP100-4CEFD3	6731005600	\$ 2,217.00
15		LSLV0110SP100-4CEFD3	6731005700	\$ 2,621.00
20	2	LSLV0150SP100-4CEFD3	6731005800	\$ 3,094.00
25		LSLV0185SP100-4CEFD3	6731005900	\$ 3,588.00
30	3	LSLV0220SP100-4CEFD3	6731006000	\$ 3,985.00
40		LSLV0300SP100-4CEFD3	6731006100	\$ 4,711.00
50	4	LSLV0370SP100-4CEND3	6731006200	\$ 6,206.00
60		LSLV0450SP100-4CEND3	6731006300	\$ 7,079.00
75		LSLV0550SP100-4CEND3	6731006400	\$ 9,068.00

## List Price (SP100 with Built-in 3% AC Line Reactor)

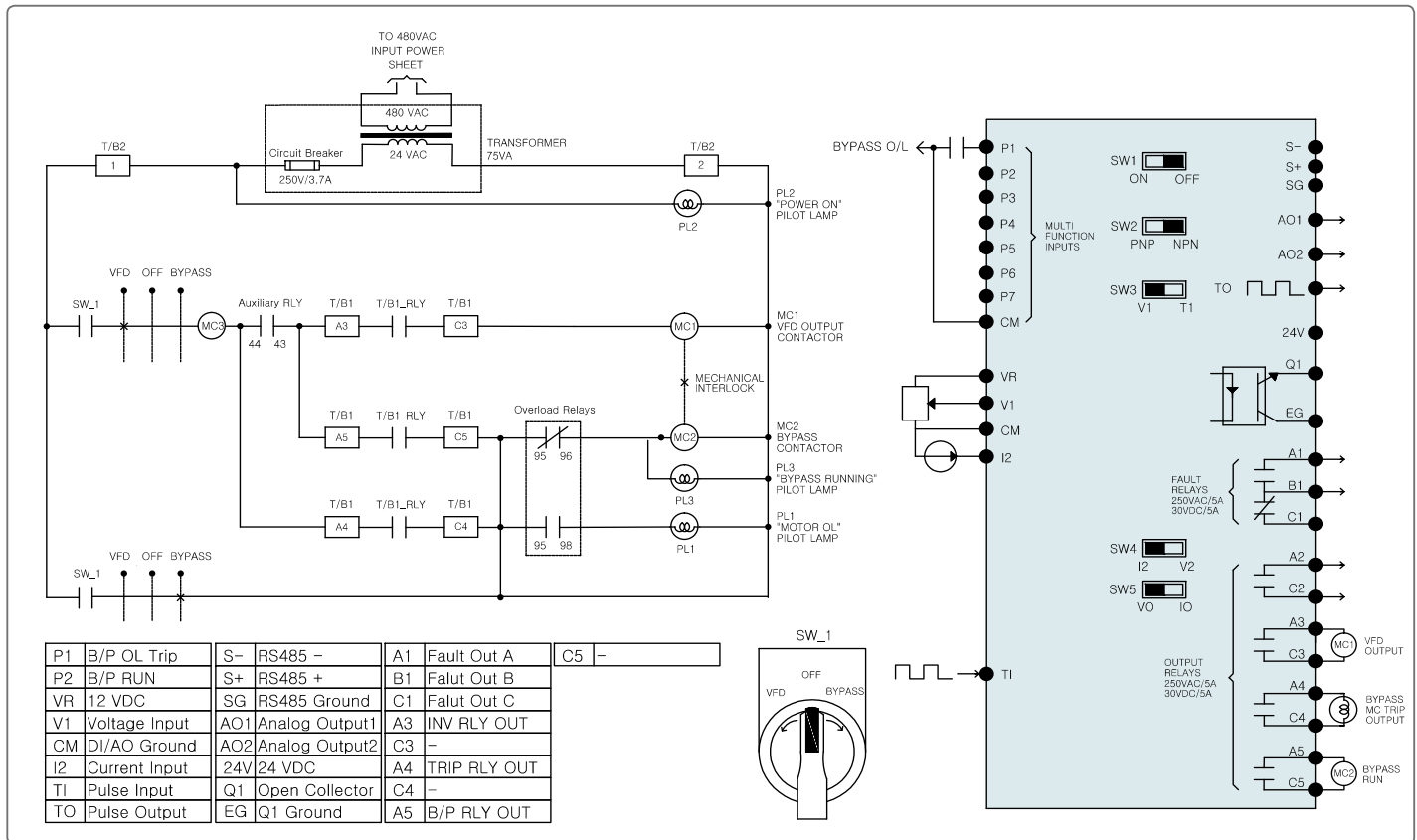
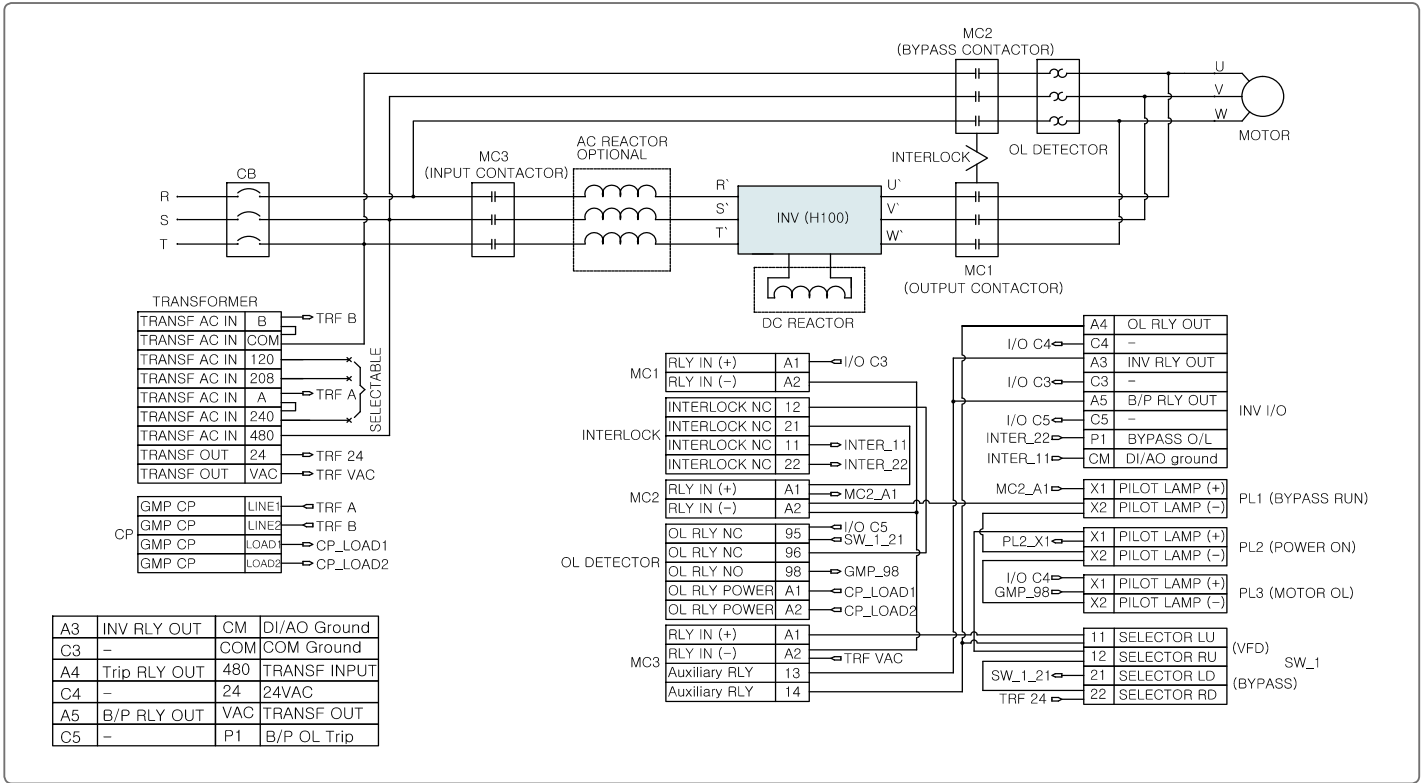
SP100 Bypass				
HP	Frame Size	Base Unit Model Number	Order Code	LSIS USA List Price
<b>208/230VAC, 3-Phase, 60HZ Input</b>				
2-7.5	1	LSLV0055SP100-2CENA3	6730003200	\$ 2,778.40
10		LSLV0075SP100-2CENA3	6730003300	\$ 3,047.50
15	2	LSLV0110SP100-2CENA3	6730003400	\$ 3,567.30
20		LSLV0150SP100-2CENA3	6730003500	\$ 4,048.00
25	3	LSLV0185SP100-2CENA3	6730003600	\$ 5,429.15
<b>460VAC, 3-Phase, 60HZ Input</b>				
2-7.5	1	LSLV0055SP100-4CEFA3	6731007100	\$ 2,415.00
10		LSLV0075SP100-4CEFA3	6731007200	\$ 2,549.55
15		LSLV0110SP100-4CEFA3	6731007300	\$ 3,014.15
20	2	LSLV0150SP100-4CEFA3	6731007400	\$ 3,558.10
25		LSLV0185SP100-4CEFA3	6731007500	\$ 4,126.20
30	3	LSLV0220SP100-4CEFA3	6731007600	\$ 4,582.75
40		LSLV0300SP100-4CEFA3	6731007700	\$ 5,417.65

# SP100 Bypass Package

## Main



# Control Circuit Overview



# LSBP Bypass Package

## General Specification

### Environmental

Enclosure	Type 1, NEMA 12 Ventilated, Type 3R
Ambient Temperature	+14°F to +104°F (-10°C to +40°C) for Type 1 & NEMA 12 Vent. -4°F to +113°F (-20°C to +45°C) for Type 3R
Storage Temperature	+5°F to +140°F (-15°C to +60°C)
Humidity	5% to 95% with no condensation
Altitude	0 to 3,300 ft. (1,000m) without derating, derate output current by 1% for each additional 330 ft (100m)

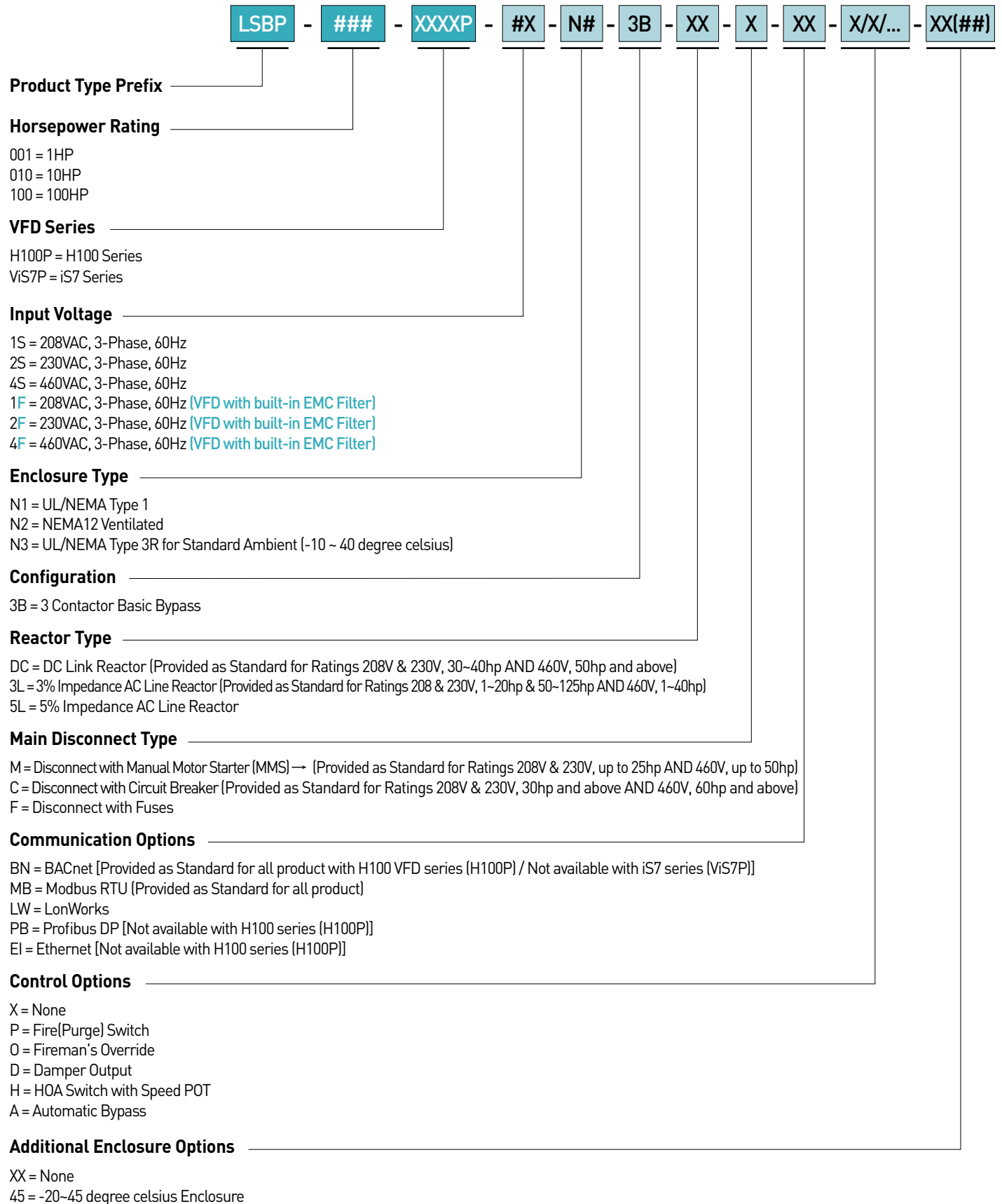
### Codes and Standards

UL, cUL Listed per UL508A
Conforms to applicable NEMA ICS, NFPA, & IEC Standards

### Electrical

Input Voltage: Nominal - Phase	208VAC, 230VAC, 460VAC - 3 Phase
Input Voltage: Tolerance, Unbalance	+/- 10%, ≤3%
Input Frequency	60Hz +/-5%
Displacement Power Factor	≥0.97
Output Frequency	0.00 ~ 400.00Hz
Motor Control Method	V/F for all capacity range Sensorless vector control available on 208V/230V 30~125HP, 460V 150~400HP
PWM Switch Frequency	1 ~ 15kHz (1 ~ 40HP) 1 ~ 10kHz (50 ~ 75HP) 1 ~ 7kHz (100 ~ 125HP) 1 ~ 5kHz (150 ~ 400HP)
Drive Overload Capacity	120% for 1 min - 208V/230V: 1~25HP, 460V: 1~120HP 110% for 1 min - 208V/230V 30~125HP, 460V 150~400HP
Motor Overload	Programmable overload
Torque Boost	Manual 0~15% boost, automatic torque boost available
Speed Reference	Keypad, 0~10V, -10~10V, 0~20mA, RS485, Fieldbus, Pulse - 208V/230V: 1~25HP, 460V: 1~120HP Keypad, 0~10V, -10~10V, 0~20mA, RS485, Fieldbus - 208V/230V 30~125HP, 460V 150~400HP
Speed Reference Resolution	Digital command: 0.01Hz Analog command: 0.06Hz (60Hz standard)
Acceleration/Deceleration Time	0.00 ~ 6000.0 seconds
Jump Frequencies	3 programmable jump frequency
Output Signals	Qty 4: N.O. dry contacts rated 5A @ 230V max, functionality: Drive Run, Drive Fault, Bypass Run, & Damper Control (for Fan) Qty 1: N.O. dry contacts rated 0.3A @ 230V max, functionality: Drive Run (for Pump) Qty 1: Form C dry contacts rated 0.3A @ 230V max, functionality: Drive Fault (for Pump) Qty 1: 0 to 10VDC or 4 to 20mA, user selectable programmable analog signal (for both Fan & Pump)

## LSBP Bypass Panels Model Number Structure



# LSBP Bypass Package

## Description of Options

### Configuration

(3): 3-contactor bypass with drive isolation provides the ability to run the motor across the line or from the drive. Standard package includes "Drive-Off-Bypass" switch, "Hand-Off-Auto" switch, 3% AC line reactor, "Power On", "Bypass Run" and "Motor Overload" indicating lights.

### VFD Series

(H100): 208V & 230V / 1-25HP, 480V / 1-125HP (Normal Duty)  
(iS7): 208V & 230V / 30-125HP, 480V / 150-400HP (Normal Duty)

### Enclosure Type

(N1): UL/NEMA Type 1 enclosures for indoor use to provide a degree of protection against access to hazardous parts and entry of foreign objects.  
(N2): UL/NEMA Type 12 ventilated enclosures for indoor use to provide a degree of protection against access to hazardous parts, dust, dirt, foreign objects and dripping noncorrosive liquids.  
(N3): UL/NEMA Type 3R enclosures for outdoor use to provide a degree of protection against rain, sleet, snow, that will be undamaged by the external formation of ice or corrosion.

### Harmonic Options

(DC): DC link reactor used to reduce AC input line harmonics, absorb voltage/current spikes, reduce DC bus capacitor ripple, and help solve nuisance over-voltage trips. Provided as standard on 208/230V, 30-40HP and 460V 50HP and above.  
(3L): 3% impedance AC line reactor for improving the drive's power factor, lowering harmonics, and absorbing power line disturbances.  
(5L): 5% impedance AC line reactor for improving the drive's power factor, greater harmonic reduction than the 3% reactor and absorbing power line disturbances.

### Power Options

(M): Manual motor starter input disconnect. Standard for 208/230V up to 25HP and 460V up to 50HP.  
(C): Input circuit breaker disconnect providing branch circuit protection with rotary operating mechanism. Standard for 208/230V, 30HP and above and 460V, 60HP and above.  
(F): Class J drive input fuses, 100kA interrupt rating providing drive branch circuit protection.

### Communication Options

(BN): BACnet. Standard for H100P series. Not available for ViS7P series.  
(MB): Modbus RTU RS-485 network protocol. Provided as standard for all product.  
(LW): LonWorks.  
(PB): Profibus DP. Not available with H100P series.  
(EL): EtherNet/IP. Not available with H100P series.

### Control Options

(X): No Option  
(D): Damper Control Output  
(H): Hand/Off/Auto Switch with Speed Potentiometer  
(O): Fireman's Override  
(P): Fire Purge Switch  
(A): Automatic Transfer to Bypass

### Enclosure Options

(XX): No Option  
(45): -20-45 degree Celsius ambient rating with additional cooling and an enclosure space heater.



## List Price (NEMA1, 208V / 230V)

		LSBP Bypass				Contactor Configuration	Harmonic Options			Power Options			Additional Enclosure Options
VFD Series	Voltage	HP	Frame Size	NEMA1	List Price	3 contactor bypass (add '-3B')	DC Reactor (add '-DC')	3% AC Line Reactor (add '-3L')	5% AC Line Reactor (add '-5L')	Circuit Breaker (add '-C')	Fuses (add '-F')	MMS (add '-M')	-20-45 degrees C Enclosure (add '-45')
H100	208V	1	H1	LSBP001H100P-1S-N1-3B	\$ 2,609.00	Included as Standard	\$ 44.00	Included as Standard	\$ 35.00	\$ 324.00	\$ 392.00	Included as Standard	\$ 622.00
		2		LSBP002H100P-1S-N1-3B	\$ 2,700.00		\$ 54.00		\$ 35.00	\$ 324.00	\$ 392.00		\$ 662.00
		3		LSBP003H100P-1S-N1-3B	\$ 2,715.00		\$ 49.00		\$ 53.00	\$ 324.00	\$ 392.00		\$ 676.00
		5		LSBP005H100P-1S-N1-3B	\$ 2,999.00		\$ 60.00		\$ 35.00	\$ 324.00	\$ 392.00		\$ 1,054.00
		7.5	LSBP007H100P-1S-N1-3B	\$ 3,421.00	\$ 105.00		\$ 53.00		\$ 324.00	\$ 392.00	\$ 1,108.00		
		10	H2	LSBP010H100P-1S-N1-3B	\$ 3,966.00		\$ 115.00		\$ 71.00	\$ 270.00	\$ 351.00		\$ 1,068.00
		15		LSBP015H100P-1S-N1-3B	\$ 4,726.00		\$ 121.00		\$ 71.00	\$ 189.00	\$ 392.00		\$ 1,203.00
		20	LSBP020H100P-1S-N1-3B	\$ 5,409.00	\$ 180.00		\$ 124.00		\$ 189.00	\$ 392.00	\$ 1,554.00		
	25	H3	LSBP025H100P-1S-N1-3B	\$ 6,270.00	\$ 92.00	\$ 88.00	\$ 189.00	\$ 392.00	\$ 1,595.00				
	230V	1	H1	LSBP001H100P-2S-N1-3B	\$ 2,609.00	Included as Standard	\$ 44.00	Included as Standard	\$ 35.00	\$ 324.00	\$ 392.00	Included as Standard	\$ 622.00
		2		LSBP002H100P-2S-N1-3B	\$ 2,700.00		\$ 54.00		\$ 35.00	\$ 324.00	\$ 392.00		\$ 662.00
		3		LSBP003H100P-2S-N1-3B	\$ 2,715.00		\$ 49.00		\$ 53.00	\$ 324.00	\$ 392.00		\$ 676.00
		5		LSBP005H100P-2S-N1-3B	\$ 2,999.00		\$ 60.00		\$ 35.00	\$ 324.00	\$ 392.00		\$ 1,054.00
		7.5	LSBP007H100P-2S-N1-3B	\$ 3,421.00	\$ 105.00		\$ 53.00		\$ 324.00	\$ 392.00	\$ 1,108.00		
		10	H2	LSBP010H100P-2S-N1-3B	\$ 3,966.00		\$ 115.00		\$ 71.00	\$ 270.00	\$ 351.00		\$ 1,068.00
		15		LSBP015H100P-2S-N1-3B	\$ 4,726.00		\$ 121.00		\$ 71.00	\$ 189.00	\$ 392.00		\$ 1,203.00
20		LSBP020H100P-2S-N1-3B	\$ 5,409.00	\$ 180.00	\$ 124.00		\$ 189.00		\$ 392.00	\$ 1,554.00			
25	H3	LSBP025H100P-2S-N1-3B	\$ 6,270.00	\$ 92.00	\$ 88.00	\$ 189.00	\$ 392.00	\$ 1,595.00					
IS7	208V	30	S1	LSBP030VIS7P-1F-N1-3B	\$ 6,727.00	Included as Standard	Included as Standard	\$ 690.00	\$ 775.00	Included as Standard	\$ 703.00	Not available	\$ 2,054.00
		40		LSBP040VIS7P-1F-N1-3B	\$ 8,357.00		\$ 950.00	\$ 1,020.00	\$ 703.00		\$ 2,324.00		
		50		LSBP050VIS7P-1S-N1-3B	\$ 11,272.00		\$ 244.00	\$ 95.00	\$ 703.00		\$ 2,824.00		
		60	S2	LSBP060VIS7P-1S-N1-3B	\$ 15,577.00		\$ 244.00	\$ 110.00	\$ 838.00		\$ 3,730.00		
		75		LSBP075VIS7P-1S-N1-3B	\$ 17,277.00		\$ 608.00	\$ 316.00	\$ 838.00		\$ 4,014.00		
		100	S3	LSBP100VIS7P-1S-N1-3B	\$ 22,700.00		\$ 693.00	\$ 536.00	\$ 919.00		\$ 5,338.00		
		125		LSBP125VIS7P-1S-N1-3B	\$ 25,570.00		\$ 656.00	\$ 252.00	\$ 1,541.00		\$ 5,784.00		
	230V	30	S1	LSBP030VIS7P-2F-N1-3B	\$ 6,727.00	Included as Standard	Included as Standard	\$ 690.00	\$ 775.00	Included as Standard	\$ 703.00	Not available	\$ 2,054.00
		40		LSBP040VIS7P-2F-N1-3B	\$ 8,357.00		\$ 950.00	\$ 1,020.00	\$ 703.00		\$ 2,324.00		
		50		LSBP050VIS7P-2S-N1-3B	\$ 11,272.00		\$ 244.00	\$ 95.00	\$ 703.00		\$ 2,824.00		
		60	S2	LSBP060VIS7P-2S-N1-3B	\$ 15,577.00		\$ 244.00	\$ 110.00	\$ 838.00		\$ 3,730.00		
		75		LSBP075VIS7P-2S-N1-3B	\$ 17,277.00		\$ 608.00	\$ 316.00	\$ 838.00		\$ 4,014.00		
		100	S3	LSBP100VIS7P-2S-N1-3B	\$ 22,700.00		\$ 693.00	\$ 536.00	\$ 919.00		\$ 5,338.00		
		125		LSBP125VIS7P-2S-N1-3B	\$ 25,570.00		\$ 656.00	\$ 252.00	\$ 1,541.00		\$ 5,784.00		

# LSBP Bypass Package

## List Price (NEMA1, 460V)

LSBP Bypass						Contactor Configuration	Harmonic Options			Power Options			Additional Enclosure Options		
VFD Series	Voltage	HP	Frame Size	NEMA1	List Price	3 contactor bypass (add '-3B')	DC Reactor (add '-DC')	3% AC Line Reactor (add '-3L')	5% AC Line Reactor (add '-5L')	Circuit Breaker (add '-C')	Fuses (add '-F')	MMS (add '-M')	-20-45 degrees C Enclosure (add '-45')		
H100	460V	1	H1	LSBP001H100P-4F-N1-3B	\$ 2,397.00	Included as Standard	\$ 181.00	Included as Standard	\$ 19.00	\$ 324.00	\$ 392.00	Included as Standard	\$ 622.00		
		2		LSBP002H100P-4F-N1-3B	\$ 2,400.00		\$ 181.00		\$ 19.00	\$ 324.00	\$ 392.00		\$ 622.00		
		3		LSBP003H100P-4F-N1-3B	\$ 2,615.00		\$ 176.00		\$ 27.00	\$ 324.00	\$ 392.00		\$ 662.00		
		5		LSBP005H100P-4F-N1-3B	\$ 2,805.00		\$ 176.00		\$ 27.00	\$ 324.00	\$ 392.00		\$ 676.00		
		7.5		LSBP007H100P-4F-N1-3B	\$ 3,172.00		\$ 189.00		\$ 40.00	\$ 270.00	\$ 338.00		\$ 973.00		
		10		LSBP010H100P-4F-N1-3B	\$ 3,377.00		\$ 203.00		\$ 54.00	\$ 270.00	\$ 338.00		\$ 1,014.00		
		15		LSBP015H100P-4F-N1-3B	\$ 3,577.00		\$ 270.00		\$ 54.00	\$ 270.00	\$ 459.00		\$ 1,108.00		
		20	H2	LSBP020H100P-4F-N1-3B	\$ 3,977.00		\$ 297.00	\$ 135.00	\$ 270.00	\$ 459.00	\$ 1,405.00				
		25		LSBP025H100P-4F-N1-3B	\$ 4,722.00		\$ 351.00	\$ 135.00	\$ 189.00	\$ 459.00	\$ 1,541.00				
		30	H3	LSBP030H100P-4F-N1-3B	\$ 5,272.00		\$ 351.00	\$ 81.00	\$ 189.00	\$ 459.00	\$ 1,541.00				
		40		LSBP040H100P-4F-N1-3B	\$ 5,877.00		\$ 432.00	\$ 283.00	\$ 189.00	\$ 459.00	\$ 1,568.00				
		50	H4	LSBP050H100P-4F-N1-3B	\$ 7,277.00		Included as Standard	\$ 500.00	\$ 730.00	\$ 189.00	\$ 703.00	\$ 1,824.00			
		60		LSBP060H100P-4F-N1-3B	\$ 8,777.00			Included as Standard	\$ 500.00	\$ 730.00	Included as Standard	\$ 703.00	\$ 2,027.00		
		75		LSBP075H100P-4F-N1-3B	\$ 10,607.00				\$ 970.00	\$ 1,450.00		\$ 703.00	Not available	\$ 2,459.00	
		100	H5	LSBP100H100P-4S-N1-3B	\$ 12,267.00		Included as Standard	\$ 1,100.00	\$ 1,500.00	Included as Standard	\$ 703.00	\$ 3,068.00			
		120		LSBP125H100P-4S-N1-3B	\$ 14,737.00			\$ 1,350.00	\$ 1,635.00		\$ 838.00	\$ 3,946.00			
iS7	460V	150	S3	LSBP150VIS7P-4S-N1-3B	\$ 22,179.00	Included as Standard	Included as Standard	\$ 1,600.00	\$ 2,000.00	Included as Standard	\$ 838.00	Not available	\$ 5,703.00		
		200		LSBP200VIS7P-4S-N1-3B	\$ 24,700.00						\$ 2,000.00		\$ 2,620.00	\$ 838.00	\$ 6,270.00
		250	S4	LSBP250VIS7P-4S-N1-3B	Check with Supplier			Included as Standard	Check with Supplier		Check with Supplier		Check with Supplier	Check with Supplier	Check with Supplier
		300		LSBP300VIS7P-4S-N1-3B											
		350		LSBP350VIS7P-4S-N1-3B											
		400		LSBP400VIS7P-4S-N1-3B											

## List Price (NEMA12, 208V / 230V)

		LSBP Bypass				Contactor Configuration	Harmonic Options			Power Options			Additional Enclosure Options				
VFD Series	Voltage	HP	Frame Size	NEMA12	List Price	3 contactor bypass (add '-3B')	DC Reactor (add '-DC')	3% AC Line Reactor (add '-3L')	5% AC Line Reactor (add '-5L')	Circuit Breaker (add '-C')	Fuses (add '-F')	MMS (add '-M')	-20-45degrees C Enclosure (add '-45')				
H100	208V	1	H6	LSBP001H100P-1S-N2-3B	\$ 3,077.00	Included as Standard	\$ 44.00	Included as Standard	\$ 35.00	\$ 324.00	\$ 392.00	Included as Standard	\$ 622.00				
		2		LSBP002H100P-1S-N2-3B	\$ 3,163.00		\$ 54.00		\$ 35.00	\$ 324.00	\$ 392.00		\$ 662.00				
		3		LSBP003H100P-1S-N2-3B	\$ 3,171.00		\$ 49.00		\$ 53.00	\$ 324.00	\$ 392.00		\$ 676.00				
		5		LSBP005H100P-1S-N2-3B	\$ 3,362.00		\$ 60.00		\$ 35.00	\$ 324.00	\$ 392.00		\$ 1,054.00				
		7.5		LSBP007H100P-1S-N2-3B	\$ 3,671.00		\$ 105.00		\$ 53.00	\$ 324.00	\$ 392.00		\$ 1,108.00				
		10		LSBP010H100P-1S-N2-3B	\$ 4,277.00		\$ 115.00		\$ 71.00	\$ 270.00	\$ 351.00		\$ 1,068.00				
		15		LSBP015H100P-1S-N2-3B	\$ 4,777.00		\$ 121.00		\$ 71.00	\$ 189.00	\$ 392.00		\$ 1,203.00				
		20		LSBP020H100P-1S-N2-3B	\$ 5,758.00		\$ 180.00		\$ 124.00	\$ 189.00	\$ 392.00		\$ 1,554.00				
		25		LSBP025H100P-1S-N2-3B	\$ 6,446.00		\$ 92.00		\$ 88.00	\$ 189.00	\$ 392.00		\$ 1,595.00				
	230V	H6	1	LSBP001H100P-2S-N2-3B	\$ 3,077.00	Included as Standard	\$ 44.00	Included as Standard	\$ 35.00	\$ 324.00	\$ 392.00	Included as Standard	\$ 622.00				
			2	LSBP002H100P-2S-N2-3B	\$ 3,163.00		\$ 54.00		\$ 35.00	\$ 324.00	\$ 392.00		\$ 662.00				
			3	LSBP003H100P-2S-N2-3B	\$ 3,171.00		\$ 49.00		\$ 53.00	\$ 324.00	\$ 392.00		\$ 676.00				
			5	LSBP005H100P-2S-N2-3B	\$ 3,362.00		\$ 60.00		\$ 35.00	\$ 324.00	\$ 392.00		\$ 1,054.00				
			7.5	LSBP007H100P-2S-N2-3B	\$ 3,671.00		\$ 105.00		\$ 53.00	\$ 324.00	\$ 392.00		\$ 1,108.00				
			10	LSBP010H100P-2S-N2-3B	\$ 4,277.00		\$ 115.00		\$ 71.00	\$ 270.00	\$ 351.00		\$ 1,068.00				
			15	LSBP015H100P-2S-N2-3B	\$ 4,777.00		\$ 121.00		\$ 71.00	\$ 189.00	\$ 392.00		\$ 1,203.00				
			20	LSBP020H100P-2S-N2-3B	\$ 5,758.00		\$ 180.00		\$ 124.00	\$ 189.00	\$ 392.00		\$ 1,554.00				
			25	LSBP025H100P-2S-N2-3B	\$ 6,446.00		\$ 92.00		\$ 88.00	\$ 189.00	\$ 392.00		\$ 1,595.00				
i57	208V	30	S1	LSBP030VIS7P-1F-N2-3B	\$ 7,886.00	Included as Standard	Included as Standard	\$ 690.00	\$ 775.00	Included as Standard	\$ 703.00	Not available	\$ 2,054.00				
		40		LSBP040VIS7P-1F-N2-3B	\$ 9,977.00			\$ 950.00	\$ 1,020.00		\$ 703.00		\$ 2,324.00				
		50		LSBP050VIS7P-1S-N2-3B	\$ 12,859.00			\$ 244.00	\$ 95.00		\$ 703.00		\$ 2,824.00				
		60	S2	LSBP060VIS7P-1S-N2-3B	\$ 16,777.00		\$ 244.00	\$ 110.00	\$ 838.00		\$ 3,730.00						
		75		LSBP075VIS7P-1S-N2-3B	\$ 19,727.00		\$ 608.00	\$ 316.00	\$ 838.00		\$ 4,014.00						
		100	S3	LSBP100VIS7P-1S-N2-3B	\$ 24,352.00		\$ 693.00	\$ 536.00	\$ 919.00		\$ 5,338.00						
		125		LSBP125VIS7P-1S-N2-3B	\$ 27,220.00		\$ 656.00	\$ 252.00	\$ 1,541.00		\$ 5,784.00						
		230V	S1	30	LSBP030VIS7P-2F-N2-3B		\$ 7,886.00	Included as Standard	Included as Standard		\$ 690.00		\$ 775.00	Included as Standard	\$ 703.00	Not available	\$ 2,054.00
				40	LSBP040VIS7P-2F-N2-3B		\$ 9,977.00				\$ 950.00		\$ 1,020.00		\$ 703.00		\$ 2,324.00
	50			LSBP050VIS7P-2S-N2-3B	\$ 12,859.00	\$ 244.00	\$ 95.00			\$ 703.00	\$ 2,824.00						
	60		S2	LSBP060VIS7P-2S-N2-3B	\$ 16,777.00	\$ 244.00	\$ 110.00		\$ 838.00	\$ 3,730.00							
	75			LSBP075VIS7P-2S-N2-3B	\$ 19,727.00	\$ 608.00	\$ 316.00		\$ 838.00	\$ 4,014.00							
	100		S3	LSBP100VIS7P-2S-N2-3B	\$ 24,352.00	\$ 693.00	\$ 536.00		\$ 919.00	\$ 5,338.00							
	125			LSBP125VIS7P-2S-N2-3B	\$ 27,220.00	\$ 656.00	\$ 252.00		\$ 1,541.00	\$ 5,784.00							

# LSBP Bypass Package

## List Price (NEMA12, 460V)

LSBP Bypass					Contactor Configuration	Harmonic Options			Power Options			Additional Enclosure Options		
VFD Series	Voltage	HP	Frame Size	NEMA12	List Price	3 contactor bypass (add '-3B')	DC Reactor (add '-DC')	3% AC Line Reactor (add '-3L')	5% AC Line Reactor (add '-5L')	Circuit Breaker (add '-C')	Fuses (add '-F')	MMS (add '-M')	-20-45 degrees C Enclosure (add '-45')	
H100	460V	1	H6	LSBP001H100P-4F-N2-3B	\$ 2,678.00	Included as Standard	\$ 181.00	Included as Standard	\$ 19.00	\$ 324.00	\$ 392.00	Included as Standard	\$ 622.00	
		2		LSBP002H100P-4F-N2-3B	\$ 2,799.00		\$ 181.00		\$ 19.00	\$ 324.00	\$ 392.00		\$ 622.00	
		3		LSBP003H100P-4F-N2-3B	\$ 2,878.00		\$ 176.00		\$ 27.00	\$ 324.00	\$ 392.00		\$ 662.00	
		5		LSBP005H100P-4F-N2-3B	\$ 3,215.00		\$ 176.00		\$ 27.00	\$ 324.00	\$ 392.00		\$ 676.00	
		7.5		LSBP007H100P-4F-N2-3B	\$ 3,277.00		\$ 189.00		\$ 40.00	\$ 270.00	\$ 338.00		\$ 973.00	
		10		LSBP010H100P-4F-N2-3B	\$ 3,577.00		\$ 203.00		\$ 54.00	\$ 270.00	\$ 338.00		\$ 1,014.00	
		15		LSBP015H100P-4F-N2-3B	\$ 3,834.00		\$ 270.00		\$ 54.00	\$ 270.00	\$ 459.00		\$ 1,108.00	
		20	H7	LSBP020H100P-4F-N2-3B	\$ 4,491.00		\$ 297.00	\$ 135.00	\$ 270.00	\$ 459.00	\$ 1,405.00			
		25		LSBP025H100P-4F-N2-3B	\$ 5,238.00		\$ 351.00	\$ 135.00	\$ 189.00	\$ 459.00	\$ 1,541.00			
		30		LSBP030H100P-4F-N2-3B	\$ 5,970.00		\$ 351.00	\$ 81.00	\$ 189.00	\$ 459.00	\$ 1,541.00			
		40		LSBP040H100P-4F-N2-3B	\$ 6,295.00		\$ 432.00	\$ 283.00	\$ 189.00	\$ 459.00	\$ 1,568.00			
		50	H8	LSBP050H100P-4F-N2-3B	\$ 7,673.00		Included as Standard	\$ 500.00	\$ 730.00	\$ 189.00	\$ 703.00	\$ 1,824.00		
		60		LSBP060H100P-4F-N2-3B	\$ 10,010.00			\$ 500.00	\$ 730.00	Included as Standard	\$ 703.00	\$ 2,027.00		
		75		LSBP075H100P-4F-N2-3B	\$ 11,105.00			\$ 970.00	\$ 1,450.00		\$ 703.00	Not available	\$ 2,459.00	
		100	H9	LSBP100H100P-4S-N2-3B	\$ 14,189.00		\$ 1,100.00	\$ 1,500.00	Included as Standard	\$ 703.00	\$ 3,068.00			
120	LSBP125H100P-4S-N2-3B	\$ 17,777.00		\$ 1,350.00	\$ 1,635.00	\$ 838.00	\$ 3,946.00							
iS7	460V	150	S3	LSBP150VIS7P-4S-N2-3B	\$ 25,727.00	Included as Standard	Included as Standard		\$ 1,600.00	\$ 2,000.00	Included as Standard	Not available	\$ 5,703.00	
		200		LSBP200VIS7P-4S-N2-3B	\$ 27,997.00				\$ 2,000.00	\$ 2,620.00			\$ 838.00	\$ 6,270.00
		250	S4	LSBP250VIS7P-4S-N2-3B	Check with Supplier				Check with Supplier	Check with Supplier		Check with Supplier		Check with Supplier
		300		LSBP300VIS7P-4S-N2-3B										
		350		LSBP350VIS7P-4S-N2-3B										
		400		LSBP400VIS7P-4S-N2-3B										

# List Price (NEMA3R, 208V / 230V)

		LSBP Bypass				Contactor Configuration	Harmonic Options			Power Options			Additional Enclosure Options
VFD Series	Voltage	HP	Frame Size	NEMA3R	List Price	3 contactor bypass (add '-3B')	DC Reactor (add '-DC')	3% AC Line Reactor (add '-3L')	5% AC Line Reactor (add '-5L')	Circuit Breaker (add '-C')	Fuses (add '-F')	MMS (add '-M')	-20-45 degrees C Enclosure (add '-45')
H100	208V	1	H10	LSBP001H100P-1S-N3-3B	\$ 3,797.00	Included as Standard	\$ 44.00	Included as Standard	\$ 35.00	\$ 324.00	\$ 392.00	Included as Standard	\$ 622.00
		2		LSBP002H100P-1S-N3-3B	\$ 3,914.00		\$ 54.00		\$ 35.00	\$ 324.00	\$ 392.00		\$ 662.00
		3		LSBP003H100P-1S-N3-3B	\$ 3,999.00		\$ 49.00		\$ 53.00	\$ 324.00	\$ 392.00		\$ 676.00
		5		LSBP005H100P-1S-N3-3B	\$ 4,227.00		\$ 60.00		\$ 35.00	\$ 324.00	\$ 392.00		\$ 1,054.00
		7.5	LSBP007H100P-1S-N3-3B	\$ 4,570.00	\$ 105.00		\$ 53.00		\$ 324.00	\$ 392.00	\$ 1,108.00		
		10	LSBP010H100P-1S-N3-3B	\$ 5,034.00	\$ 115.00		\$ 71.00		\$ 270.00	\$ 351.00	\$ 1,068.00		
		15	LSBP015H100P-1S-N3-3B	\$ 5,799.00	\$ 121.00		\$ 71.00		\$ 189.00	\$ 392.00	\$ 1,203.00		
		20	H11	LSBP020H100P-1S-N3-3B	\$ 7,299.00		\$ 180.00		\$ 124.00	\$ 189.00	\$ 392.00		\$ 1,554.00
		25		LSBP025H100P-1S-N3-3B	\$ 8,464.00		\$ 92.00		\$ 88.00	\$ 189.00	\$ 392.00		\$ 1,595.00
H100	230V	1	H10	LSBP001H100P-2S-N3-3B	\$ 3,797.00	Included as Standard	\$ 44.00	Included as Standard	\$ 35.00	\$ 324.00	\$ 392.00	Included as Standard	\$ 622.00
		2		LSBP002H100P-2S-N3-3B	\$ 3,914.00		\$ 54.00		\$ 35.00	\$ 324.00	\$ 392.00		\$ 662.00
		3		LSBP003H100P-2S-N3-3B	\$ 3,999.00		\$ 49.00		\$ 53.00	\$ 324.00	\$ 392.00		\$ 676.00
		5		LSBP005H100P-2S-N3-3B	\$ 4,227.00		\$ 60.00		\$ 35.00	\$ 324.00	\$ 392.00		\$ 1,054.00
		7.5	LSBP007H100P-2S-N3-3B	\$ 4,570.00	\$ 105.00		\$ 53.00		\$ 324.00	\$ 392.00	\$ 1,108.00		
		10	LSBP010H100P-2S-N3-3B	\$ 5,034.00	\$ 115.00		\$ 71.00		\$ 270.00	\$ 351.00	\$ 1,068.00		
		15	LSBP015H100P-2S-N3-3B	\$ 5,799.00	\$ 121.00		\$ 71.00		\$ 189.00	\$ 392.00	\$ 1,203.00		
		20	H11	LSBP020H100P-2S-N3-3B	\$ 7,299.00		\$ 180.00		\$ 124.00	\$ 189.00	\$ 392.00		\$ 1,554.00
		25		LSBP025H100P-2S-N3-3B	\$ 8,464.00		\$ 92.00		\$ 88.00	\$ 189.00	\$ 392.00		\$ 1,595.00
IS7	208V	30	S5	LSBP030VIS7P-1F-N3-3B	\$ 10,029.00	Included as Standard	Included as Standard	\$ 690.00	\$ 775.00	Included as Standard	\$ 703.00	Not available	\$ 2,054.00
		40		LSBP040VIS7P-1F-N3-3B	\$ 11,277.00			\$ 950.00	\$ 1,020.00		\$ 703.00		\$ 2,324.00
		50		LSBP050VIS7P-1S-N3-3B	\$ 14,799.00		\$ 244.00	\$ 95.00	\$ 703.00		\$ 2,824.00		
		60	S6	LSBP060VIS7P-1S-N3-3B	\$ 19,643.00		\$ 244.00	\$ 110.00	\$ 838.00		\$ 3,730.00		
		75		LSBP075VIS7P-1S-N3-3B	\$ 21,104.00		\$ 608.00	\$ 316.00	\$ 838.00		\$ 4,014.00		
		100	S7	LSBP100VIS7P-1S-N3-3B	\$ 27,779.00		\$ 693.00	\$ 536.00	\$ 919.00		\$ 5,338.00		
		125		LSBP125VIS7P-1S-N3-3B	\$ 31,000.00		\$ 656.00	\$ 252.00	\$ 1,541.00		\$ 5,784.00		
		IS7	230V	30	S5		LSBP030VIS7P-2F-N3-3B	\$ 10,029.00	Included as Standard		Included as Standard		\$ 690.00
40	LSBP040VIS7P-2F-N3-3B			\$ 11,277.00		\$ 950.00	\$ 1,020.00	\$ 703.00		\$ 2,324.00			
50	LSBP050VIS7P-2S-N3-3B			\$ 14,799.00		\$ 244.00	\$ 95.00	\$ 703.00		\$ 2,824.00			
60	S6			LSBP060VIS7P-2S-N3-3B	\$ 19,643.00	\$ 244.00	\$ 110.00	\$ 838.00		\$ 3,730.00			
75				LSBP075VIS7P-2S-N3-3B	\$ 21,104.00	\$ 608.00	\$ 316.00	\$ 838.00		\$ 4,014.00			
100	S7			LSBP100VIS7P-2S-N3-3B	\$ 27,779.00	\$ 693.00	\$ 536.00	\$ 919.00		\$ 5,338.00			
125				LSBP125VIS7P-2S-N3-3B	\$ 31,000.00	\$ 656.00	\$ 252.00	\$ 1,541.00		\$ 5,784.00			

# LSBP Bypass Package

## List Price (NEMA3R, 460V)

LSBP Bypass					Contactor Configuration	Harmonic Options			Power Options			Additional Enclosure Options			
VFD Series	Voltage	HP	Frame Size	NEMA3R	List Price	3 contactor bypass (add '-3B')	DC Reactor (add '-DC')	3% AC Line Reactor (add '-3L')	5% AC Line Reactor (add '-5L')	Circuit Breaker (add '-C')	Fuses (add '-F')	MMS (add '-M')	-20-45 degrees C Enclosure (add '-45')		
H100	460V	1	H10	LSBP001H100P-4F-N3-3B	\$ 3,670.00	Included as Standard	\$ 181.00	Included as Standard	\$ 19.00	\$ 324.00	\$ 392.00	Included as Standard	\$ 622.00		
		2		LSBP002H100P-4F-N3-3B	\$ 3,773.00		\$ 181.00		\$ 19.00	\$ 324.00	\$ 392.00		\$ 622.00		
		3		LSBP003H100P-4F-N3-3B	\$ 3,905.00		\$ 176.00		\$ 27.00	\$ 324.00	\$ 392.00		\$ 662.00		
		5		LSBP005H100P-4F-N3-3B	\$ 4,191.00		\$ 176.00		\$ 27.00	\$ 324.00	\$ 392.00		\$ 676.00		
		7.5		LSBP007H100P-4F-N3-3B	\$ 4,303.00		\$ 189.00		\$ 40.00	\$ 270.00	\$ 338.00		\$ 973.00		
		10		LSBP010H100P-4F-N3-3B	\$ 4,618.00		\$ 203.00		\$ 54.00	\$ 270.00	\$ 338.00		\$ 1,014.00		
		15		LSBP015H100P-4F-N3-3B	\$ 4,850.00		\$ 270.00		\$ 54.00	\$ 270.00	\$ 459.00		\$ 1,108.00		
		20	H11	LSBP020H100P-4F-N3-3B	\$ 6,369.00		\$ 297.00	\$ 135.00	\$ 270.00	\$ 459.00	\$ 1,405.00				
		25		LSBP025H100P-4F-N3-3B	\$ 7,122.00		\$ 351.00	\$ 135.00	\$ 189.00	\$ 459.00	\$ 1,541.00				
		30		LSBP030H100P-4F-N3-3B	\$ 7,553.00		\$ 351.00	\$ 81.00	\$ 189.00	\$ 459.00	\$ 1,541.00				
		40		LSBP040H100P-4F-N3-3B	\$ 7,777.00		\$ 432.00	\$ 283.00	\$ 189.00	\$ 459.00	\$ 1,568.00				
		50	H12	LSBP050H100P-4F-N3-3B	\$ 9,822.00		Included as Standard	\$ 500.00	\$ 730.00	\$ 189.00	\$ 703.00	\$ 1,824.00			
		60		LSBP060H100P-4F-N3-3B	\$ 11,471.00			\$ 500.00	\$ 730.00	Included as Standard	\$ 703.00	\$ 2,027.00			
		75		LSBP075H100P-4F-N3-3B	\$ 12,834.00			\$ 970.00	\$ 1,450.00		\$ 703.00	Not available	\$ 2,459.00		
		100	H13	LSBP100H100P-4S-N3-3B	\$ 15,580.00		\$ 1,100.00	\$ 1,500.00	Included as Standard	\$ 703.00	\$ 3,068.00				
120	LSBP125H100P-4S-N3-3B	\$ 18,715.00		\$ 1,350.00	\$ 1,635.00	\$ 838.00	\$ 3,946.00								
iS7	460V	150	S7	LSBP150VIS7P-4S-N3-3B	\$ 27,999.00	Included as Standard	Included as Standard		\$ 1,600.00	\$ 2,000.00	Included as Standard	Not available	\$ 5,703.00		
		200		LSBP200VIS7P-4S-N3-3B	\$ 31,507.00				\$ 2,000.00	\$ 2,620.00			\$ 838.00	\$ 6,270.00	
		250	S8	LSBP250VIS7P-4S-N3-3B	Check with Supplier				Check with Supplier	Check with Supplier			Check with Supplier		Check with Supplier
		300		LSBP300VIS7P-4S-N3-3B											
		350		LSBP350VIS7P-4S-N3-3B											
		400		LSBP400VIS7P-4S-N3-3B											

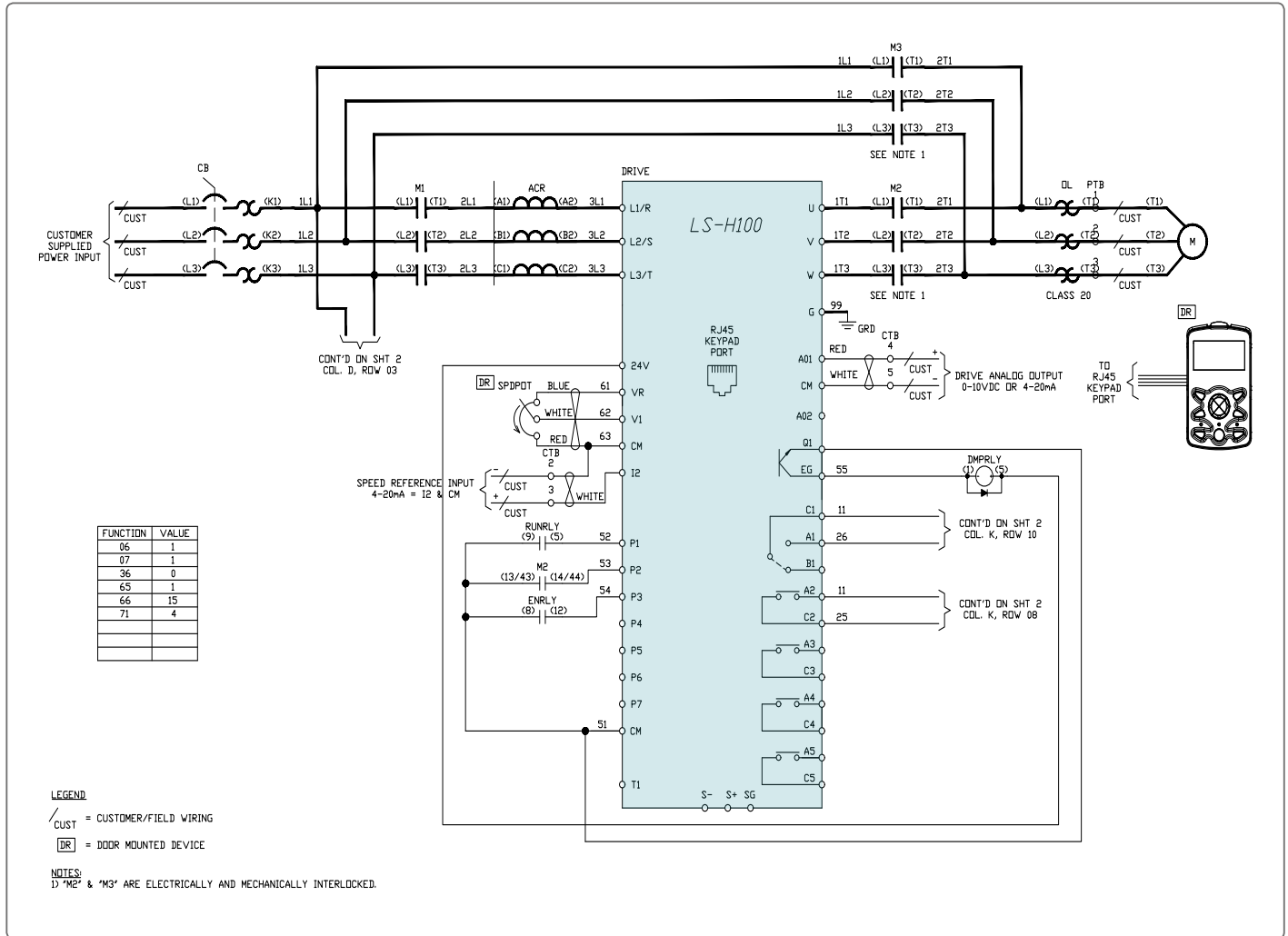
## LSBP Bypass - Option List Price

Description	Available Range	Option Code	LSIS USA List Price
<b>Communication Option</b>			
BACnet	208V/230V: 1~25HP 460V: 1~120HP	BN	\$ -
Modbus-RTU	ALL	MB	\$ -
LonWorks	ALL	LW	\$ 217.00
Profibus DP	208V/230V: 30~125HP 460V: 150~400HP	PB	\$ 286.00
Ethernet IP/Modbus TCP	208V/230V: 30~125HP 460V: 150~400HP	EI	\$ 252.00
<b>Control Options</b>			
No Option	ALL	X	\$ -
Fire(Purge) Switch		P	\$ 122.00
Fireman's Override *		O	\$ 108.00
Damper Output *		D	\$ 122.00
HOA Switch with Speed POT		H	\$ 189.00
Automatic Bypass *		A	\$ 176.00
<b>Additional Enclosure Options</b>			
No Option	ALL	XX	\$ -

\* : The LSBP Bypass with H100 drive (H100P) offers Fireman's Override, Damper Output, and Automatic Bypass as standard

# LSBP Bypass Package

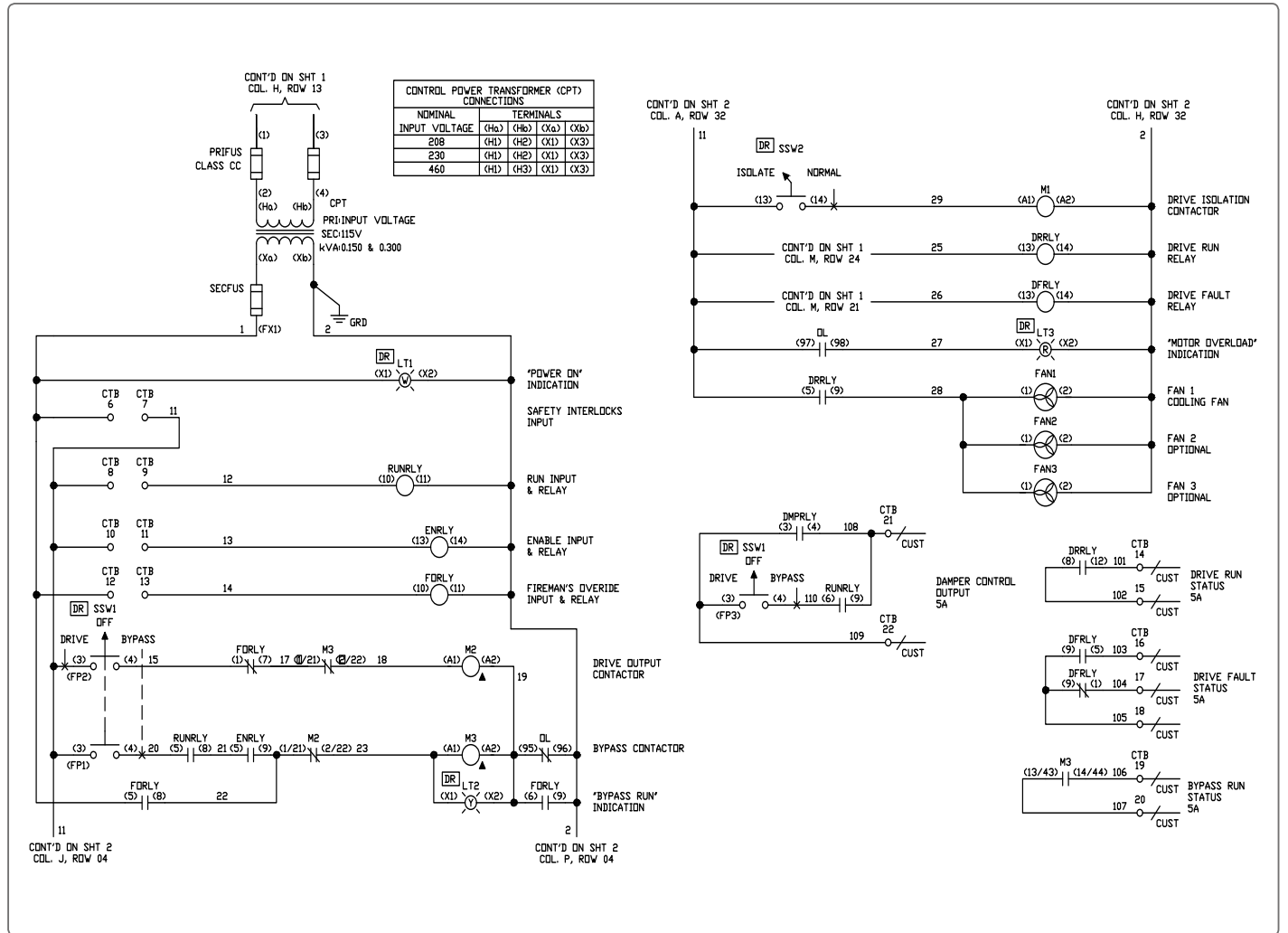
## Main Circuit Overview



Terminal	Description	Function
L1	AC Power Input Terminal	Main Supply AC POWER Connections
L2		
L3		
T1	Motor Output Terminals	3-Phase Induction Motor Wiring Connections
T2		
T3		
CB	Manual Motor Starter (MMS) or Molded Case Circuit Breaker	
M1	Input Contactor	VFD Isolation Contactor
M2	Output Contactor	VFD Mode Output Contactor
M3	Bypass Contactor	Across the Line Bypass Contactor
ACR	AC Reactor	3% or 5% AC Input Line Reactor
OL	Thermal Overload	Bimetallic Class 10 & Class 20 Overload Relay



# Control Circuit Overview



# LSBP Configured Package (Non-Bypass)

## General Specifications

### Environmental

Enclosure	Type 1, NEMA 12 Ventilated, Type 3R
Ambient Temperature	+14°F to +104°F [-10°C to +40°C] for Type 1 & NEMA 12Vent. -4°F to +113°F [-20°C to +45°C] for Type 3R
Storage Temperature	+5°F to +140°F [-15°C to +60°C]
Humidity	+5% to 95% with no condensation
Altitude	0 to 3,300 ft. (1,000m) without derating, derate output current by 1% for each additional 330 ft (100m)

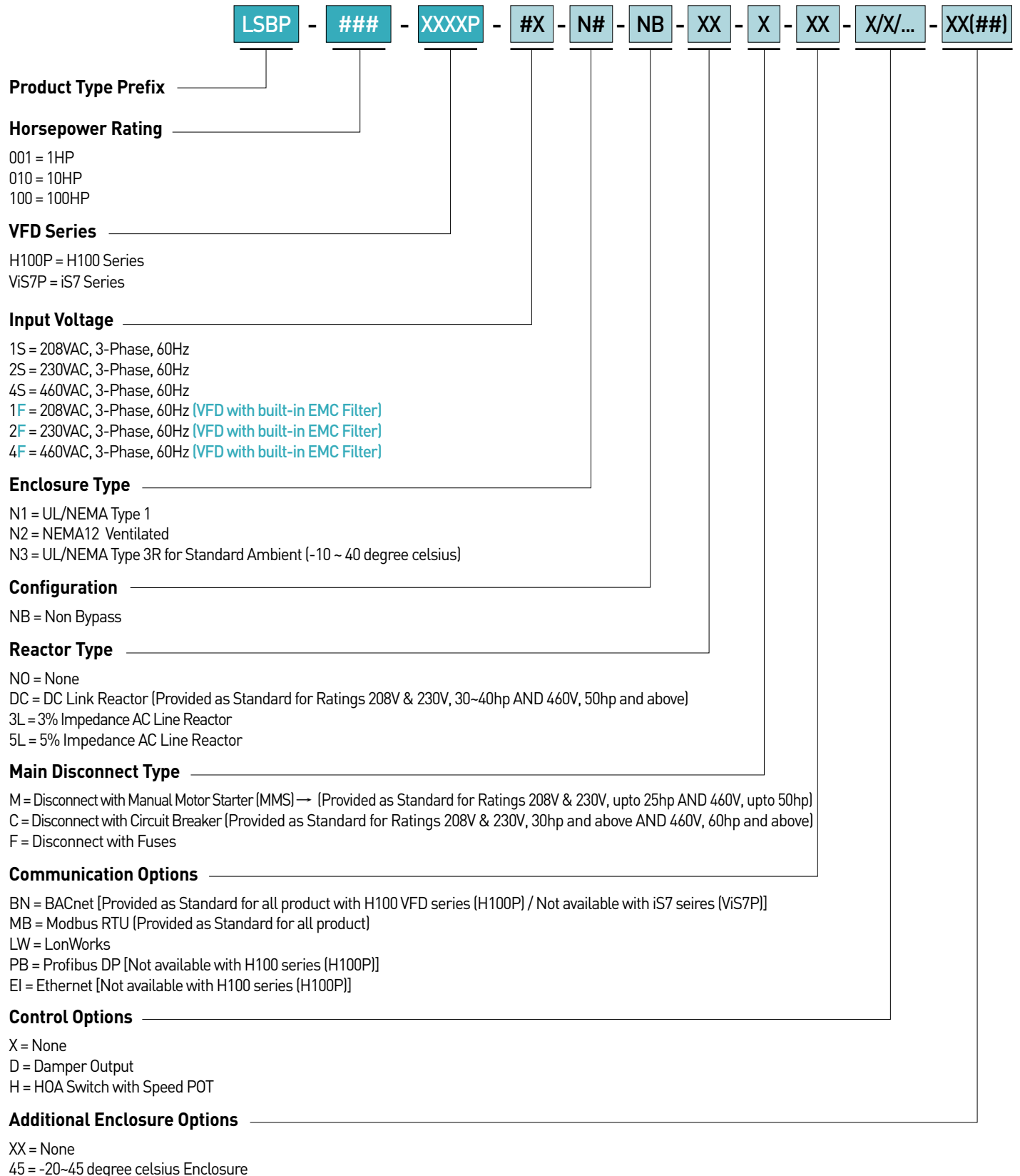
### Codes and Standards

UL, cUL Listed per UL508A
Conforms to applicable NEMA ICS, NFPA, & IEC Standards

### Electrical

Input Voltage: Nominal - Phase	208VAC, 230VAC, 460VAC - 3 Phase
Input Voltage: Tolerance, Unbalance	+/- 10%, ≤3%
Input Frequency	60Hz +/-5%
Displacement Power Factor	≥0.97
Output Frequency	0.00 ~ 400.00Hz
Motor Control Method	V/F for all capacity range Sensorless vector control available on 208V/230V 30~125HP, 460V 150~400HP
PWM Switch Frequency	1 ~ 15kHz (1 ~ 40HP) 1 ~ 10kHz (50 ~ 75HP) 1 ~ 7kHz (100 ~ 125HP) 1 ~ 5kHz (150 ~ 400HP)
Drive Overload Capacity	120% for 1 min - 208V/230V: 1~25HP, 460V: 1~120HP 110% for 1 min - 208V/230V 30~125HP, 460V 150~400HP
Motor Overload	Programmable overload
Torque Boost	Manual 0~15% boost, automatic torque boost available
Speed Reference	Keypad, 0~10V, -10~10V, 0~20mA, RS485, Fieldbus, Pulse - 208V/230V: 1~25HP, 460V: 1~120HP Keypad, 0~10V, -10~10V, 0~20mA, RS485, Fieldbus - 208V/230V 30~125HP, 460V 150~400HP
Speed Reference Resolution	Digital command: 0.01Hz Analog command: 0.06Hz (60Hz standard)
Acceleration/Deceleration Time	0.00 ~ 6000.0 seconds
Jump Frequencies	3 programmable jump frequency
Output Signals	Qty 1: N.O. dry contacts rated 0.3A @ 230V max, functionality: Drive Run Qty 1: Form C dry contacts rated 0.3A @ 230V max, functionality: Drive Fault Qty 1: N.O. dry contacts rated 5A @ 230V max, functionalit y: Damper Control Qty 1: 0 to 10VDC or 4 to 20mA, user selectable programmable analog signal

## LSBP Non-Bypass Panels Model Number Structure



# LSBP Configured Package (Non-Bypass)

## Description of Options

### Configuration

(NB): The LSLV engineered drive package provides a high performance VFD in a NEMA 1, 3R or type 12 enclosure, with a lockable input disconnect and commonly selected options. The engineered drive has been designed to offer configurations such as reactors, circuit breakers, input fuses and enclosure options to meet design specifications.

### VFD Series

(H100): 208V & 230V / 1-25HP, 480V / 1-125HP (Normal Duty)

(iS7): 208V & 230V / 30-125HP, 480V / 150-400HP (Normal Duty)

### Enclosure Type

(N1): UL/NEMA Type 1 enclosures for indoor use to provide a degree of protection against access to hazardous parts and entry of foreign objects.

(N2): UL/NEMA Type 12 ventilated enclosures for indoor use to provide a degree of protection against access to hazardous parts, dust, dirt, foreign objects and dripping noncorrosive liquids.

(N3): UL/NEMA Type 3R enclosures for outdoor use to provide a degree of protection against rain, sleet, snow, that will be undamaged by the external formation of ice or corrosion.

### Harmonic Options

(DC): DC link reactor used to reduce AC input line harmonics, absorb voltage/current spikes, reduce DC bus capacitor ripple, and help solve nuisance over-voltage trips. Provided as standard on 208/230V, 30-40HP and 460V 50HP and above.

(3L): 3% impedance AC line reactor for improving the drive's power factor, lowering harmonics, and absorbing power line disturbances.

(5L): 5% impedance AC line reactor for improving the drive's power factor, greater harmonic reduction than the 3% reactor and absorbing power line disturbances.

### Power Options

(M): Manual motor starter input disconnect. Standard for 208/230V up to 25HP and 460V up to 50HP.

(C): Input circuit breaker disconnect providing branch circuit protection with rotary operating mechanism. Standard for 208/230V, 30HP and above and 460V, 60HP and above.

(F): Class J drive input fuses, 100kA interrupt rating providing drive branch circuit protection.

### Communication Options

(BN): BACnet. Standard for H100P series. Not available for ViS7P series.

(MB): Modbus RTU RS-485 network protocol. Provided as standard for all product.

(LW): LonWorks.

(PB): Profibus DP. Not available with H100P series.

(EI): EtherNet/IP. Not available with H100P series.

### Control Options

(X): No Option

(D): Damper Control Output

(H): Hand/Off/Auto Switch with Speed Potentiometer

### Enclosure Options

(XX): No Option

(45): -20-45 degree Celsius ambient rating with additional cooling and an enclosure space heater.

## List Price (NEMA1, 208V / 230V)

LSBP Non-Bypass						Contactor Configuration	Harmonic Options					Power Options		Additional Enclosure Options			
VFD Series	Voltage	HP	Frame Size	NEMA1	List Price	Non-bypass (add '-NB')	No THD Solution (for Non-bypass only '-NO')	DC Reactor (add '-DC')	3%ACLine Reactor (add '-3L')	5%ACLine Reactor (add '-5L')	Circuit Breaker (add '-C')	Fuses (add '-F')	MMS (add '-M')	-20-45 degrees C Enclosure (add '-45')			
H100	208V	1	H1	LSBP001H100P-1S-N1-NB	\$ 2,465.00	Non-bypass (add '-NB')	No THD Solution as Standard	\$ 257.00	\$ 212.00	\$ 247.00	\$ 324.00	\$ 392.00	Included as Standard	\$ 622.00			
		2		LSBP002H100P-1S-N1-NB	\$ 2,598.00			\$ 284.00	\$ 230.00	\$ 265.00	\$ 324.00	\$ 392.00		\$ 662.00			
		3		LSBP003H100P-1S-N1-NB	\$ 2,600.00			\$ 297.00	\$ 248.00	\$ 299.00	\$ 324.00	\$ 392.00		\$ 676.00			
		5		LSBP005H100P-1S-N1-NB	\$ 2,791.00			\$ 378.00	\$ 319.00	\$ 353.00	\$ 324.00	\$ 392.00		\$ 1,054.00			
		7.5		LSBP007H100P-1S-N1-NB	\$ 3,179.00			\$ 459.00	\$ 354.00	\$ 405.00	\$ 324.00	\$ 392.00		\$ 1,108.00			
		10	H2	LSBP010H100P-1S-N1-NB	\$ 3,710.00			\$ 486.00	\$ 372.00	\$ 440.00	\$ 270.00	\$ 351.00		\$ 1,068.00			
		15		LSBP015H100P-1S-N1-NB	\$ 4,411.00			\$ 581.00	\$ 460.00	\$ 530.00	\$ 189.00	\$ 392.00		\$ 1,203.00			
		20		LSBP020H100P-1S-N1-NB	\$ 5,032.00			\$ 676.00	\$ 496.00	\$ 620.00	\$ 189.00	\$ 392.00		\$ 1,554.00			
		25		H3	LSBP025H100P-1S-N1-NB			\$ 5,811.00	\$ 730.00	\$ 637.00	\$ 725.00	\$ 189.00		\$ 392.00	\$ 1,595.00		
	230V	230V	1	H1	LSBP001H100P-2S-N1-NB	\$ 2,465.00	Non-bypass (add '-NB')	No THD Solution as Standard	\$ 257.00	\$ 212.00	\$ 247.00	\$ 324.00	\$ 392.00	Included as Standard	\$ 622.00		
			2		LSBP002H100P-2S-N1-NB	\$ 2,598.00			\$ 284.00	\$ 230.00	\$ 265.00	\$ 324.00	\$ 392.00		\$ 662.00		
			3		LSBP003H100P-2S-N1-NB	\$ 2,600.00			\$ 297.00	\$ 248.00	\$ 299.00	\$ 324.00	\$ 392.00		\$ 676.00		
			5		LSBP005H100P-2S-N1-NB	\$ 2,791.00			\$ 378.00	\$ 319.00	\$ 353.00	\$ 324.00	\$ 392.00		\$ 1,054.00		
			7.5		LSBP007H100P-2S-N1-NB	\$ 3,179.00			\$ 459.00	\$ 354.00	\$ 405.00	\$ 324.00	\$ 392.00		\$ 1,108.00		
			10	H2	LSBP010H100P-2S-N1-NB	\$ 3,710.00			\$ 486.00	\$ 372.00	\$ 440.00	\$ 270.00	\$ 351.00		\$ 1,068.00		
			15		LSBP015H100P-2S-N1-NB	\$ 4,411.00			\$ 581.00	\$ 460.00	\$ 530.00	\$ 189.00	\$ 392.00		\$ 1,203.00		
			20		LSBP020H100P-2S-N1-NB	\$ 5,032.00			\$ 676.00	\$ 496.00	\$ 620.00	\$ 189.00	\$ 392.00		\$ 1,554.00		
			25		H3	LSBP025H100P-2S-N1-NB			\$ 5,811.00	\$ 730.00	\$ 637.00	\$ 725.00	\$ 189.00		\$ 392.00	\$ 1,595.00	
IS7	208V	30	S1	LSBP030ViS7P-1F-N1-NB	\$ 6,270.00	Non-bypass (add '-NB')	Built-in DC Reactor	Included as Standard	\$ 690.00	\$ 775.00	Included as Standard	\$ 703.00	Not available	\$ 2,054.00			
		40		LSBP040ViS7P-1F-N1-NB	\$ 7,800.00				\$ 950.00	\$ 1,020.00				\$ 703.00	\$ 2,324.00		
		50		LSBP050ViS7P-1S-N1-NB	\$ 10,086.00				\$ 1,351.00	\$ 1,107.00				\$ 1,200.00	\$ 703.00	\$ 2,824.00	
		60	S2	LSBP060ViS7P-1S-N1-NB	\$ 14,254.00			No THD Solution as Standard	\$ 1,541.00	\$ 1,296.00				\$ 1,400.00	\$ 838.00	\$ 3,730.00	
		75		LSBP075ViS7P-1S-N1-NB	\$ 15,761.00				\$ 2,000.00	\$ 1,391.00				\$ 1,700.00	\$ 838.00	\$ 4,014.00	
		100	S3	LSBP100ViS7P-1S-N1-NB	\$ 20,818.00				\$ 2,243.00	\$ 1,549.00				\$ 2,075.00	\$ 919.00	\$ 5,338.00	
		125		LSBP125ViS7P-1S-N1-NB	\$ 22,777.00				\$ 2,649.00	\$ 1,992.00				\$ 2,237.00	\$ 1,541.00	\$ 5,784.00	
	230V	30		S1	LSBP030ViS7P-2F-N1-NB		\$ 6,270.00		Built-in DC Reactor	Included as Standard	\$ 690.00	\$ 775.00		Included as Standard	\$ 703.00	Not available	\$ 2,054.00
		40			LSBP040ViS7P-2F-N1-NB		\$ 7,800.00				\$ 950.00	\$ 1,020.00					\$ 703.00
		50	LSBP050ViS7P-2S-N1-NB		\$ 10,086.00		\$ 1,351.00				\$ 1,107.00	\$ 1,200.00					\$ 703.00
		60	S2	LSBP060ViS7P-2S-N1-NB	\$ 14,254.00		No THD Solution as Standard	\$ 1,541.00		\$ 1,296.00	\$ 1,400.00	\$ 838.00					\$ 3,730.00
		75		LSBP075ViS7P-2S-N1-NB	\$ 15,761.00			\$ 2,000.00		\$ 1,391.00	\$ 1,700.00	\$ 838.00					\$ 4,014.00
		100	S3	LSBP100ViS7P-2S-N1-NB	\$ 20,818.00			\$ 2,243.00		\$ 1,549.00	\$ 2,075.00	\$ 919.00					\$ 5,338.00
		125		LSBP125ViS7P-2S-N1-NB	\$ 22,777.00			\$ 2,649.00		\$ 1,992.00	\$ 2,237.00	\$ 1,541.00					\$ 5,784.00

# LSBP Configured Package (Non-Bypass)

## List Price (NEMA1, 460V)

LSBP Non-Bypass						Contactor Configuration	Harmonic Options				Power Options			Additional Enclosure Options			
VFD Series	Voltage	HP	Frame Size	NEMA1	List Price	Non-bypass (add '-NB')	No THD Solution (for Non-bypass only '-NO')	DC Reactor (add '-DC')	3% AC Line Reactor (add '-3L')	5% AC Line Reactor (add '-5L')	Circuit Breaker (add '-C')	Fuses (add '-F')	MMS (add '-M')	-20-45 degrees C Enclosure (add '-45')			
H100	460V	1	H1	LSBP001H100P-4F-N1-NB	\$ 2,361.00	Non-bypass (add '-NB')	No THD Solution as Standard	\$ 257.00	\$ 76.00	\$ 95.00	\$ 324.00	\$ 392.00	Included as Standard	\$ 622.00			
		2		LSBP002H100P-4F-N1-NB	\$ 2,385.00			\$ 270.00	\$ 89.00	\$ 108.00	\$ 324.00	\$ 392.00		\$ 622.00			
		3		LSBP003H100P-4F-N1-NB	\$ 2,557.00			\$ 284.00	\$ 108.00	\$ 135.00	\$ 324.00	\$ 392.00		\$ 662.00			
		5		LSBP005H100P-4F-N1-NB	\$ 2,729.00			\$ 311.00	\$ 135.00	\$ 162.00	\$ 324.00	\$ 392.00		\$ 676.00			
		7.5		LSBP007H100P-4F-N1-NB	\$ 2,933.00			\$ 351.00	\$ 162.00	\$ 203.00	\$ 270.00	\$ 338.00		\$ 973.00			
		10		LSBP010H100P-4F-N1-NB	\$ 3,084.00			\$ 419.00	\$ 216.00	\$ 270.00	\$ 270.00	\$ 338.00		\$ 1,014.00			
		15		LSBP015H100P-4F-N1-NB	\$ 3,270.00			\$ 500.00	\$ 230.00	\$ 284.00	\$ 270.00	\$ 459.00		\$ 1,108.00			
		20	H2	LSBP020H100P-4F-N1-NB	\$ 3,604.00			\$ 554.00	\$ 257.00	\$ 392.00	\$ 270.00	\$ 459.00		\$ 1,405.00			
		25		LSBP025H100P-4F-N1-NB	\$ 4,309.00			\$ 608.00	\$ 257.00	\$ 392.00	\$ 189.00	\$ 459.00		\$ 1,541.00			
		30	H3	LSBP030H100P-4F-N1-NB	\$ 4,751.00			\$ 716.00	\$ 365.00	\$ 446.00	\$ 189.00	\$ 459.00		\$ 1,541.00			
		40		LSBP040H100P-4F-N1-NB	\$ 5,276.00			\$ 824.00	\$ 392.00	\$ 676.00	\$ 189.00	\$ 459.00		\$ 1,568.00			
		50	H4	LSBP050H100P-4F-N1-NB	\$ 6,770.00			Built-in DC Reactor	Included as Standard	\$ 500.00	\$ 730.00	\$ 18 9.00		\$ 703.00	Included as Standard	Not available	\$ 1,824.00
		60		LSBP060H100P-4F-N1-NB	\$ 8,437.00					\$ 500.00	\$ 730.00	\$ 703.00		\$ 2,027.00			
		75		LSBP075H100P-4F-N1-NB	\$ 10,135.00					\$ 972.00	\$ 1,450.00	\$ 703.00		\$ 2,459.00			
		100	H5	LSBP100H100P-4S-N1-NB	\$ 11,770.00			Check with Supplier	Check with Supplier	\$ 1,106.00	\$ 1,500.00	\$ 703.00		\$ 3,068.00			
		120		LSBP125H100P-4S-N1-NB	\$ 14,277.00					\$ 1,357.00	\$ 1,635.00	\$ 838.00		\$ 3,946.00			
iS7	460V	150	S3	LSBP150VIS7P-4S-N1-NB	\$ 21,700.00	Non-bypass (add '-NB')	Built-in DC Reactor	Included as Standard	\$ 1,609.00	\$ 2,000.00	Included as Standard	Check with Supplier	Not available	\$ 5,703.00			
		200		LSBP200VIS7P-4S-N1-NB	\$ 24,250.00				\$ 2,011.00	\$ 2,620.00				\$ 838.00	\$ 6,270.00		
		250	S4	LSBP250VIS7P-4S-N1-NB	Check with Supplier				Check with Supplier	Check with Supplier				Check with Supplier	Check with Supplier	Check with Supplier	
		300		LSBP300VIS7P-4S-N1-NB													
		350		LSBP350VIS7P-4S-N1-NB													
		400		LSBP400VIS7P-4S-N1-NB													

## List Price (NEMA12, 208V / 230V)

LSBP Non-Bypass						Contactor Configuration	Harmonic Options				Power Options			Additional Enclosure Options	
VFD Series	Voltage	HP	Frame Size	NEMA12	List Price	Non-bypass (add '-NB')	No THD Solution (for Non-bypass only '-NO')	DC Reactor (add '-DC')	3% AC Line Reactor (add '-3L')	5% AC Line Reactor (add '-5L')	Circuit Breaker (add '-C')	Fuses (add '-F')	MMS (add '-M')	-20-45 degrees C Enclosure (add '-45')	
H100	208V	1	H6	LSBP001H100P-1S-N2-NB	\$ 2,973.00	Non-bypass (add '-NB')	No THD Solution as Standard	\$ 257.00	\$ 212.00	\$ 247.00	\$ 324.00	\$ 392.00	Included as Standard	\$ 622.00	
		2		LSBP002H100P-1S-N2-NB	\$ 3,050.00			\$ 284.00	\$ 230.00	\$ 265.00	\$ 324.00	\$ 392.00		\$ 662.00	
		3		LSBP003H100P-1S-N2-NB	\$ 3,045.00			\$ 297.00	\$ 248.00	\$ 299.00	\$ 324.00	\$ 392.00		\$ 676.00	
		5		LSBP005H100P-1S-N2-NB	\$ 3,192.00			\$ 378.00	\$ 319.00	\$ 353.00	\$ 324.00	\$ 392.00		\$ 1,054.00	
		7.5		LSBP007H100P-1S-N2-NB	\$ 3,464.00			\$ 459.00	\$ 354.00	\$ 405.00	\$ 324.00	\$ 392.00		\$ 1,108.00	
		10		LSBP010H100P-1S-N2-NB	\$ 4,062.00			\$ 486.00	\$ 372.00	\$ 440.00	\$ 270.00	\$ 351.00		\$ 1,068.00	
		15	LSBP015H100P-1S-N2-NB	\$ 4,495.00	\$ 581.00			\$ 460.00	\$ 530.00	\$ 189.00	\$ 392.00	\$ 1,203.00			
		20	H7	LSBP020H100P-1S-N2-NB	\$ 5,434.00			\$ 676.00	\$ 496.00	\$ 620.00	\$ 189.00	\$ 392.00		\$ 1,554.00	
		25		LSBP025H100P-1S-N2-NB	\$ 6,038.00			\$ 730.00	\$ 637.00	\$ 725.00	\$ 189.00	\$ 392.00		\$ 1,595.00	
	1	230V		H6	LSBP001H100P-2S-N2-NB	\$ 2,973.00	Non-bypass (add '-NB')	No THD Solution as Standard	\$ 257.00	\$ 212.00	\$ 247.00	\$ 324.00	\$ 392.00	Included as Standard	\$ 622.00
	2		LSBP002H100P-2S-N2-NB		\$ 3,050.00	\$ 284.00			\$ 230.00	\$ 265.00	\$ 324.00	\$ 392.00	\$ 662.00		
	3		LSBP003H100P-2S-N2-NB		\$ 3,045.00	\$ 297.00			\$ 248.00	\$ 299.00	\$ 324.00	\$ 392.00	\$ 676.00		
	5		LSBP005H100P-2S-N2-NB		\$ 3,192.00	\$ 378.00			\$ 319.00	\$ 353.00	\$ 324.00	\$ 392.00	\$ 1,054.00		
	7.5		LSBP007H100P-2S-N2-NB		\$ 3,464.00	\$ 459.00			\$ 354.00	\$ 405.00	\$ 324.00	\$ 392.00	\$ 1,108.00		
	10		LSBP010H100P-2S-N2-NB		\$ 4,062.00	\$ 486.00			\$ 372.00	\$ 440.00	\$ 270.00	\$ 351.00	\$ 1,068.00		
	15		LSBP015H100P-2S-N2-NB	\$ 4,495.00	\$ 581.00	\$ 460.00			\$ 530.00	\$ 189.00	\$ 392.00	\$ 1,203.00			
	20		H7	LSBP020H100P-2S-N2-NB	\$ 5,434.00	\$ 676.00			\$ 496.00	\$ 620.00	\$ 189.00	\$ 392.00	\$ 1,554.00		
	25			LSBP025H100P-2S-N2-NB	\$ 6,038.00	\$ 730.00			\$ 637.00	\$ 725.00	\$ 189.00	\$ 392.00	\$ 1,595.00		
30	208V	S1		LSBP030VIS7P-1F-N2-NB	\$ 7,427.00	Non-bypass (add '-NB')	No THD Solution as Standard	Built-in DC Reactor	Included as Standard	\$ 690.00	\$ 775.00	Included as Standard	\$ 703.00	Not available	\$ 2,054.00
40			LSBP040VIS7P-1F-N2-NB	\$ 9,503.00	\$ 950.00					\$ 1,020.00	\$ 703.00		\$ 2,324.00		
50			LSBP050VIS7P-1S-N2-NB	\$ 11,259.00	\$ 1,351.00					\$ 1,107.00	\$ 1,200.00		\$ 703.00		\$ 2,824.00
60		S2	LSBP060VIS7P-1S-N2-NB	\$ 15,630.00	\$ 1,541.00			\$ 1,296.00	\$ 1,400.00	\$ 838.00	\$ 3,730.00				
75			LSBP075VIS7P-1S-N2-NB	\$ 17,546.00	\$ 2,000.00			\$ 1,391.00	\$ 1,700.00	\$ 838.00	\$ 4,014.00				
100		S3	LSBP100VIS7P-1S-N2-NB	\$ 21,663.00	\$ 2,243.00			\$ 1,549.00	\$ 2,075.00	\$ 919.00	\$ 5,338.00				
125			LSBP125VIS7P-1S-N2-NB	\$ 23,868.00	\$ 2,649.00			\$ 1,992.00	\$ 2,237.00	\$ 1,541.00	\$ 5,784.00				
IS7	230V	30	S1	LSBP030VIS7P-2F-N2-NB	\$ 7,427.00	Non-bypass (add '-NB')	No THD Solution as Standard	Built-in DC Reactor	Included as Standard	\$ 690.00	\$ 775.00	Included as Standard	\$ 703.00	Not available	\$ 2,054.00
		40		LSBP040VIS7P-2F-N2-NB	\$ 9,503.00					\$ 950.00	\$ 1,020.00		\$ 703.00		\$ 2,324.00
		50		LSBP050VIS7P-2S-N2-NB	\$ 11,259.00					\$ 1,351.00	\$ 1,107.00		\$ 1,200.00		\$ 703.00
		60	S2	LSBP060VIS7P-2S-N2-NB	\$ 15,630.00			\$ 1,541.00	\$ 1,296.00	\$ 1,400.00	\$ 838.00		\$ 3,730.00		
		75		LSBP075VIS7P-2S-N2-NB	\$ 17,546.00			\$ 2,000.00	\$ 1,391.00	\$ 1,700.00	\$ 838.00		\$ 4,014.00		
		100	S3	LSBP100VIS7P-2S-N2-NB	\$ 21,663.00			\$ 2,243.00	\$ 1,549.00	\$ 2,075.00	\$ 919.00		\$ 5,338.00		
		125		LSBP125VIS7P-2S-N2-NB	\$ 23,868.00			\$ 2,649.00	\$ 1,992.00	\$ 2,237.00	\$ 1,541.00		\$ 5,784.00		

# LSBP Configured Package (Non-Bypass)

## List Price (NEMA12, 460V)

LSBP Non-Bypass						Contactor Configuration	Harmonic Options				Power Options			Additional Enclosure Options			
VFD Series	Voltage	HP	Frame Size	NEMA12	List Price		Non-bypass (add '-NB')	No THD Solution (for Non-bypass only '-NO')	DC Reactor (add '-DC')	3% AC Line Reactor (add '-3L')	5% AC Line Reactor (add '-5L')	Circuit Breaker (add '-C')	Fuses (add '-F')		MMS (add '-M')	-20-45 degrees C Enclosure (add '-45')	
H100	460V	1	H6	LSBP001H100P-4F-N2-NB	\$ 2,666.00	Non-bypass (add '-NB')	No THD Solution as Standard	\$ 257.00	\$ 76.00	\$ 95.00	\$ 324.00	\$ 392.00	Included as Standard	\$ 622.00			
		2		LSBP002H100P-4F-N2-NB	\$ 2,780.00			\$ 270.00	\$ 89.00	\$ 108.00	\$ 324.00	\$ 392.00		\$ 622.00			
		3		LSBP003H100P-4F-N2-NB	\$ 2,844.00			\$ 284.00	\$ 108.00	\$ 135.00	\$ 324.00	\$ 392.00		\$ 662.00			
		5		LSBP005H100P-4F-N2-NB	\$ 3,173.00			\$ 311.00	\$ 135.00	\$ 162.00	\$ 324.00	\$ 392.00		\$ 676.00			
		7.5		LSBP007H100P-4F-N2-NB	\$ 3,211.00			\$ 351.00	\$ 162.00	\$ 203.00	\$ 270.00	\$ 338.00		\$ 973.00			
		10		LSBP010H100P-4F-N2-NB	\$ 3,473.00			\$ 419.00	\$ 216.00	\$ 270.00	\$ 270.00	\$ 338.00		\$ 1,014.00			
		15		LSBP015H100P-4F-N2-NB	\$ 3,730.00			\$ 500.00	\$ 230.00	\$ 284.00	\$ 270.00	\$ 459.00		\$ 1,108.00			
		20	H7	LSBP020H100P-4F-N2-NB	\$ 4,355.00			\$ 554.00	\$ 257.00	\$ 392.00	\$ 270.00	\$ 459.00		\$ 1,405.00			
		25		LSBP025H100P-4F-N2-NB	\$ 5,102.00			\$ 608.00	\$ 257.00	\$ 392.00	\$ 189.00	\$ 459.00		\$ 1,541.00			
		30		LSBP030H100P-4F-N2-NB	\$ 5,477.00			\$ 716.00	\$ 365.00	\$ 446.00	\$ 189.00	\$ 459.00		\$ 1,541.00			
		40		LSBP040H100P-4F-N2-NB	\$ 5,726.00			\$ 824.00	\$ 392.00	\$ 676.00	\$ 189.00	\$ 459.00		\$ 1,568.00			
		50	H8	LSBP050H100P-4F-N2-NB	\$ 7,207.00			Built-in DC Reactor	Included as Standard	\$ 500.00	\$ 730.00	Included as Standard		\$ 189.00	\$ 703.00	Not available	\$ 1,824.00
		60		LSBP060H100P-4F-N2-NB	\$ 9,205.00					\$ 500.00	\$ 730.00			\$ 703.00	\$ 2,027.00		
		75		LSBP075H100P-4F-N2-NB	\$ 10,720.00					\$ 972.00	\$ 1,450.00			\$ 703.00	\$ 2,459.00		
100	H9	LSBP100H100P-4S-N2-NB	\$ 13,370.00	Included as Standard	Included as Standard	\$ 1,106.00	\$ 1,500.00	Included as Standard	\$ 703.00	Not available	\$ 3,068.00						
120		LSBP125H100P-4S-N2-NB	\$ 16,915.00			\$ 1,357.00	\$ 1,635.00		\$ 838.00		\$ 3,946.00						
iS7	460V	150	S3	LSBP150VIS7P-4S-N2-NB	\$ 24,683.00	Non-bypass (add '-NB')	Built-in DC Reactor	Included as Standard	\$ 1,609.00	\$ 2,000.00	Included as Standard	\$ 838.00	Not available	\$ 5,703.00			
		200		LSBP200VIS7P-4S-N2-NB	\$ 26,546.00				\$ 2,011.00	\$ 2,620.00		\$ 838.00		\$ 6,270.00			
		250	S4	LSBP250VIS7P-4S-N2-NB	Check with Supplier				Check with Supplier	Check with Supplier		Check with Supplier		Check with Supplier	Check with Supplier	Check with Supplier	
		300		LSBP300VIS7P-4S-N2-NB													
		350		LSBP350VIS7P-4S-N2-NB													
		400		LSBP400VIS7P-4S-N2-NB													



# List Price (NEMA3R, 208V / 230V)

LSBP Non-Bypass						Contactor Configuration	Harmonic Options				Power Options		Additional Enclosure Options		
VFD Series	Voltage	HP	Frame Size	NEMA3R	List Price	Non-bypass (add '-NB')	No THD Solution (for Non-bypass only '-NO')	DC Reactor (add '-DC')	3% AC Line Reactor (add '-3L')	5% AC Line Reactor (add '-5L')	Circuit Breaker (add '-C')	Fuses (add '-F')	MMS (add '-M')	-20-45 degrees C Enclosure (add '-45')	
H100	208V	1	H10	LSBP001H100P-1S-N3-NB	\$ 3,732.00	Non-bypass (add '-NB')	No THD Solution as Standard	\$ 257.00	\$ 212.00	\$ 247.00	\$ 324.00	\$ 392.00	Included as Standard	\$ 622.00	
		2		LSBP002H100P-1S-N3-NB	\$ 3,842.00			\$ 284.00	\$ 230.00	\$ 265.00	\$ 324.00	\$ 392.00		\$ 662.00	
		3		LSBP003H100P-1S-N3-NB	\$ 3,800.00			\$ 297.00	\$ 248.00	\$ 299.00	\$ 324.00	\$ 392.00		\$ 676.00	
		5		LSBP005H100P-1S-N3-NB	\$ 3,981.00			\$ 378.00	\$ 319.00	\$ 353.00	\$ 324.00	\$ 392.00		\$ 1,054.00	
		7.5		LSBP007H100P-1S-N3-NB	\$ 4,279.00			\$ 459.00	\$ 354.00	\$ 405.00	\$ 324.00	\$ 392.00		\$ 1,108.00	
		10		LSBP010H100P-1S-N3-NB	\$ 4,714.00			\$ 486.00	\$ 372.00	\$ 440.00	\$ 270.00	\$ 351.00		\$ 1,068.00	
		15		LSBP015H100P-1S-N3-NB	\$ 5,405.00			\$ 581.00	\$ 460.00	\$ 530.00	\$ 189.00	\$ 392.00		\$ 1,203.00	
		20		H11	LSBP020H100P-1S-N3-NB			\$ 7,070.00	\$ 676.00	\$ 496.00	\$ 620.00	\$ 189.00		\$ 392.00	\$ 1,554.00
		25			LSBP025H100P-1S-N3-NB			\$ 7,920.00	\$ 730.00	\$ 637.00	\$ 725.00	\$ 189.00		\$ 392.00	\$ 1,595.00
	230V	H10	1	LSBP001H100P-2S-N3-NB	\$ 3,732.00	Non-bypass (add '-NB')	No THD Solution as Standard	\$ 257.00	\$ 212.00	\$ 247.00	\$ 324.00	\$ 392.00	Included as Standard	\$ 622.00	
			2	LSBP002H100P-2S-N3-NB	\$ 3,842.00			\$ 284.00	\$ 230.00	\$ 265.00	\$ 324.00	\$ 392.00		\$ 662.00	
			3	LSBP003H100P-2S-N3-NB	\$ 3,800.00			\$ 297.00	\$ 248.00	\$ 299.00	\$ 324.00	\$ 392.00		\$ 676.00	
			5	LSBP005H100P-2S-N3-NB	\$ 3,981.00			\$ 378.00	\$ 319.00	\$ 353.00	\$ 324.00	\$ 392.00		\$ 1,054.00	
			7.5	LSBP007H100P-2S-N3-NB	\$ 4,279.00			\$ 459.00	\$ 354.00	\$ 405.00	\$ 324.00	\$ 392.00		\$ 1,108.00	
			10	LSBP010H100P-2S-N3-NB	\$ 4,714.00			\$ 486.00	\$ 372.00	\$ 440.00	\$ 270.00	\$ 351.00		\$ 1,068.00	
			15	LSBP015H100P-2S-N3-NB	\$ 5,405.00			\$ 581.00	\$ 460.00	\$ 530.00	\$ 189.00	\$ 392.00		\$ 1,203.00	
			20	H11	LSBP020H100P-2S-N3-NB			\$ 7,070.00	\$ 676.00	\$ 496.00	\$ 620.00	\$ 189.00		\$ 392.00	\$ 1,554.00
			25		LSBP025H100P-2S-N3-NB			\$ 7,920.00	\$ 730.00	\$ 637.00	\$ 725.00	\$ 189.00		\$ 392.00	\$ 1,595.00
IS7	208V	30	S5	LSBP030VIS7P-1F-N3-NB	\$ 9,527.00	Non-bypass (add '-NB')	Built-in DC Reactor	Included as Standard	\$ 690.00	\$ 775.00	Included as Standard	\$ 703.00	Not available	\$ 2,054.00	
		40		LSBP040VIS7P-1F-N3-NB	\$ 10,780.00				\$ 950.00	\$ 1,020.00		\$ 703.00		\$ 2,324.00	
		50		LSBP050VIS7P-1S-N3-NB	\$ 13,479.00				\$ 1,351.00	\$ 1,107.00		\$ 1,200.00		\$ 703.00	\$ 2,824.00
		60	S6	LSBP060VIS7P-1S-N3-NB	\$ 18,091.00		No THD Solution as Standard	\$ 1,541.00	\$ 1,296.00	\$ 1,400.00		\$ 838.00		\$ 3,730.00	
		75		LSBP075VIS7P-1S-N3-NB	\$ 19,323.00			\$ 2,000.00	\$ 1,391.00	\$ 1,700.00		\$ 838.00		\$ 4,014.00	
		100	S7	LSBP100VIS7P-1S-N3-NB	\$ 25,623.00		\$ 2,243.00	\$ 1,549.00	\$ 2,075.00	\$ 919.00		\$ 5,338.00			
		125		LSBP125VIS7P-1S-N3-NB	\$ 28,235.00		\$ 2,649.00	\$ 1,992.00	\$ 2,237.00	\$ 1,541.00		\$ 5,784.00			
	230V	S5	30	LSBP030VIS7P-2F-N3-NB	\$ 9,527.00	Non-bypass (add '-NB')	Built-in DC Reactor	Included as Standard	\$ 690.00	\$ 775.00	Included as Standard	\$ 703.00	Not available	\$ 2,054.00	
			40	LSBP040VIS7P-2F-N3-NB	\$ 10,780.00				\$ 950.00	\$ 1,020.00		\$ 703.00		\$ 2,324.00	
			50	LSBP050VIS7P-2S-N3-NB	\$ 13,479.00				\$ 1,351.00	\$ 1,107.00		\$ 1,200.00		\$ 703.00	\$ 2,824.00
		60	S6	LSBP060VIS7P-2S-N3-NB	\$ 18,091.00		No THD Solution as Standard	\$ 1,541.00	\$ 1,296.00	\$ 1,400.00		\$ 838.00		\$ 3,730.00	
		75		LSBP075VIS7P-2S-N3-NB	\$ 19,323.00			\$ 2,000.00	\$ 1,391.00	\$ 1,700.00		\$ 838.00		\$ 4,014.00	
		100	S7	LSBP100VIS7P-2S-N3-NB	\$ 25,623.00		\$ 2,243.00	\$ 1,549.00	\$ 2,075.00	\$ 919.00		\$ 5,338.00			
		125		LSBP125VIS7P-2S-N3-NB	\$ 28,235.00		\$ 2,649.00	\$ 1,992.00	\$ 2,237.00	\$ 1,541.00		\$ 5,784.00			

# LSBP Configured Package (Non-Bypass)

## List Price (NEMA3R, 460V)

LSBP Non-Bypass						Contactor Configuration	Harmonic Options				Power Options			Additional Enclosure Options			
VFD Series	Voltage	HP	Frame Size	NEMA3R	List Price	Non-bypass (add '-NB')	No THD Solution (for Non-bypass only '-NO')	DC Reactor (add '-DC')	3% AC Line Reactor (add '-3L')	5% AC Line Reactor (add '-5L')	Circuit Breaker (add '-C')	Fuses (add '-F')	MMS (add '-M')	-20-45 degrees C Enclosure (add '-45')			
H100	460V	1	H10	LSBP001H100P-4F-N3-NB	\$ 3,600.00	Non-bypass (add '-NB')	No THD Solution as Standard	\$ 257.00	\$ 76.00	\$ 95.00	\$ 324.00	\$ 392.00	Included as Standard	\$ 622.00			
		2		LSBP002H100P-4F-N3-NB	\$ 3,692.00			\$ 270.00	\$ 89.00	\$ 108.00	\$ 324.00	\$ 392.00		\$ 622.00			
		3		LSBP003H100P-4F-N3-NB	\$ 3,809.00			\$ 284.00	\$ 108.00	\$ 135.00	\$ 324.00	\$ 392.00		\$ 662.00			
		5		LSBP005H100P-4F-N3-NB	\$ 4,075.00			\$ 311.00	\$ 135.00	\$ 162.00	\$ 324.00	\$ 392.00		\$ 676.00			
		7.5		LSBP007H100P-4F-N3-NB	\$ 4,164.00			\$ 351.00	\$ 162.00	\$ 203.00	\$ 270.00	\$ 338.00		\$ 973.00			
		10		LSBP010H100P-4F-N3-NB	\$ 4,433.00			\$ 419.00	\$ 216.00	\$ 270.00	\$ 270.00	\$ 338.00		\$ 1,014.00			
		15		LSBP015H100P-4F-N3-NB	\$ 4,657.00			\$ 500.00	\$ 230.00	\$ 284.00	\$ 270.00	\$ 459.00		\$ 1,108.00			
		20	H11	LSBP020H100P-4F-N3-NB	\$ 6,145.00			\$ 554.00	\$ 257.00	\$ 392.00	\$ 270.00	\$ 459.00		\$ 1,405.00			
		25		LSBP025H100P-4F-N3-NB	\$ 6,875.00			\$ 608.00	\$ 257.00	\$ 392.00	\$ 189.00	\$ 459.00		\$ 1,541.00			
		30		LSBP030H100P-4F-N3-NB	\$ 7,211.00			\$ 716.00	\$ 365.00	\$ 446.00	\$ 189.00	\$ 459.00		\$ 1,541.00			
		40		LSBP040H100P-4F-N3-NB	\$ 7,362.00			\$ 824.00	\$ 392.00	\$ 676.00	\$ 189.00	\$ 459.00		\$ 1,568.00			
		50	H12	LSBP050H100P-4F-N3-NB	\$ 9,550.00			Built-in DC Reactor	Included as Standard	\$ 500.00	\$ 730.00	\$ 189.00		\$ 703.00	Included as Standard	Not available	\$ 1,824.00
		60		LSBP060H100P-4F-N3-NB	\$ 10,974.00					\$ 500.00	\$ 730.00	\$ 703.00		\$ 2,027.00			
		75		LSBP075H100P-4F-N3-NB	\$ 12,427.00					\$ 972.00	\$ 1,450.00	\$ 703.00		\$ 2,459.00			
		100	H13	LSBP100H100P-4S-N3-NB	\$ 15,027.00			Built-in DC Reactor	Included as Standard	\$ 1,106.00	\$ 1,500.00	Included as Standard		\$ 703.00	Not available	\$ 3,068.00	
		120		LSBP125H100P-4S-N3-NB	\$ 18,230.00					\$ 1,357.00	\$ 1,635.00			\$ 838.00		\$ 3,946.00	
iS7	460V	150	S7	LSBP150ViS7P-4S-N3-NB	\$ 27,526.00	Non-bypass (add '-NB')	Built-in DC Reactor	Included as Standard	\$ 1,609.00	\$ 2,000.00	Included as Standard	Check with Supplier	Not available	\$ 5,703.00			
		200		LSBP200ViS7P-4S-N3-NB	\$ 30,693.00				\$ 2,011.00	\$ 2,620.00				\$ 838.00	\$ 6,270.00		
		250	S8	LSBP250ViS7P-4S-N3-NB	Check with Supplier				Check with Supplier	Check with Supplier				Check with Supplier	Check with Supplier		
		300		LSBP300ViS7P-4S-N3-NB													
		350		LSBP350ViS7P-4S-N3-NB													
		400		LSBP400ViS7P-4S-N3-NB													

## LSBP Non-Bypass - Option List Price

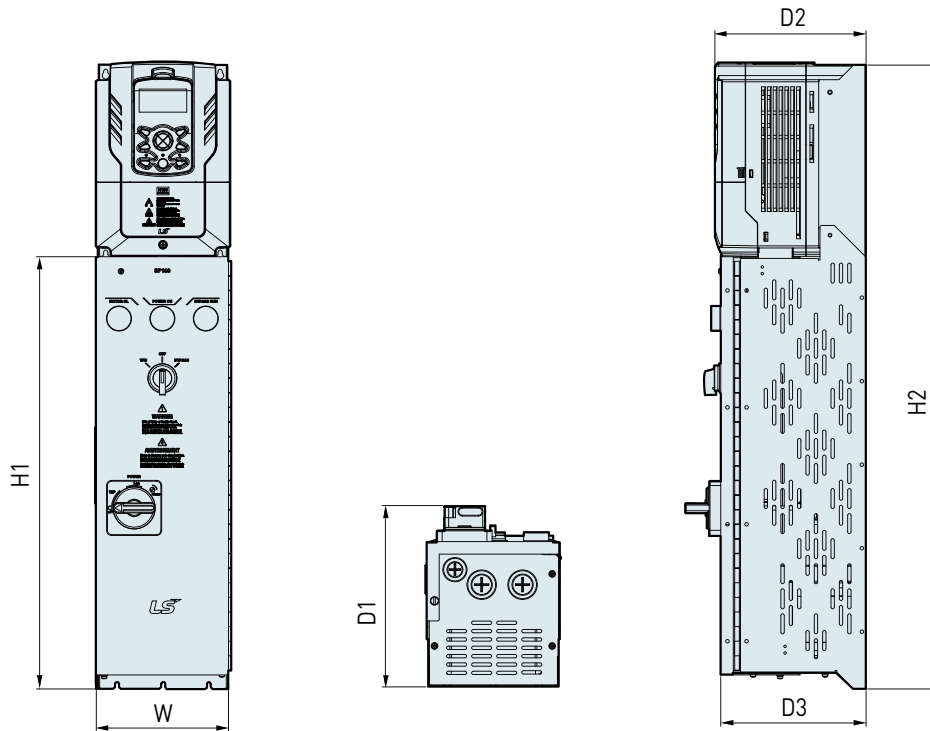
Description	Available Range	Option Code	LSIS USA List Price
<b>Communication Option</b>			
BACnet	208V/230V: 1~25HP 460V: 1~120HP	BN	\$ -
Modbus-RTU	ALL	MB	\$ -
LonWorks	ALL	LW	\$ 217.00
Profibus DP	208V/230V: 30~125HP 460V: 150~400HP	PB	\$ 286.00
Ethernet IP/Modbus TCP	208V/230V: 30~125HP 460V: 150~400HP	EI	\$ 252.00
<b>Control Options</b>			
No Option	ALL	X	\$ -
Damper Output *		D	\$ 122.00
HOA Switch with Speed POT		H	\$ 189.00
<b>Additional Enclosure Options</b>			
No Option	ALL	XX	\$ -

\* : The LSBP Non-Bypass with H100 drive (H100P) offers Damper Output as standard

# Dimensions

## SP100 Bypass Package

Bypass Model LSBP		Dimension (in)					
		H1	H2	W	D1	D2	D3
3-phase 208/230VAC	0055SP100-2	517.3	750.1	158.3	217.5	181	174
	0075SP100-2	(20.36)	(29.53)	(6.23)	(8.56)	(7.13)	(6.85)
	0110SP100-2	684.3	998.7	197.7	260.8	224.8	217.7
	0150SP100-2	(26.94)	(39.31)	(7.78)	(10.26)	(8.85)	(8.57)
	0185SP100-2	758.8	1132	237.7	287.8	253.2	244.7
		(29.87)	(44.56)	(9.35)	(11.33)	(9.97)	(9.63)
3-phase 460VAC	0055SP100-4	517.3	750.1	158.3	217.5	181	174
	0075SP100-4	(20.36)	(29.53)	(6.23)	(8.56)	(7.13)	(6.85)
	0110SP100-4						
	0150SP100-4	684.3	998.7	197.7	260.8	224.8	217.7
	0185SP100-4	(26.94)	(39.31)	(7.78)	(10.26)	(8.85)	(8.57)
	0220SP100-4	758.8	1132	237.7	287.8	253.2	244.7
	0300SP100-4	(29.87)	(44.56)	(9.35)	(11.33)	(9.97)	(9.63)
	0370SP100-4						
	0450SP100-4	912.2	1460	327	342	304	291
	(35.91)	(57.48)	(12.87)	(13.46)	(11.97)	(11.45)	
	0550SP100-4						



# Dimensions

## LSBP Bypass & Configured Package (NEMA1)

### H100 208/230VAC

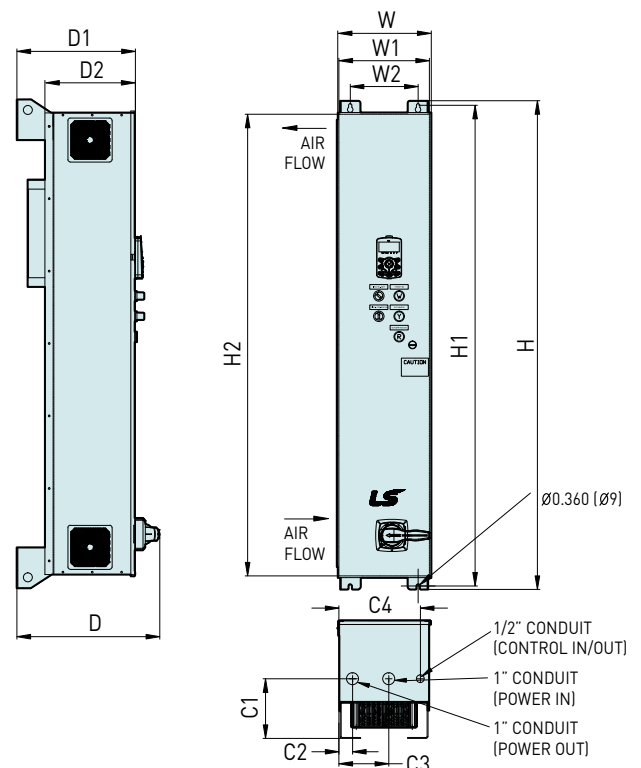
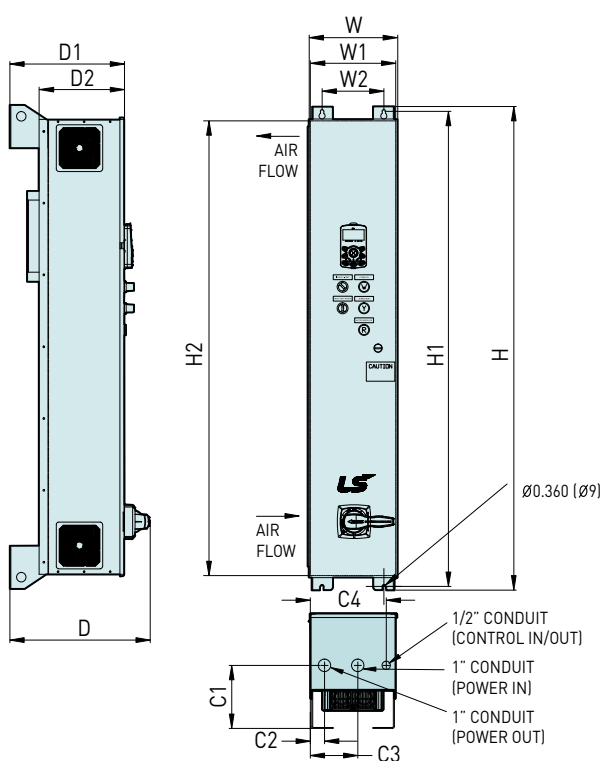
Bypass Model LSBP	Dimension (in)												
	W	H	D	W1	W2	H1	H2	D1	D2	C1	C2	C3	C4
LSBP001H100P	9.3	50.5	14.8	9	6.5	49.625	47.5	12.08	9	6.58	1.5	5	8
LSBP002H100P	9.3	50.5	14.8	9	6.5	49.625	47.5	12.08	9	6.58	1.5	5	8
LSBP003H100P	9.3	50.5	14.8	9	6.5	49.625	47.5	12.08	9	6.58	1.5	5	8
LSBP005H100P	9.3	50.5	14.8	9	6.5	49.625	47.5	12.08	9	6.58	1.5	5	8
LSBP007H100P	9.3	50.5	14.8	9	6.5	49.625	47.5	12.08	9	6.58	1.5	5	8
LSBP010H100P	10.3	54	15.8	10	7.5	53.125	51	13.08	10	6.6	1.5	5.5	9
LSBP015H100P	10.3	54	15.8	10	7.5	53.125	51	13.08	10	6.6	1.5	5.5	9
LSBP020H100P	10.3	54	15.8	10	7.5	53.125	51	13.08	10	6.6	1.5	5.5	9
LSBP025H100P	12.3	58	17.3	12	9.5	57.125	55	14.58	11.5	7.08	2	7	10.5

### H100 460VAC

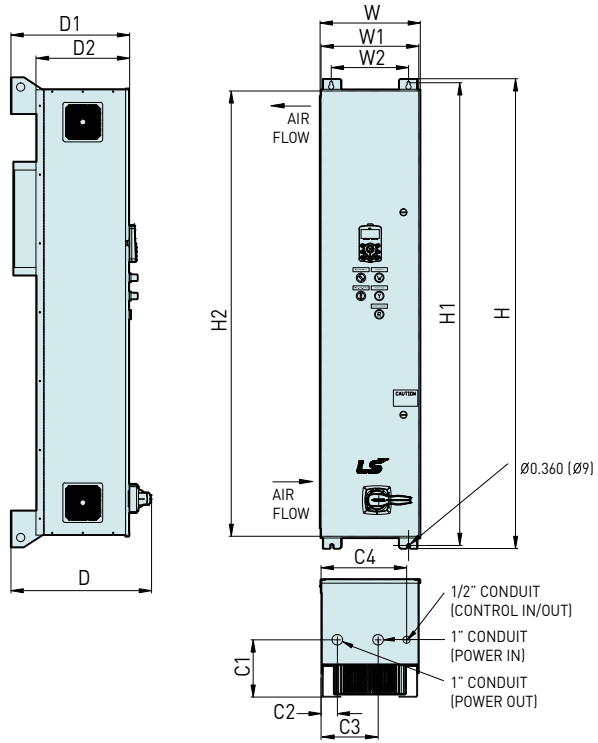
Bypass Model LSBP	Dimension (in)												
	W	H	D	W1	W2	H1	H2	D1	D2	C1	C2	C3	C4
LSBP001H100P-4F	9.3	50.5	14.8	9	6.5	49.625	47.5	12.08	9	6.58	1.5	5	8
LSBP002H100P-4F	9.3	50.5	14.8	9	6.5	49.625	47.5	12.08	9	6.58	1.5	5	8
LSBP003H100P-4F	9.3	50.5	14.8	9	6.5	49.625	47.5	12.08	9	6.58	1.5	5	8
LSBP005H100P-4F	9.3	50.5	14.8	9	6.5	49.625	47.5	12.08	9	6.58	1.5	5	8
LSBP007H100P-4F	9.3	50.5	14.8	9	6.5	49.625	47.5	12.08	9	6.58	1.5	5	8
LSBP010H100P-4F	9.3	50.5	14.8	9	6.5	49.625	47.5	12.08	9	6.58	1.5	5	8
LSBP015H100P-4F	9.3	50.5	14.8	9	6.5	49.625	47.5	12.08	9	6.58	1.5	5	8
LSBP020H100P-4F	10.3	54	15.8	10	7.5	53.125	51	13.08	10	6.6	1.5	5.5	9
LSBP025H100P-4F	10.3	54	15.8	10	7.5	53.125	51	13.08	10	6.6	1.5	5.5	9
LSBP030H100P-4F	12.3	58	17.3	12	9.5	57.125	55	14.58	11.5	7.08	2	7	10.5
LSBP040H100P-4F	12.3	58	17.3	12	9.5	57.125	55	14.58	11.5	7.08	2	7	10.5
LSBP050H100P-4F	18.3	65	20.1	18	15.5	64.125	62	17.46	12.38	10.1	4	12	16
LSBP060H100P-4F	18.3	65	20.1	18	15.5	64.125	62	17.46	12.38	10.1	4	12	16
LSBP075H100P-4F	18.3	65	20.1	18	15.5	64.125	62	17.46	12.38	10.1	4	12	16
LSBP100H100P-4	24.3	71	21.1	24	21.5	70.125	68	18.44	13.37	11.1	5	13	22.5
LSBP125H100P-4	24.3	71	21.1	24	21.5	70.125	68	18.44	13.37	11.1	5	13	22.5

### H100 208/230VAC (LSBP001 to 007) / H100 460VAC (LSBP001 to 015)

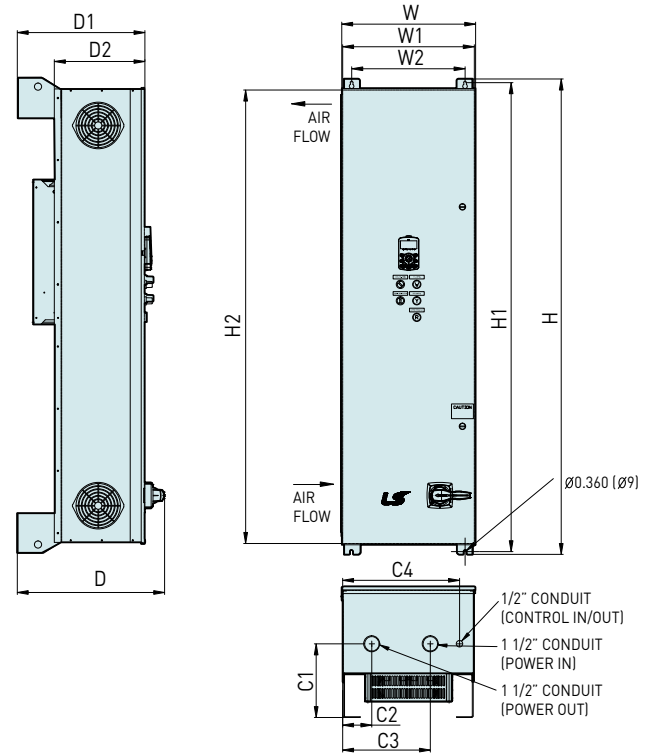
### H100 208/230VAC (LSBP010 to 020) / H100 460VAC (LSBP020 to 025)



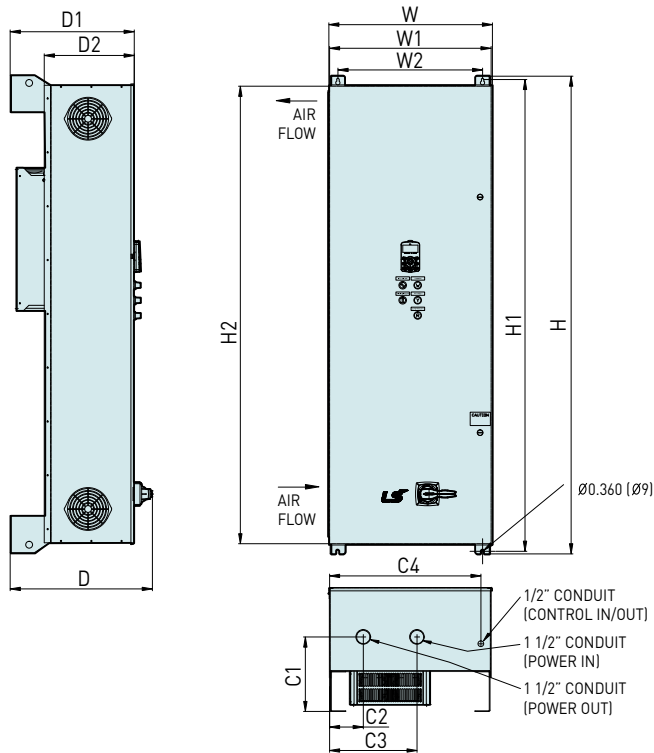
H100 208/230VAC (LSBP025) / H100 460VAC (LSBP030 to 040)



H100 460VAC (LSBP050 to 075)



H100 460VAC (LSBP100 to 125)



# Dimensions

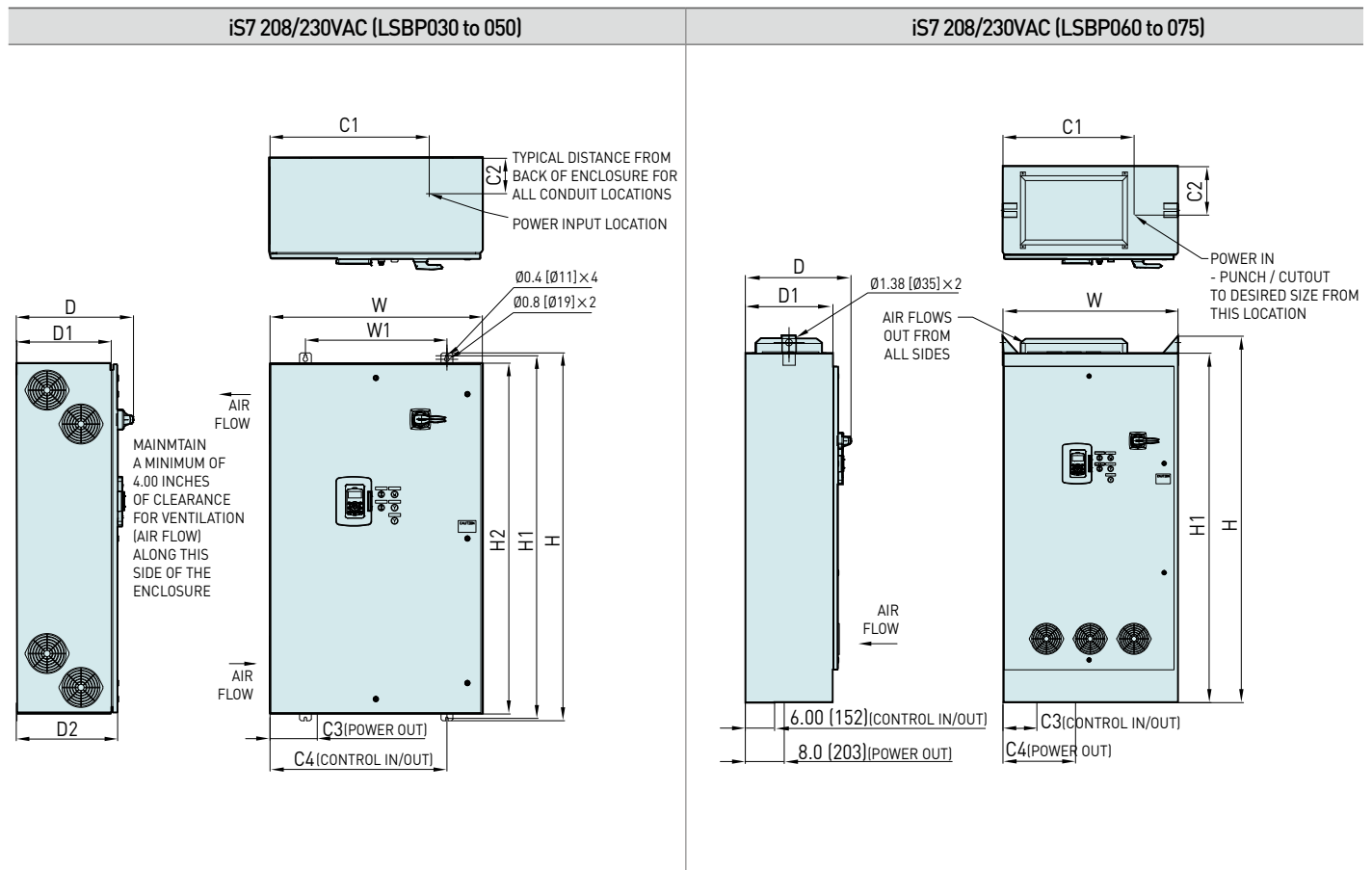
## LSBP Bypass & Configured Package (NEMA1 & NEMA12)

### iS7 208/230VAC

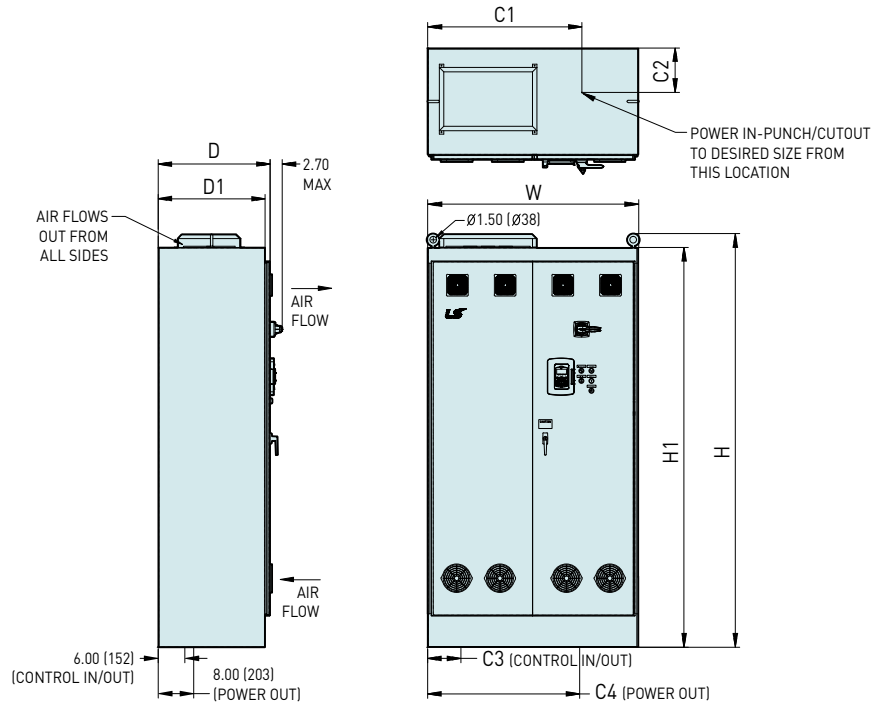
Bypass Model LSBP	Dimensions (in)											
	W	H	D	W1	H1	H2	D1	D2	C1	C2	C3	C4
LSBP030ViS7P	36	62.4	19.9	24	61.5	59.5	16	17.2	27	6	8	30
LSBP040ViS7P	36	62.4	19.9	24	61.5	59.5	16	17.2	27	6	8	30
LSBP050ViS7P	36	62.4	19.9	24	61.5	59.5	16	17.2	27	6	8	30
LSBP060ViS7P	36	75.5	21.74	X	72	X	18	X	27	10	7	15
LSBP075ViS7P	36	75.5	21.74	X	72	X	18	X	27	10	7	15
LSBP100ViS7P	47.56	93.21	25.22	X	90.06	X	24.06	X	34.75	10	7.5	34.25
LSBP125ViS7P	47.56	93.21	25.22	X	90.06	X	24.06	X	34.75	10	7.5	34.25

### iS7 460VAC

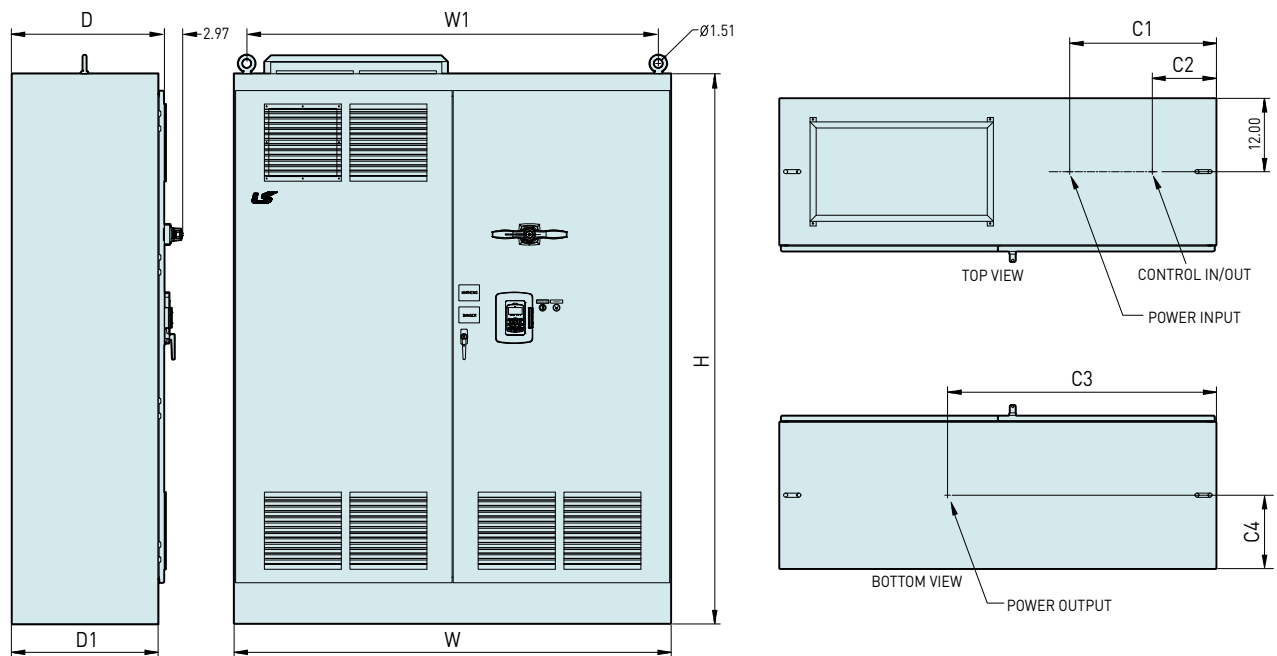
Bypass Model LSBP	Dimensions (in)											
	W	H	D	W1	H1	H2	D1	D2	C1	C2	C3	C4
LSBP150ViS7P-4	47.56	93.21	25.22	X	90.06	X	24.06	X	34.75	10	7.5	34.25
LSBP200ViS7P-4	47.56	93.21	25.22	X	90.06	X	24.06	X	34.75	10	7.5	34.25
LSBP250ViS7P-4	71.5	90	25.05	67.29	X	X	24	X	24	10.5	44	12
LSBP275ViS7P-4	71.5	90	25.05	67.29	X	X	24	X	24	10.5	44	12
LSBP300ViS7P-4	71.5	90	25.05	67.29	X	X	24	X	24	10.5	44	12
LSBP350ViS7P-4	71.5	90	25.05	67.29	X	X	24	X	24	10.5	44	12



iS7 208/230VAC (LSBP100 to 125) / iS7 460VAC (LSBP150 to 200)



iS7 460VAC (LSBP250 to 400)



# Dimensions

## LSBP Bypass & Configured Package (NEMA12)

### H100 208/230VAC

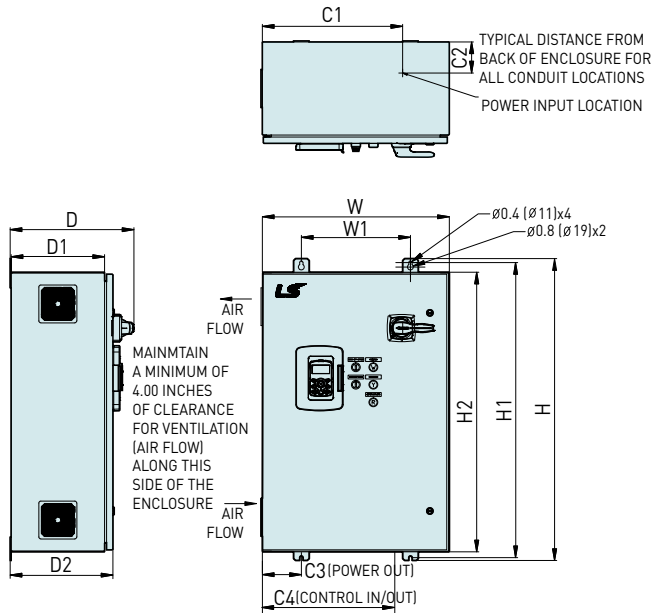
Bypass Model LSBP	Dimensions (in)											
	W	H	D	W1	H1	H2	D1	D2	C1	C2	C3	C4
LSBP001H100P	24	38.9	15.9	14	38	36	12	13.2	18	4	5	17
LSBP002H100P	24	38.9	15.9	14	38	36	12	13.2	18	4	5	17
LSBP003H100P	24	38.9	15.9	14	38	36	12	13.2	18	4	5	17
LSBP005H100P	24	38.9	15.9	14	38	36	12	13.2	18	4	5	17
LSBP007H100P	24	38.9	15.9	14	38	36	12	13.2	18	4	5	17
LSBP010H100P	24	38.9	15.9	14	38	36	12	13.2	18	4	5	17
LSBP015H100P	24	38.9	15.9	14	38	36	12	13.2	18	4	5	17
LSBP020H100P	30	44.875	15.9	18	44	42	12	13.2	22	4	7	22
LSBP025H100P	30	44.875	15.9	18	44	42	12	13.2	22	4	7	22

### H100 460VAC

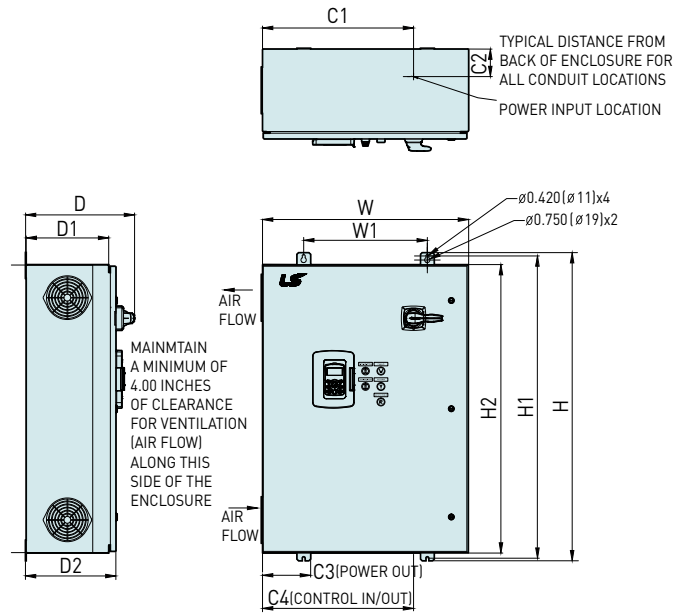
Bypass Model LSBP	Dimensions (in)											
	W	H	D	W1	H1	H2	D1	D2	C1	C2	C3	C4
LSBP001H100P-4F	24	38.9	15.9	14	38	36	12	13.2	18	4	5	17
LSBP002H100P-4F	24	38.9	15.9	14	38	36	12	13.2	18	4	5	17
LSBP003H100P-4F	24	38.9	15.9	14	38	36	12	13.2	18	4	5	17
LSBP005H100P-4F	24	38.9	15.9	14	38	36	12	13.2	18	4	5	17
LSBP007H100P-4F	24	38.9	15.9	14	38	36	12	13.2	18	4	5	17
LSBP010H100P-4F	24	38.9	15.9	14	38	36	12	13.2	18	4	5	17
LSBP015H100P-4F	24	38.9	15.9	14	38	36	12	13.2	18	4	5	17
LSBP020H100P-4F	30	44.875	15.9	18	44	42	12	13.2	22	4	7	22
LSBP025H100P-4F	30	44.875	15.9	18	44	42	12	13.2	22	4	7	22
LSBP030H100P-4F	30	44.875	15.9	18	44	42	12	13.2	22	4	7	22
LSBP040H100P-4F	30	44.875	15.9	18	44	42	12	13.2	22	4	7	22
LSBP050H100P-4F	36	62.4	19.9	24	61.5	59.5	16	17.2	27	6	8	30
LSBP060H100P-4F	36	62.4	19.9	24	61.5	59.5	16	17.2	27	6	8	30
LSBP075H100P-4F	36	62.4	19.9	24	61.5	59.5	16	17.2	27	6	8	30
LSBP100H100P-4	36	75.5	21.74	X	72	X	18	X	27	10	7	15
LSBP125H100P-4	36	75.5	21.74	X	72	X	18	X	27	10	7	15



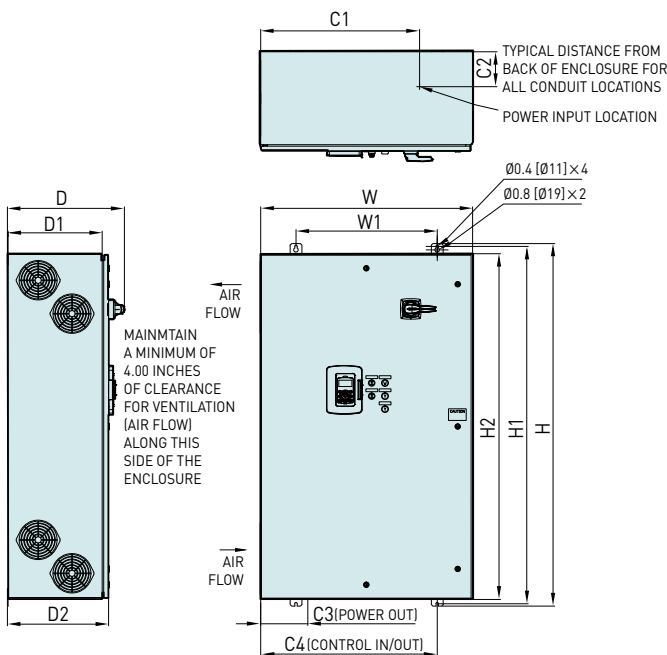
H100 208/230VAC (LSBP001 to 015) / H100 460VAC (LSBP001 to 015)



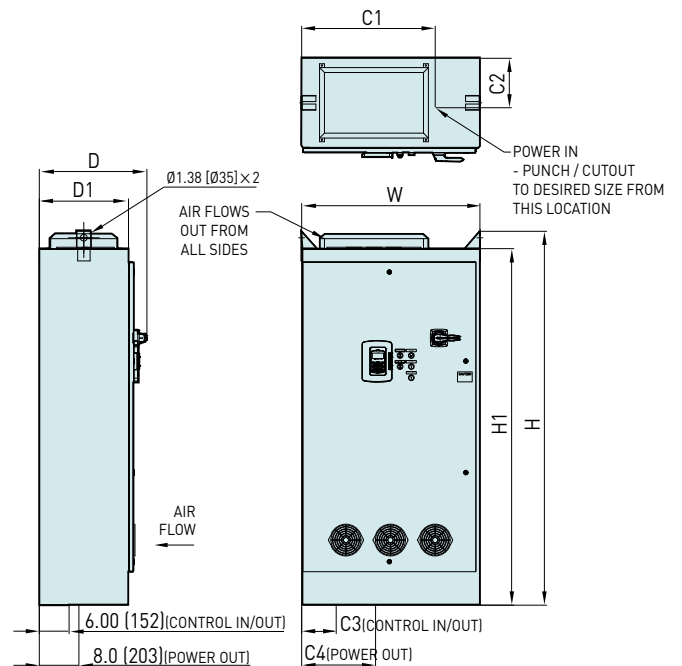
H100 208/230VAC (LSBP020 to 025) / H100 460VAC (LSBP020 to 040)



H100 460VAC (LSBP050 to 075)



H100 460VAC (LSBP100 to 125)



# Dimensions

## LSBP Bypass & Configured Package (NEMA3R)

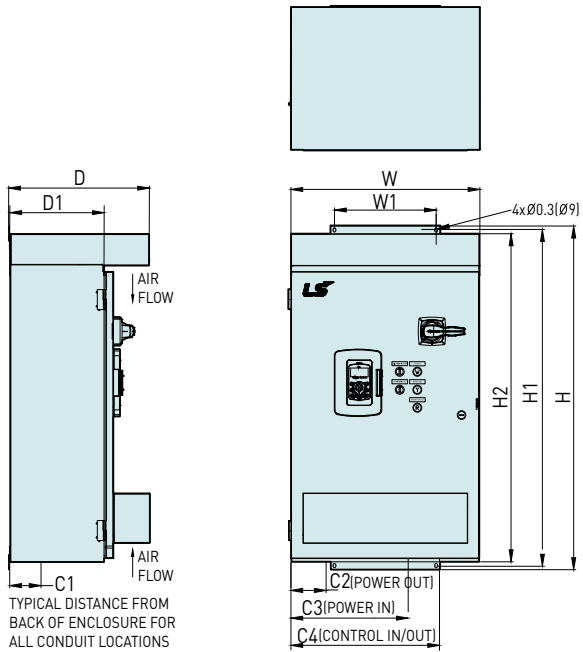
### H100 208/230VAC

Bypass Model LSBP	Dimensions (in)											
	W	H	D	W1	W2	H1	H2	D1	C1	C2	C3	C4
LSBP001H100P	24.1	42.9	18	13	X	42.1	41	12.1	4	4.5	15	19
LSBP002H100P	24.1	42.9	18	13	X	42.1	41	12.1	4	4.5	15	19
LSBP003H100P	24.1	42.9	18	13	X	42.1	41	12.1	4	4.5	15	19
LSBP005H100P	24.1	42.9	18	13	X	42.1	41	12.1	4	4.5	15	19
LSBP007H100P	24.1	42.9	18	13	X	42.1	41	12.1	4	4.5	15	19
LSBP010H100P	24.1	42.9	18	13	X	42.1	41	12.1	4	4.5	15	19
LSBP015H100P	24.1	42.9	18	13	X	42.1	41	12.1	4	4.5	15	19
LSBP020H100P	42.6	57	21.9	36.2	27	56.16	55	16.08	4	7	22.5	28
LSBP025H100P	42.6	57	21.9	36.2	27	56.16	55	16.08	4	7	22.5	28

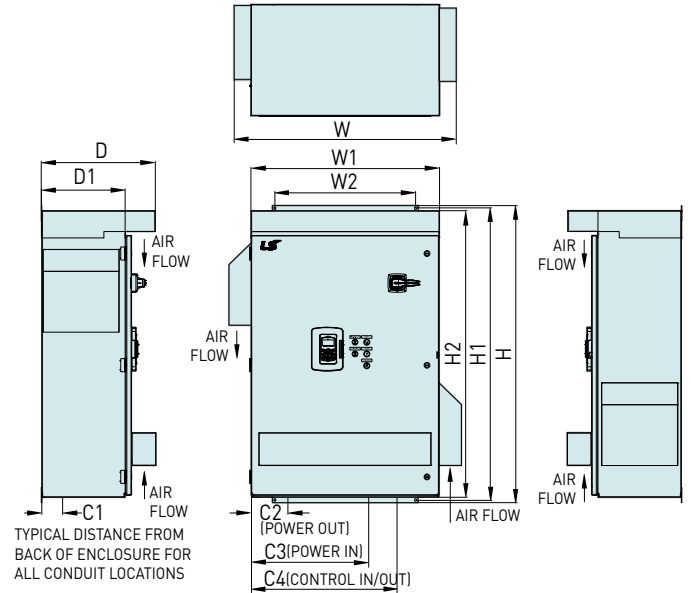
### H100 460VAC

Bypass Model LSBP	Dimensions (in)													
	W	H	D	W1	W2	H1	H2	D1	D2	C1	C2	C3	C4	C5
LSBP001H100P-4F	24.1	42.9	18	13	X	42.1	41	12.1	X	4	4.5	15	19	X
LSBP002H100P-4F	24.1	42.9	18	13	X	42.1	41	12.1	X	4	4.5	15	19	X
LSBP003H100P-4F	24.1	42.9	18	13	X	42.1	41	12.1	X	4	4.5	15	19	X
LSBP005H100P-4F	24.1	42.9	18	13	X	42.1	41	12.1	X	4	4.5	15	19	X
LSBP007H100P-4F	24.1	42.9	18	13	X	42.1	41	12.1	X	4	4.5	15	19	X
LSBP010H100P-4F	24.1	42.9	18	13	X	42.1	41	12.1	X	4	4.5	15	19	X
LSBP015H100P-4F	24.1	42.9	18	13	X	42.1	41	12.1	X	4	4.5	15	19	X
LSBP020H100P-4F	42.6	57	21.9	36.2	27	56.16	55	16.08	X	4	7	22.5	28	X
LSBP025H100P-4F	42.6	57	21.9	36.2	27	56.16	55	16.08	X	4	7	22.5	28	X
LSBP030H100P-4F	42.6	57	21.9	36.2	27	56.16	55	16.08	X	4	7	22.5	28	X
LSBP040H100P-4F	42.6	57	21.9	36.2	27	56.16	55	16.08	X	4	7	22.5	28	X
LSBP050H100P-4F	42.6	69	21.9	36.2	27	68.2	67	16	X	4	8	23	29	X
LSBP060H100P-4F	42.6	69	21.9	36.2	27	68.2	67	16	X	4	8	23	29	X
LSBP075H100P-4F	42.6	69	21.9	36.2	27	68.2	67	16	X	4	8	23	29	X
LSBP100H100P-4	40.32	79.95	23.38	36	X	72	X	21.74	18	6	8	7	15	30
LSBP125H100P-4	40.32	79.95	23.38	36	X	72	X	21.74	18	6	8	7	15	30

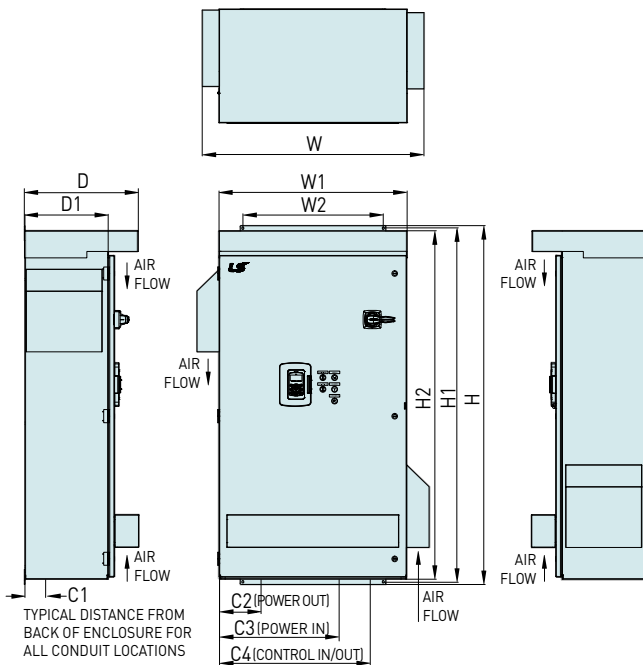
H100 208/230VAC (LSBP001 to 015) / H100 460VAC (LSBP001 to 015)



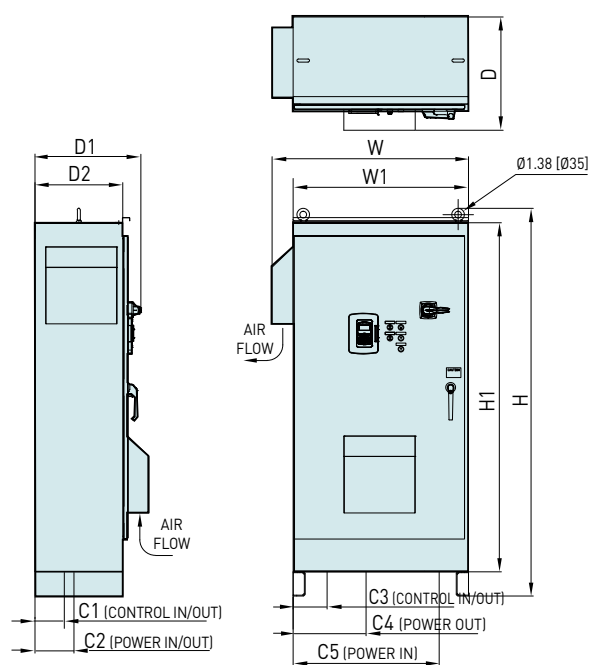
H100 208/230VAC (LSBP020 to 025) / H100 460V (LSBP020 to 040)



H100 460VAC (LSBP050 to 075)



H100 460VAC (LSBP100 to 125)



# Dimensions

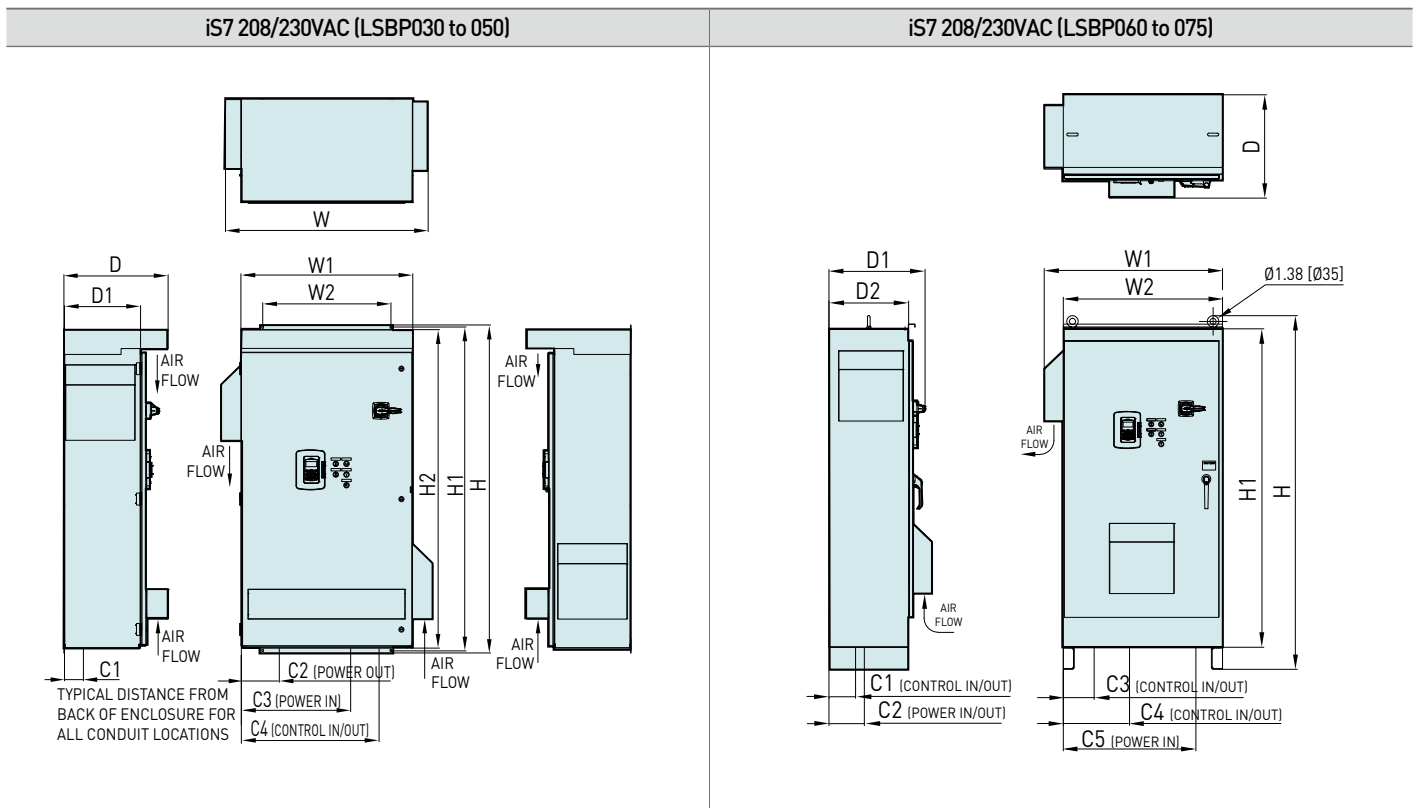
## LSBP Bypass & Configured Package (NEMA3R)

### iS7 208/230VAC

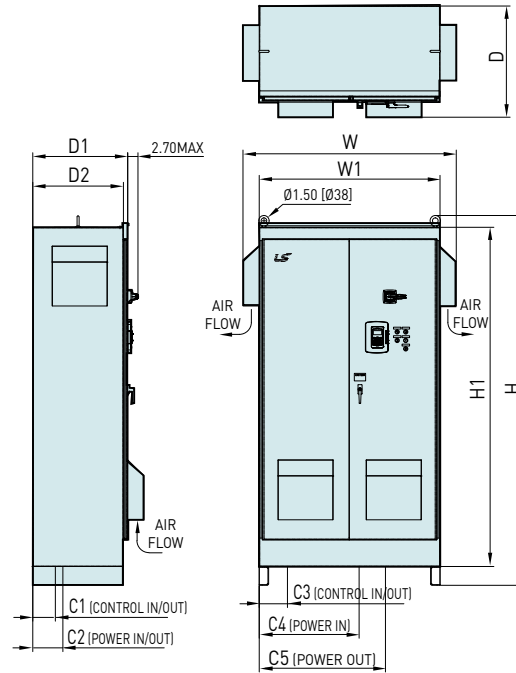
Bypass Model LSBP	Dimensions (in)													
	W	H	D	W1	W2	H1	H2	D1	D2	C1	C2	C3	C4	C5
LSBP030ViS7P	42.6	69	21.9	36.2	27	68.2	67	16	X	4	8	23	29	X
LSBP040ViS7P	42.6	69	21.9	36.2	27	68.2	67	16	X	4	8	23	29	X
LSBP050ViS7P	42.6	69	21.9	36.2	27	68.2	67	16	X	4	8	23	29	X
LSBP060ViS7P	40.32	79.95	23.38	36	X	72	X	21.74	18	6	8	7	15	30
LSBP075ViS7P	40.32	79.95	23.38	36	X	72	X	21.74	18	6	8	7	15	30
LSBP100ViS7P	56.65	98.21	29.54	48	X	90.06	X	25.22	24.06	6	8	7.5	26.5	33.5
LSBP125ViS7P	56.65	98.21	29.54	48	X	90.06	X	25.22	24.06	6	8	7.5	26.5	33.5

### iS7 460VAC

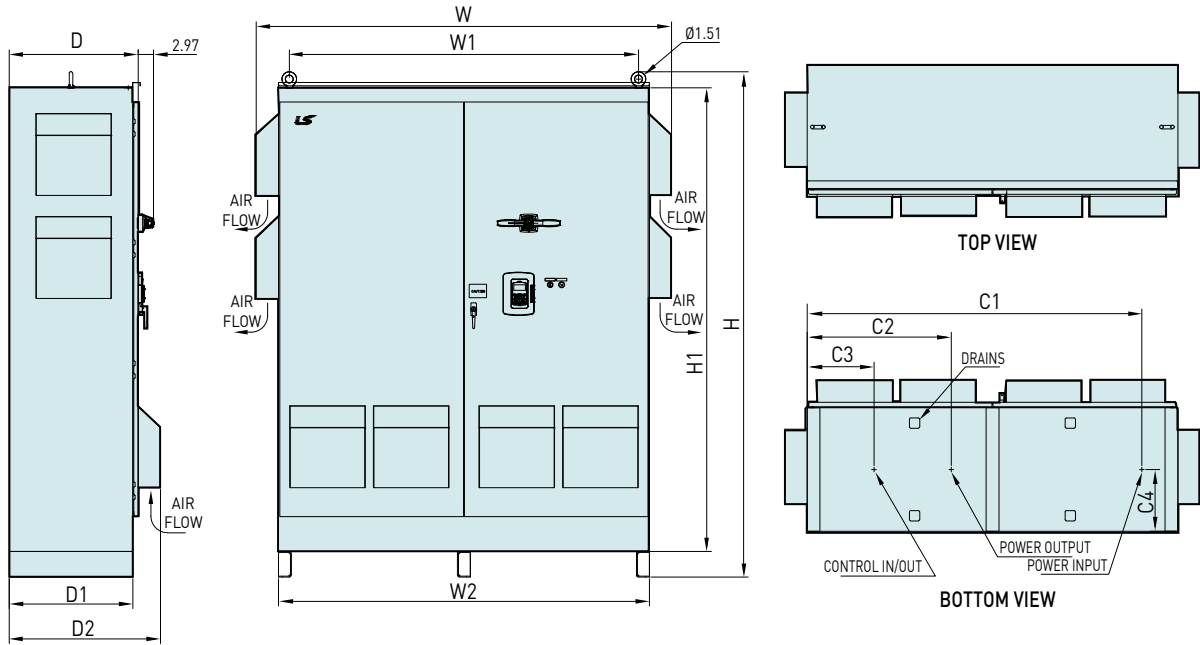
Bypass Model LSBP	Dimensions (in)													
	W	H	D	W1	W2	H1	H2	D1	D2	C1	C2	C3	C4	C5
LSBP150ViS7P-4	56.65	98.21	29.54	48	X	90.06	X	25.22	24.06	6	8	7.5	26.5	33.5
LSBP200ViS7P-4	56.65	98.21	29.54	48	X	90.06	X	25.22	24.06	6	8	7.5	26.5	33.5
LSBP250ViS7P-4	80.65	98.12	25.05	67.79	72	90	X	24	29.38	65	28	13	12	X
LSBP275ViS7P-4	80.65	98.12	25.05	67.79	72	90	X	24	29.38	65	28	13	12	X
LSBP300ViS7P-4	80.65	98.12	25.05	67.79	72	90	X	24	29.38	65	28	13	12	X
LSBP350ViS7P-4	80.65	98.12	25.05	67.79	72	90	X	24	29.38	65	28	13	12	X



iS7 208/230VAC (LSBP 100 to 125) / iS7 460VAC (LSBP 150 to 200)



iS7 460VAC (LSBP 250 to 400)




# Warranty/Service

## Warranty

For complete warranty details please refer to LSIS USA's Terms & Conditions, provided separately and available upon request. The product warranty period is 24 months from date of shipment and covers all parts of the product provided by LSIS USA.

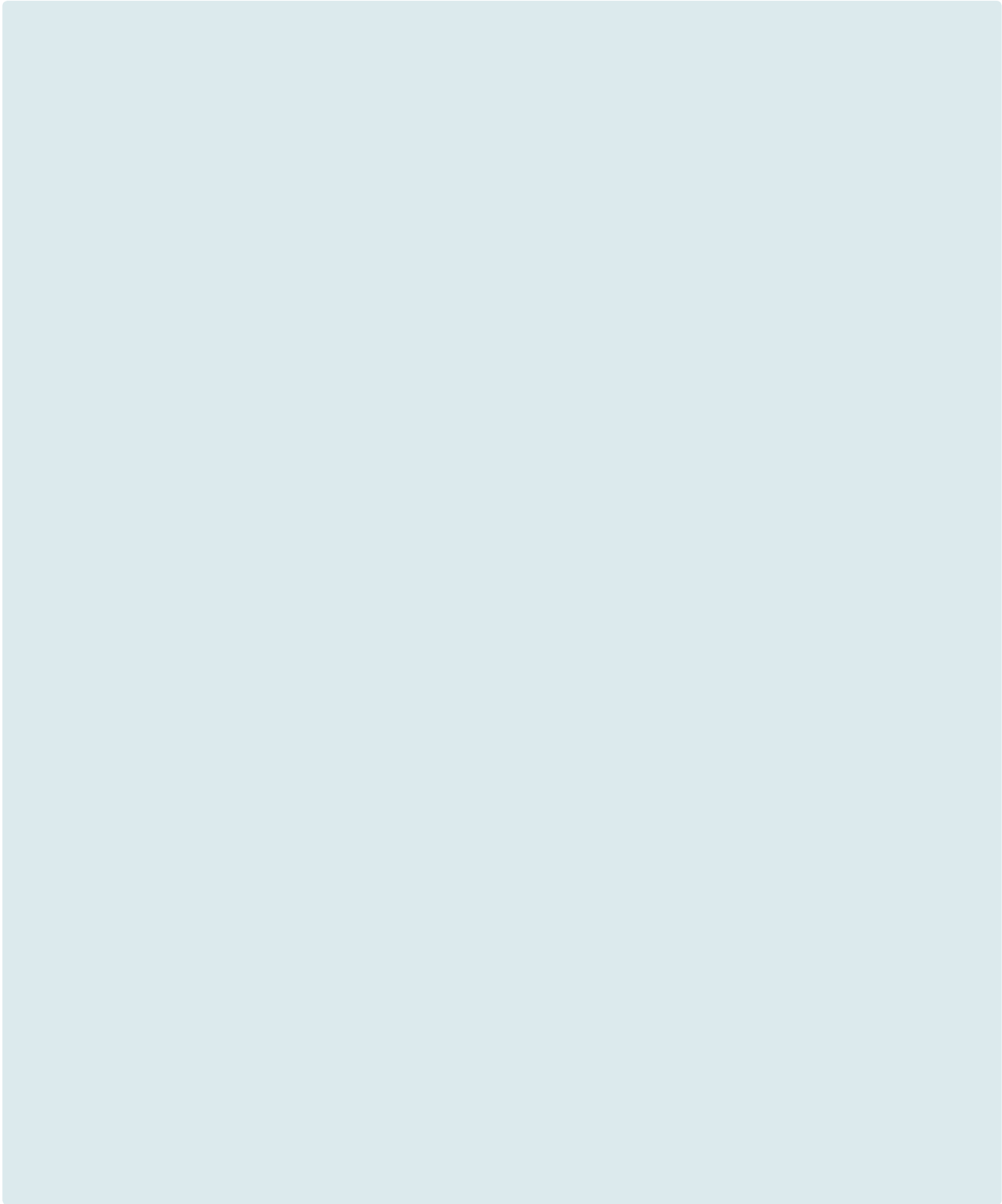
## Service

For assistance in determining: warranty status, trouble shooting, identification of defective parts, ordering replacement or spare parts for non-warranty covered products, programming assistance, or other related product support please call:

 **1-800-891-2941**

## Note

**Note**





#### Safety Instructions

- For your safety, please read user's manual thoroughly before operating.
- Contact the nearest authorized service facility for examination, repair, or adjustment.
- Please contact qualified service technician when you need maintenance.  
Do not disassemble or repair by yourself!
- Any maintenance and inspection shall be performed by the personnel having expertise concerned.



[www.lsis.com](http://www.lsis.com)

#### ■ Head Quarter

LS-ro 127(Hogye-dong) Dongan-gu, Anyang-si, Gyeonggi-Do, 14119, Korea  
Tel: 82-2-2034-4902, 4684, 4429 Fax: 82-2-2034-4555

#### ■ Overseas Subsidiaries

- **LSIS(Dalian) Co., Ltd. (Dalian, Chin)**  
Tel: 86-411-8730-7510 Fax: 86-411-8730-7560 E-Mail: jiheo@lsis.com
- **LSIS(Wuxi) Co., Ltd. (Wuxi, China)**  
Tel: 86-510-8534-6666-8005 Fax: 86-510-8534-4078 E-Mail: sunhwank@lsis.com
- **LS VINA Industrial Systems Co., Ltd. (Hanoi, Vietnam)**  
Tel: 84-4-6275-8055 Fax: 84-4-3882-0220 E-Mail: hjchoid@lsis.com
- **LSIS Middle East FZE (Dubai, U.A.E.)**  
Tel: 971-4-886-5360 Fax: 971-4-886-5361 E-Mail: jungyongl@lsis.com
- **LSIS Europe B.V. (Amsterdam, Netherlands)**  
Tel: 31-20-654-1420 Fax: 31-20-654-1429 E-Mail: europartner@lsis.com
- **LSIS Japan Co., Ltd. (Tokyo, Japan)**  
Tel: 81-3-6268-8241 Fax: 81-3-6268-8240 E-Mail: jschuna@lsis.com
- **LSIS USA Inc. (Chicago, U.S.A.)**  
Tel: 1-800-891-2941 Fax: 847-383-6543 E-Mail: sales.us@lsis.com

#### ■ Overseas Branches

- **LSIS Shanghai Office (China)**  
Tel: 86-21-5237-9977 Fax: 86-21-5237-7189
- **LSIS Beijing Office (China)**  
Tel: 86-10-5761-3127 Fax: 86-10-5761-3128 E-Mail: sson@lsis.com
- **LSIS Guangzhou Office (China)**  
Tel: 86-20-8326-6784 Fax: 86-20-8326-6287 E-Mail: sojhtroh@lsis.com
- **LSIS Qingdao Office (China)**  
Tel: 86-532-8501-6058 Fax: 86-532-8501-6057 E-Mail: sson@lsis.com
- **LSIS Chengdu Office (China)**  
Tel: 86-28-8670-3200 Fax: 86-28-8670-3203 E-Mail: yangcf@lsis.com
- **LSIS ShenYang Office (China)**  
Tel: 86-24-2321-9050 Fax: 86-24-8386-7210 E-Mail: yangcf@lsis.com
- **LSIS Jinan Office (China)**  
Tel: 86-531-8699-7826 Fax: 86-531-8697-7628 E-Mail: yangcf@lsis.com
- **LSIS Co., Ltd. Tokyo Office (Japan)**  
Tel: 81-3-6268-8241 Fax: 81-3-6268-8240 E-Mail: jschuna@lsis.com
- **LSIS Co., Ltd. Rep. Office (Vietnam)**  
Tel: 84-8-3823-7890 E-Mail: sjbaik@lsis.com
- **LSIS Moscow Office (Russia)**  
Tel: 7-495-258-1466 Fax: 7-495-258-1467 E-Mail: jdpark1@lsis.com
- **LSIS Jakarta Office (Indonesia)**  
Tel: 62-21-293-7614 E-Mail: dioh@lsis.com