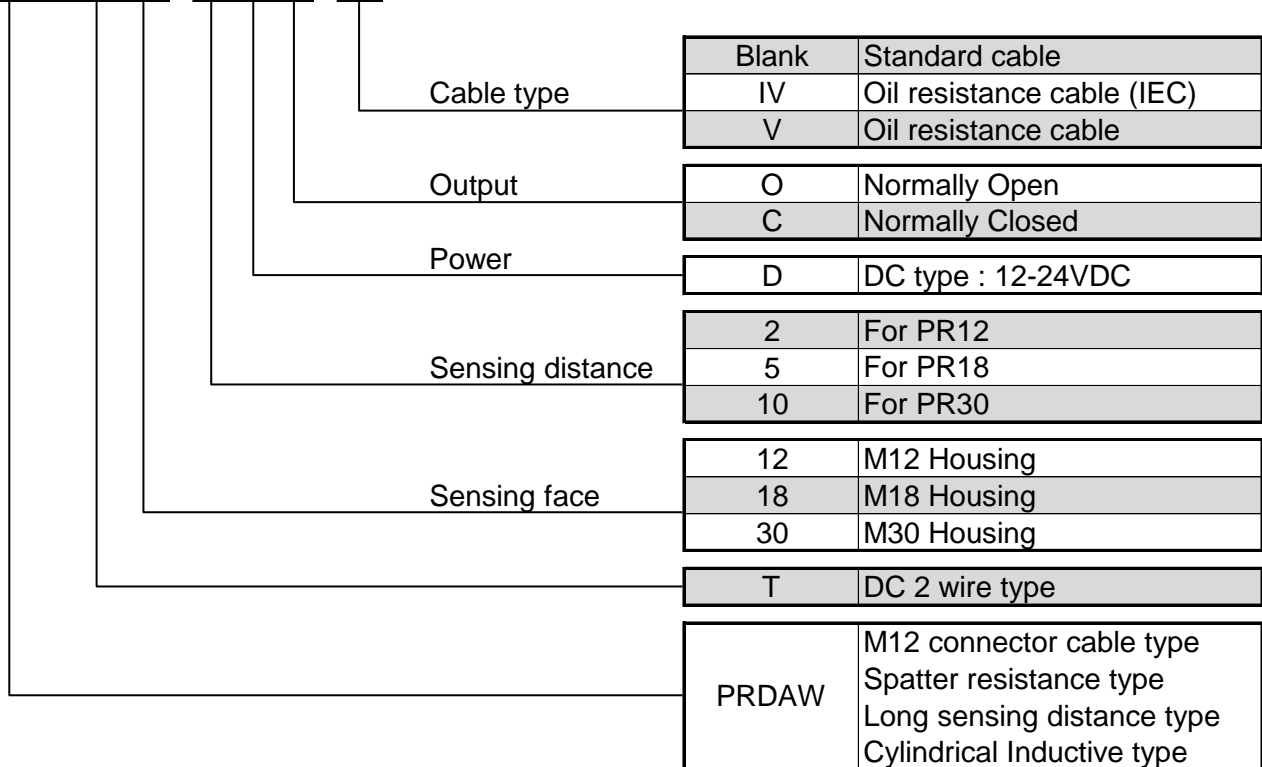


## PRDAW series Ordering Information

PRDAW T 18 - 7 D O - V



**PRDACM series, Long sensing distance,  
DC 2 wire, M12 connector type**

Housing size (mm)		Sensing distance (mm)	Output	Part name
Sensing face	Body Length	Shielded (Flush)		
M12	56.3	2	NO	PRDCMT12-2DO
			NC	PRDCMT12-2DC
			NO	PRDCMT12-2DO-I
			NC	PRDCMT12-2DC-I
M18	54.8	7	NO	PRDCMT18-5DO
			NC	PRDCMT18-5DC
			NO	PRDCMT18-5DO-I
			NC	PRDCMT18-5DC-I
M30	64.3	15	NO	PRDCMT30-10DO
			NC	PRDCMT30-10DC
			NO	PRDCMT30-10DO-I
			NC	PRDCMT30-10DC-I

Note - I : IEC standard (IEC)

**PRDACM series, Long sensing distance,  
DC 3 wire, M12 connector type**

Housing size (mm)		Sensing distance (mm)	Output	Part name
Sensing face	Body Length	Shielded (Flush)		
M12	56.3	2	NPN NO	PRDCM12-2DN
			NPN NC	PRDCM12-2DN2
			PNP NO	PRDCM12-2DP
			PNP NC	PRDCM12-2DP2
M18	54.8	7	NPN NO	PRDCM18-5DN
			NPN NC	PRDCM18-5DN2
			PNP NO	PRDCM18-5DP
			PNP NC	PRDCM18-5DP2
M30	64.3	15	NPN NO	PRDCM30-10DN
			NPN NC	PRDCM30-10DN2
			PNP NO	PRDCM30-10DP
			PNP NC	PRDCM30-10DP2