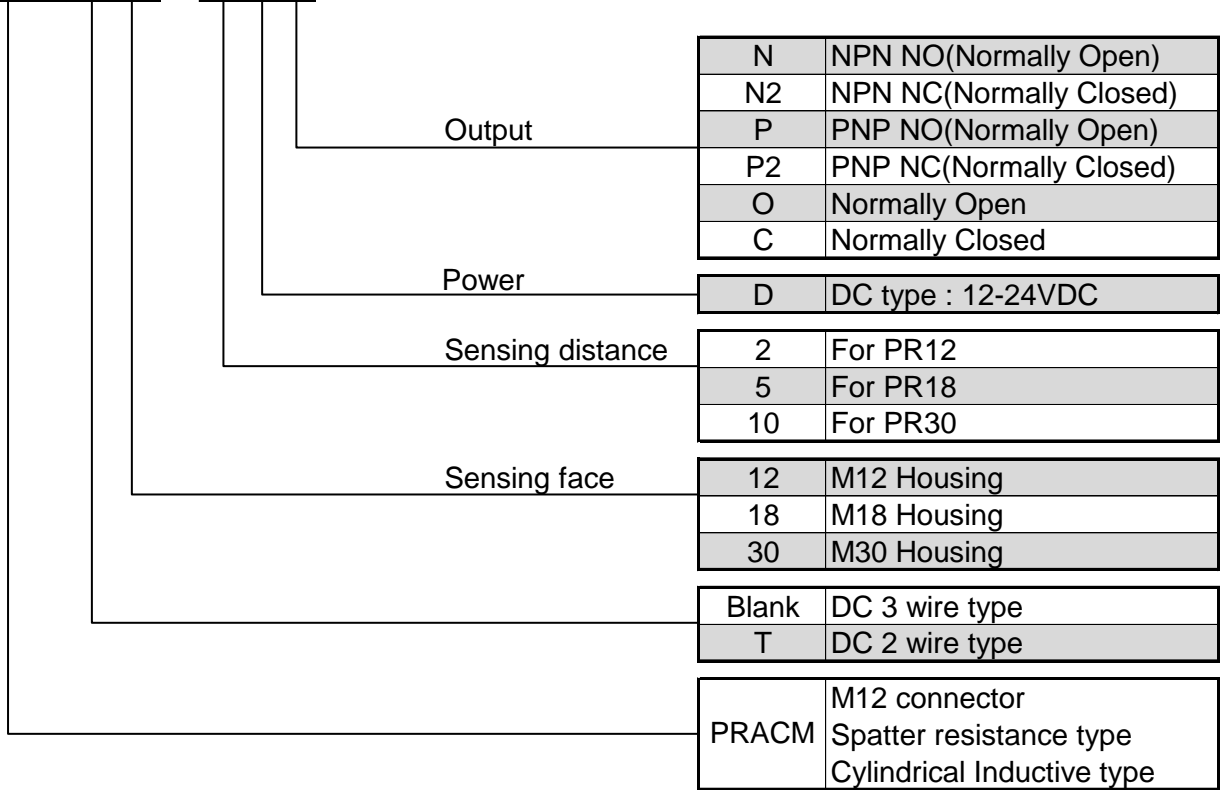


# PRACM series Ordering Information

PRACM T 18 - 5 D N



N	NPN NO(Normally Open)
N2	NPN NC(Normally Closed)
P	PNP NO(Normally Open)
P2	PNP NC(Normally Closed)
O	Normally Open
C	Normally Closed

D	DC type : 12-24VDC
---	--------------------

2	For PR12
5	For PR18
10	For PR30

12	M12 Housing
18	M18 Housing
30	M30 Housing

Blank	DC 3 wire type
T	DC 2 wire type

PRACM	M12 connector Spatter resistance type Cylindrical Inductive type
-------	--

### PRACMT series, Spatter-resistance, DC 2 wire, M12 connector

Housing size (mm)		Sensing distance	Output	Part name
Sensing face	Body Length			
M12	56.3	2	NO	PRACMT12-2DO
			NC	PRACMT12-2DC
			NO	PRACMT12-2DO-I
			NC	PRACMT12-2DC-I
M18	54.8	5	NO	PRACMT18-5DO
			NC	PRACMT18-5DC
			NO	PRACMT18-5DO-I
			NC	PRACMT18-5DC-I
M30	64.3	10	NO	PRACMT30-10DO
			NC	PRACMT30-10DC
			NO	PRACMT30-10DO-I
			NC	PRACMT30-10DC-I

Note - I : IEC standard (IEC)

### PRACM series, Spatter-resistance, DC 3 wire, M12 connector

Housing size (mm)		Sensing distance	Output	Part name
Sensing face	Body Length			
M12	56.3	2	NPN NO	PRACM12-2DN
			NPN NC	PRACM12-2DN2
			PNP NO	PRACM12-2DP
			PNP NC	PRACM12-2DP2
M18	54.8	5	NPN NO	PRACM18-5DN
			NPN NC	PRACM18-5DN2
			PNP NO	PRACM18-5DP
			PNP NC	PRACM18-5DP2
M30	64.3	10	NPN NO	PRACM30-10DN
			NPN NC	PRACM30-10DN2
			PNP NO	PRACM30-10DP
			PNP NC	PRACM30-10DP2