

# Mi4F Series

40mm Surface Mount Flat-type LED Indicator



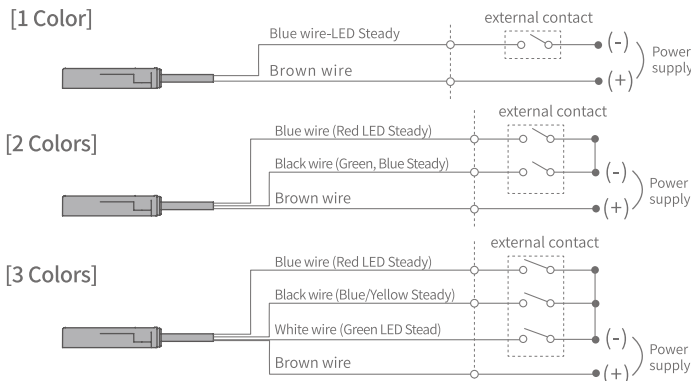
- Compact, stylish design with excellent visibility
- Space saving surface mounted type
- Slim Profile for installing in narrow area
- Single-color or Multi-color models available
- Lead wire or M12 connector cable type

## Ordering Information

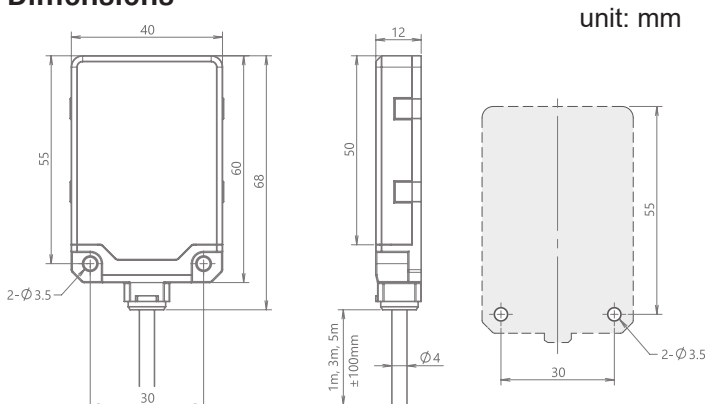
Mi4F - ① 02 R - ② L3 ③

① Voltage		02	24VDC
② LED Colors	1 Color	R	Red
		Y	Yellow
		G	Green
		B	Blue
		W	White
	Multi color	RG	Red/Green
		RB	Red/Blue
RYG		5 color combinations	
③ Length of Power Cable	Lead wire type	L1	1m
		L3	3m
		L5	5m
	Connector cable Type	CM	150mm (M12, 4pin)

## Wiring Diagram



## Dimensions



## Specifications

Power Supply	24VDC ±10%
Function	LED Steady
Material	Body - PA6 Resin, Lenses - PC Resin, Cable Bush - Aluminum
Fixing Method	Fix the body to the surface using M3 bolts (2 pcs)
Degree of Protection	IP65
Ambient Temperature	-20 ~ +50°C (No Freezing)
Storage Temperature	-30 ~ +70°C (No Freezing)
Ambient Humidity	45~85% RH (No Condensation)
Vibration-Resistant	30Hz (1 minute cycle) 1 Hours Double Amplitude 0.5mm in X, Y, Zrespective Direction
Certification	RoHS

	1 Color	2 Colors	3 Colors
Current ±5mA	Red LED - 26mA Yellow LED - 24mA Green LED - 18mA Blue LED - 20mA White LED - 21mA	RG LED - 48mA RB LED - 48mA	RYG LED - 48mA RBG LED - 48mA
Weight (1m Power Cable)	app. 44g	app. 52g	app. 55g
LED Color	R - Red Y - Yellow G - Green B - Blue W - White	RG - Red / Green RB - Red / Blue	RYG - Red / Yellow / Green RBG - Red / Blue / Green
Lens Color	R - Red lens Y - Yellow lens G - Green lens B - Blue lens W - Clear lens	Clear lens	
Cable Spec	UL2095 23AWG, PVC, External Dimensions: Ø4mm Allowable Cable Bending Radius: 30mm		
Product luminance (cd/m <sup>2</sup> )	Red:1200 Yellow:850 Green:3700 Blue:1700 White:5050	Red: 1050 Green: 3260 Blue: 1300	Red: 1050 Yellow: 600 Green: 3260 Blue: 1300

- Due to characteristics of the LED, color temperature and brightness may differ in every product.

## Wiring for Color Combinations

No.	Wiring work	RBG LED	RYG LED
1	Blue Wire	Red	Red
2	Black Wire	Blue	Orange
3	White Wire	Green	Green
4	Blue+White Wire	Light Green	Light Green
5	Blue+Black wire	Pink	Red
6	White+Black wire	Cyan	Green
7	Blue+White+ Black	White	Yellow