



MSP-H Series

Horn Speaker

- Compact and light weight type
- 15W Output, 108dB Horn Speaker
- IP65 protection structure front speaker
- 4 colors: ivory / black / red / nickel plated type



Specifications

Maximum Rated Input	15W
Impulse	6 Ohm
Frequency band	1000~4000Hz
Maximum Volume	108dB (at. 1M)
Material	Body - ABS , Rubber - NBR
Ambient temperatur	-20 ~ 50°C
Storage temperature	-20 ~ 65°C
Vibration resistance	10~55Hz(Cycle: 1 minute) Multi-amplitude 0.75mm X,Y,Z - 1 hour in each direction
Protection rate	MSP-HP type: IP65(Front) , MSP-HB type: IP60
Applicable wiring specification	2464UL/22AWG , 2P , 450mm
Weight	App. 410g (MSP-HP Standard)

Ordering Information

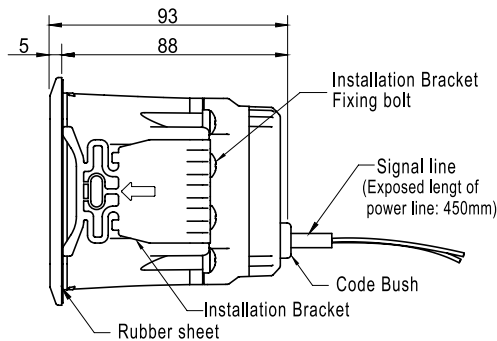
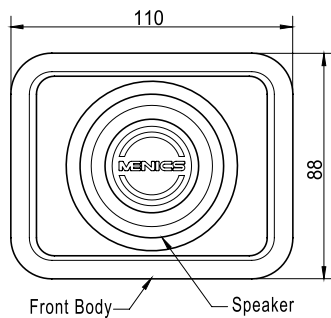
MSP - H P15 B
 ① ②

① Mounting	P15	Panel Mounting
	B15	Bracket Mounting
② Body Colors	No mark	Ivory
	B	Black
	R	Red
	P	Nickel Coated

Dimensions

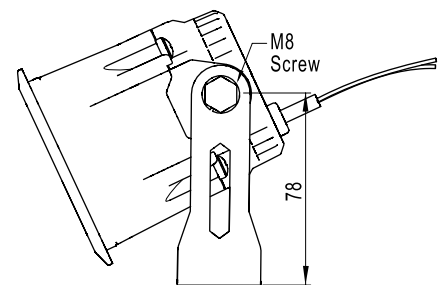
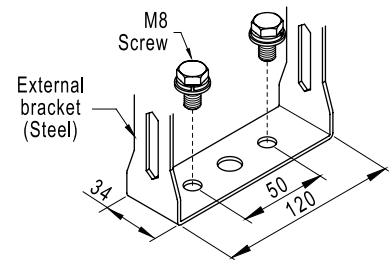
(Unit: mm)

MSP-HP Type



MSP-HB Type

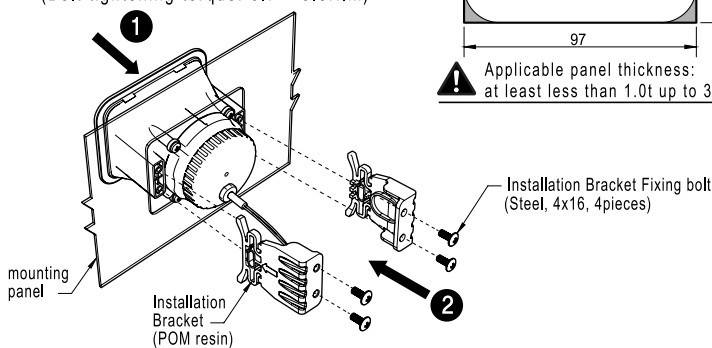
MSP-HB type is product to fix speakers on the equipment or on the wall of a building other than a panel.
Speaker angle can be adjusted up and down after fixing.



Code No. 3703000087 MSP-H15_MAN-A4-En-201802D

▼ How to install panel

1. Remove the installation bracket and bolts with a screwdriver from the product.
2. Insert the speaker in the direction of ① on the panel.
3. Mount the installation bracket to the direction of ② and fix with fixing bolt to prevent from shaking.
(Bolt tightening torque: 0.7 ~ 0.8N.m)



▼ Panel cutout dimensions

