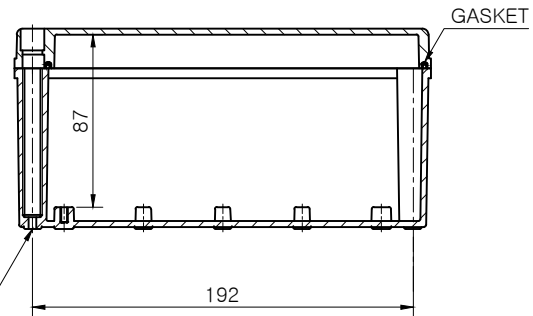
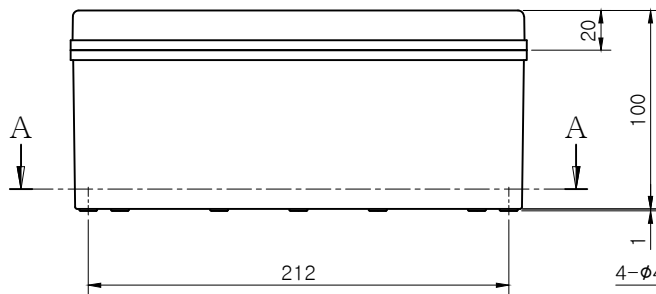


SECTION A-A



SECTION B-B

Note.

MODEL (모델)	BC-□□S-212310		D R (재도)	JUNG, Y.J.	16.06.07	UNIT (단위)	mm
ASSY (완성 규격)	210 * 230 * 100		C K (검도)	PARK, Y.J.	16.06.07	SCALE (척도)	1:2.5
DWG NO (도번)	S-212310-3	MATERIAL (재질)	A P (승인)	KIM, D.S.	16.06.08	REV. (개정)	0

BOXCO