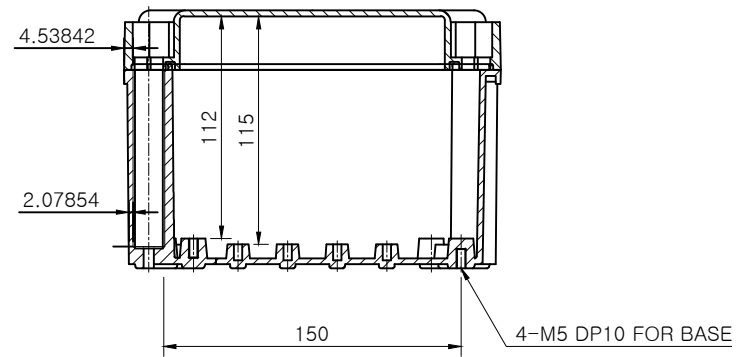
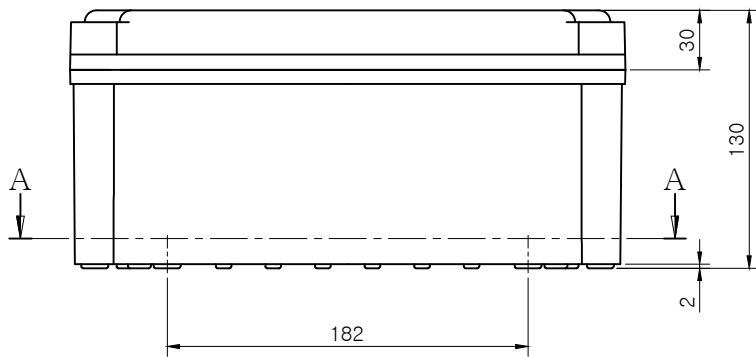


SECTION A-A



SECTION B-B

Note.

MODEL (모델)	BC-□□S-192813		D R (재도)	JUNG,Y.J.	16.09.06	UNIT (단위)	mm
ASSY (원형 규격)	190 * 280 * 130		C K (검도)	PARK,Y.J.	16.09.06	SCALE (척도)	1:2.5
DWG NO (도번)	S-192813-03	MATERIAL (재질)	A P (승인)	KIM,D.S.	16.09.07	REV. (개정)	1

**BOXCO®**