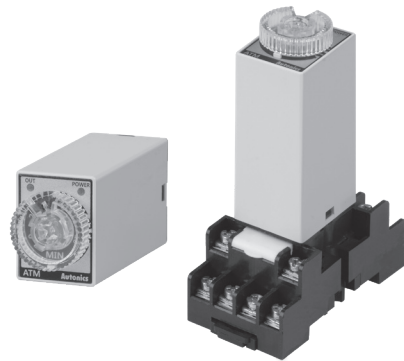


W21.5×H28mm Miniature Timer

■ Features

- Miniature Size (W21.5×H28×L59.3mm)
- 4c (4PDT) contact (250VAC, 3A)
- High precise time control
- Easy time setting using dial
- Various time ranges
 - : 0.1 sec to 3 hour (11 time ranges, different by models)
- Power supply
 - ATM4-2: 24VDC
 - ATM4-5: 220VAC 50/60Hz
 - ATM4-6: 110VAC 50/60Hz



Mounting My socket
(sold separately)

■ Ordering Information

ATM	4	—	5	10	S	
						Time unit
						Time range
						Power supply
						Output
						Item
					S	Sec (1, 5, 10, 30, 60)
					M	Min (3, 5, 10, 30, 60)
					H	Hour (3)
					Number	Max. time range
					2	24VDC
					5	220VAC 50/60Hz
					6	110VAC 50/60Hz
					4	4c (4PDT)
					ATM	Miniature Analog Timer

■ Specifications

Model	ATM4 - 2□S 2□M 23H	ATM4 - 5□S 5□M 53H	ATM4 - 6□S 6□M 63H
Function	Power ON Delay		
Control time setting range ^{※1}	0.1 sec to 3 hour		
Power supply	24VDC [≡]	220VAC~ 50/60Hz	110VAC~ 50/60Hz
Allowable voltage range	21.6-26.4VDC [≡]	200-230VAC~ 50/60Hz	100-120VAC~ 50/60Hz
Power consumption	Approx. 1.2W	Approx. 3VA	Approx. 3VA
Return time	Max. 100ms		
Timing operation	Power ON Start		
Control output	Contact type 4PDT (4c)		
	Contact capacity 250VAC~ 3A, 24VDC [≡] 3A resistive load		
Relay life cycle	Mechanical Min. 10,000,000 operations		
	Electrical Min. 200,000 operations		
Repeat error	Max. ±0.5% ±10ms		
SET error	Max. ±10% ±50ms		
Voltage error	Max. ±0.5% ±10ms		
Temperature error	Max. ±2% ±10ms		
Insulation resistance	Over 100MΩ (at 500VDC megger)		
Dielectric strength	3,000VAC 50/60Hz for 1 min		
Noise immunity	±2kV the square wave noise (pulse width: 1μs) by noise simulator		
Vibration	Mechanical 0.75mm amplitude at frequency of 10 to 55Hz (for 1 min) in each X, Y, Z direction for 1 hour		
	Electrical 0.5mm amplitude at frequency of 10 to 55Hz (for 1 min) in each X, Y, Z direction for 10 min		
Shock	Mechanical 300m/s ² (approx. 30G) in each X, Y, Z direction 3 times		
	Electrical 100m/s ² (approx. 10G) in each X, Y, Z direction 3 times		
Environment	Ambient temperature -10 to 50°C, storage: -25 to 65°C		
	Ambient humidity 35 to 85%RH, storage: 35 to 85%RH		
Weight ^{※2}	Approx. 48g (approx. 42g)		

※1: Refer to time specifications for control time setting range by model.

※2: The weight includes packaging. The weight in parenthesis is for unit only.

※Environment resistance is rated at no freezing or condensation.

SENSORS

CONTROLLERS

MOTION DEVICES

SOFTWARE

(J) Temperature Controllers

(K) SSRs

(L) Power Controllers

(M) Counters

(N) Timers

(O) Digital Panel Meters

(P) Indicators

(Q) Converters

(R) Digital Display Units

(S) Sensor Controllers

(T) Switching Mode Power Supplies

(U) Recorders

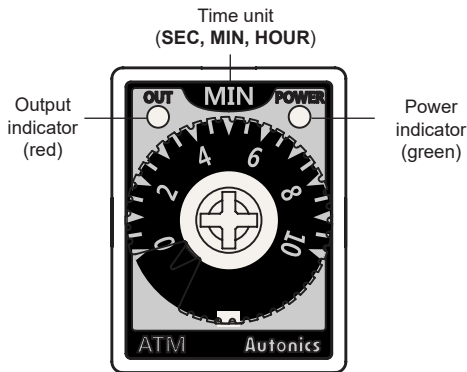
(V) HMIs

(W) Panel PC

(X) Field Network Devices

ATM Series

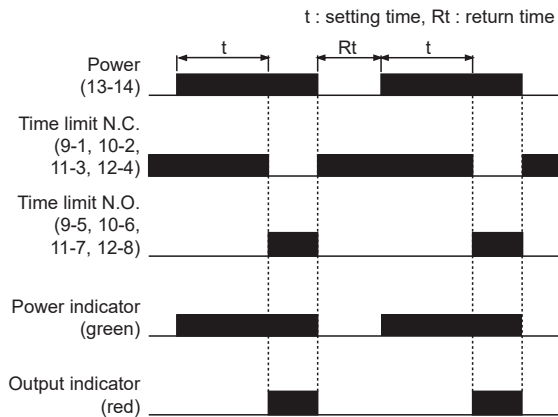
Unit Descriptions



Time Specifications

Model	Time unit	Time setting range
ATM4-□1S	SEC	0.1 to 1 sec
ATM4-□5S		0.5 to 5 sec
ATM4-□10S		1 to 10 sec
ATM4-□30S		3 to 30 sec
ATM4-□60S		6 to 60 sec
ATM4-□3M	MIN	0.3 to 3 min
ATM4-□5M		0.5 to 5 min
ATM4-□10M		1 to 10 min
ATM4-□30M		3 to 30 min
ATM4-□60M	HOUR	6 to 60 min
ATM4-□3H		0.3 to 3 hour

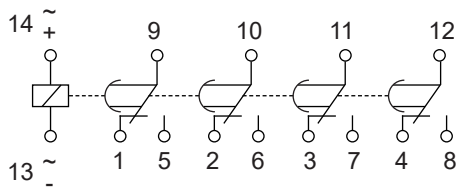
Operation Specifications



Connections

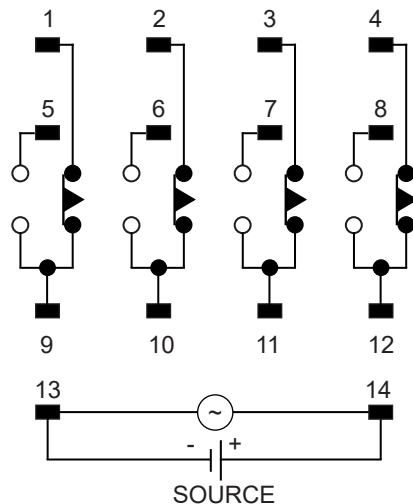
SOURCE	ATM4-2□□	24VDC 1.2W
	ATM4-5□□	200-230VAC 50/60Hz 3VA
	ATM4-6□□	100-120VAC 50/60Hz 3VA
CONTACT	250VAC 3A, 24VDC 3A RESISTIVE LOAD	

IEC marking



※IEC marking is on the unit.

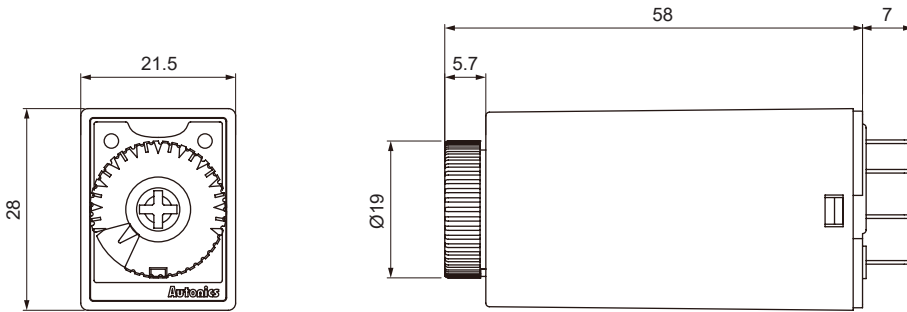
NEMA marking



Miniature Analog Timer

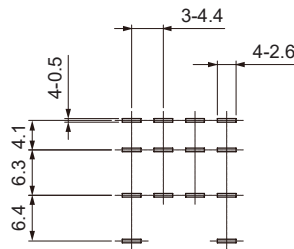
■ Dimensions

(unit: mm)



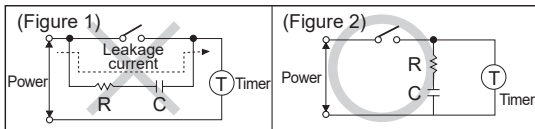
※Use My socket which is commercially available.

◎ Pin arrangement



■ Proper Usage

- Follow instructions in 'Proper Usage'. Otherwise, it may cause unexpected accidents.
 - 24VDC power supply should be insulated and limited voltage/current or Class 2, SELV power supply device.
 - When supplying or turning off the power, use a switch or etc. to avoid chattering.
 - Install a power switch or circuit breaker in the easily accessible place for supplying or disconnecting the power.
 - In order to avoid leakage current flowing, connect resistance and condenser as (Figure 2).
- If connect as (Figure 1), it may cause malfunction due to leakage current.



- Keep away from high voltage lines or power lines to prevent inductive noise.
In case installing power line and input signal line closely, use line filter or varistor at power line and shielded wire at input signal line.
Do not use near the equipment which generates strong magnetic force or high frequency noise.
- Change setting time, time range, operation mode or etc. after turning off the power of the timer.
- Do not use the unit in the place where flammable/explosive/corrosive gas, humidity, direct sunlight, radiant heat, vibration, impact, or salinity may be present.
Failure to follow this instruction may result in fire or explosion.
- This unit may be used in the following environments.
 - ① Indoors (in the environment condition rated in 'Specifications')
 - ② Altitude max. 2,000m
 - ③ Pollution degree 2
 - ④ Installation category II

SENSORS
CONTROLLERS
MOTION DEVICES
SOFTWARE

(J) Temperature Controllers
(K) SSRs
(L) Power Controllers
(M) Counters
(N) Timers
(O) Digital Panel Meters
(P) Indicators
(Q) Converters
(R) Digital Display Units
(S) Sensor Controllers
(T) Switching Mode Power Supplies
(U) Recorders
(V) HMIs
(W) Panel PC
(X) Field Network Devices