

# MW86T/M Series

Ø86mm LED/Multi Function Signal Lights

- High intensity LED
- 2 flashing mode: Standard and Emergency Signaling
- Adjustable Sound volume and Rotating speed
- 3 Melody & 3 siren modes
- Removable horn included



Horn Type



Standard Type



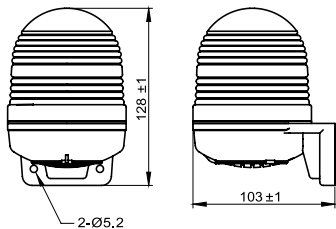
## Ordering Information

MW86 T - R 00 - Y - M3 (B)  
 ① ② ③ ④ ⑤

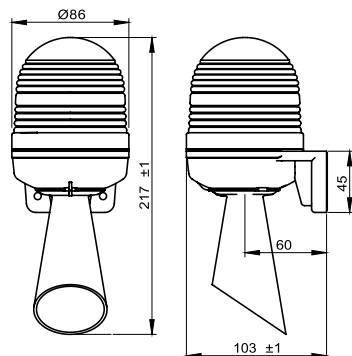
① Model	<b>T - R</b>	Steady/Flashing/Rotating	
	<b>M - F</b>	3 color in 1 Steady/Flashing	
② Power	<b>00</b>	12 ~ 24VDC	
	<b>FF</b>	90 ~ 240VAC	
③ Lens Colors	<b>MW86T</b>	<b>R</b>	Red
		<b>Y</b>	Yellow
		<b>G</b>	Green
		<b>B</b>	Blue
		<b>C</b>	Clear
	<b>MW86M</b>	<b>RYG</b>	Red, Yellow, Green
<b>RGB</b>		Red, Green, Blue	
④ Sound Type	<b>M3</b> (melody)		Fur Elise
			Home, Sweet home
			The Cuckoo Waltz
	<b>S3</b> (Siren)		Fire truck
			Police car
		Ambulance	
⑤ Body color	<b>no mark</b>	Ivory	
	<b>B</b>	Black	

## Dimensions (Unit: mm)

Standard Type



Horn Type

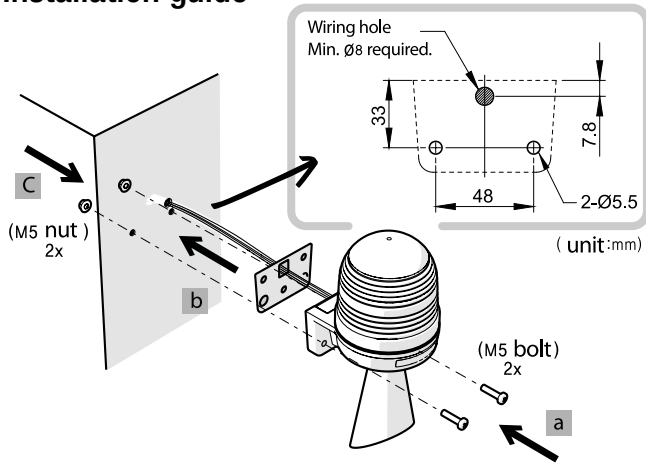


## Specifications

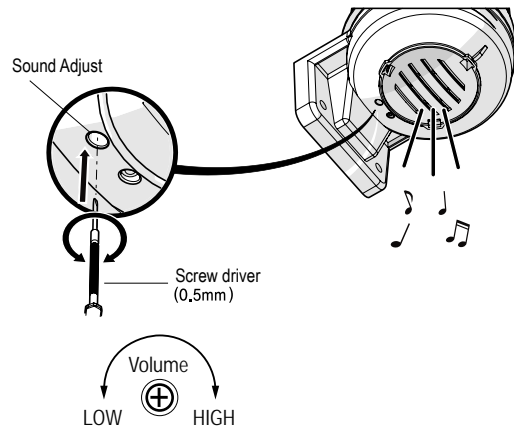
Model	MW86T		MW86M	
Lighting type	Steady / Flashing / Rotating		Steady / Flashing	
Power Supply	12 ~ 24VDC	90 ~ 240VAC(50~60Hz)	12 ~ 24VDC	90 ~ 240VAC(50~60Hz)
Current Consumption	Light	Max 0.32A ±10%	Max 0.10A ±10%	Max 0.40A ±10%
	w/Sound	Max. 0.52A±10%	Max 0.16A ±10%	Max 0.20A ±10%
Flash Rate	80 times/min ± 5 (F1), 240 times /min ± 10 (F3)			
Rotation Rate	60 ~ 300 ± 10 RPM(clock wise)		N/A	
Alarm Sound Level	Standard Type	55 ~ 85±5dB	Standard Type	55 ~ 85±5dB
	Horn Type	55 ~ 90±5dB	Horn Type	55 ~ 90±5dB
Material	Body: ABS, Lens: PC			
Insulation Resistance	100 MΩ minimum (500VDC mega)			
Ambient Temperature	-20~40°C			
Storage Temperature	-20~70°C			
Ambient Humidity	45~85% RH			
Degree of Protection	Standard Type	IP43	Standard Type	IP43
	Horn Type	IP54	Horn Type	IP54
Recommended Wire Size	UL1007/22AWG			
Weight	Standard Type	Approx. 279g	Standard Type	Approx. 286g
	Horn Type	Approx. 306g	Horn Type	Approx. 313g
Certificate/Compliance	UL, RoHS			

# Installation guide

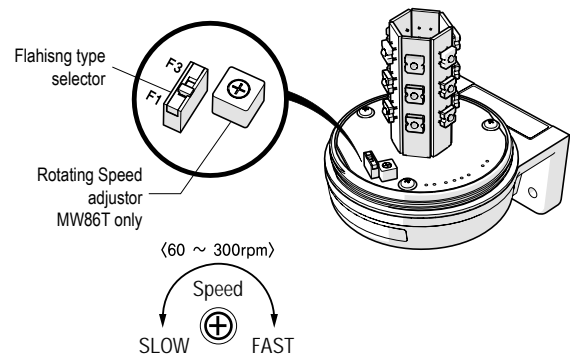
## Installation panel drawing



# Volume Control



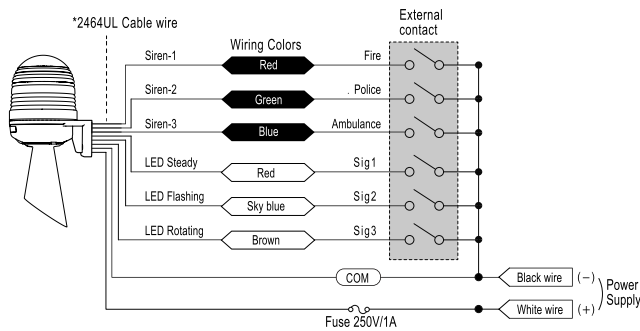
# Flashing/Rotating setting



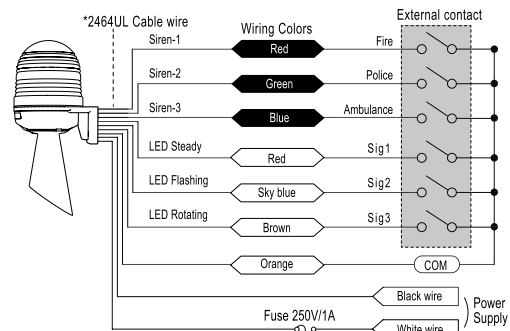
# Wiring Diagram

## MW86T

12 ~ 24V

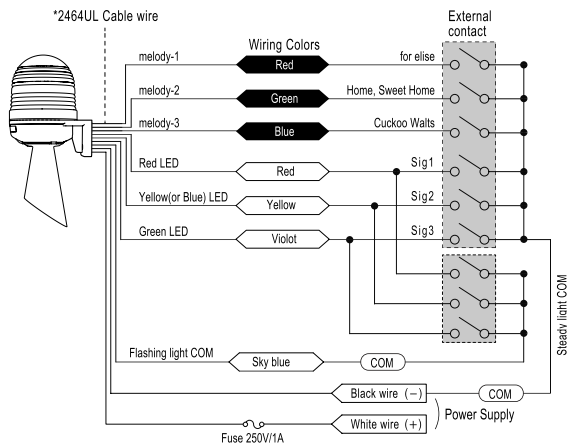


## 90 ~ 240V



## MW86M

12 ~ 24V



## 90 ~ 240V

