



# MS135T Series

Ø135mm LED Warning Light

- Excellent visibility outdoor and long distance
- Multi-function with various sound options
- Adjustable rotating speed & sound volume
- IP65 rated



## Specifications

Lighting type	Flashing(emergency signal flash pattern), rotating, Buzzer						
Power Supply	12-24V DC			100-240V AC			
Current Consumption	Color	Standard	Buzzer	Melody / Siren	Standard	Buzzer	Melody / Siren
	Red	0.75A	0.78A	0.90A	0.10A	0.13A	0.14A
	Yellow	0.75A	0.78A	0.90A	0.10A	0.13A	0.14A
	Green	0.72A	0.75A	0.90A	0.08A	0.10A	0.14A
	Blue	0.72A	0.75A	0.90A	0.08A	0.10A	0.14A
Clear	0.75A	0.78A	0.90A	0.10A	0.12A	0.14A	
Flash Rate	240±5 time/min						
Rotation Rate	60 ~ 300±10 rpm (Clockwise)						
volume	Buzzer volume (Built-in volume control)			Sound volume (built-in volume)			
	intermittent sound (Beep-Beep-Beep) : 75~100±5dB (1M)			55~80±5dB (1M) (Melody: for Elise, Home sweet home Cuckoo waltz) (Siren: Fire, Police, Ambulance)			
Vibration	10 ~ 55Hz (1 min.cycle) Double amplitude 0.75mm X, Y, Z						
Ambient Temperature	-15 ~ 50°C						
Storage Temperature	-20 ~ 70°C						
Ambient Humidity	45~85% RH						
Degree of Protection	IP65						
Mounting Option	Stud/Pole/Wall mounting						
Connection method	Exposed wiring connections						
Recommended Wire Size	UL2464/22AWG						
Weight	app.555g						
Certificate/Compliance	RoHS						

## Ordering Information

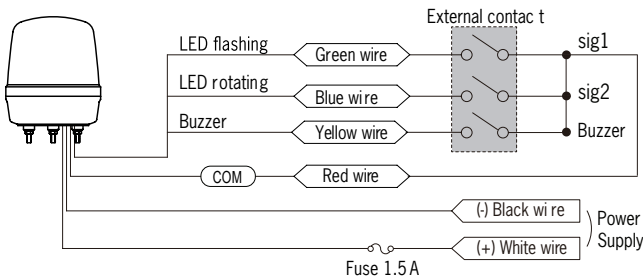
MS135T - B 00 - R  
 ①      ②      ③

① Light Style	<b>R</b>	Flashing + Rotating
	<b>B</b>	Flashing + Rotating + Buzzer
	<b>M*</b>	Flashing + Rotating + Melody
	<b>S*</b>	Flashing + Rotating + Siren
② Power	<b>00</b>	12 - 24V DC
	<b>FF</b>	100 - 240V AC
③ Lens Colors	<b>R</b>	Red
	<b>Y</b>	Yellow
	<b>G</b>	Green
	<b>B</b>	Blue
	<b>C</b>	Clear

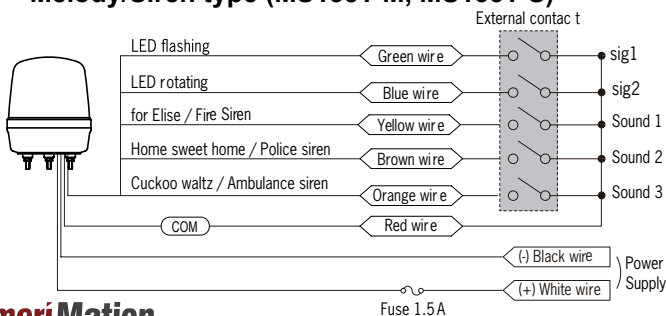
\* Pole mounting option is not applicable for M or S type

## Wiring Diagram

### Standard buzzer type (MS135T-R, MS135T-B)

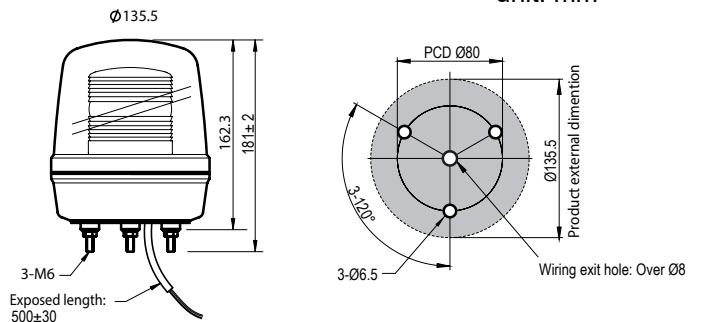


### Melody/Siren type (MS135T-M, MS135T-S)



## Dimensions

unit: mm



## Feature Setting

