



# MQV Series

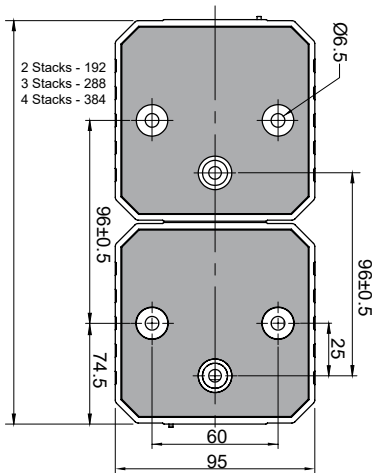
D95mm Cube Signal Lights and Alarms

MQVL series  
MQVM series  
MQVX series

MQVH series  
MQVS series

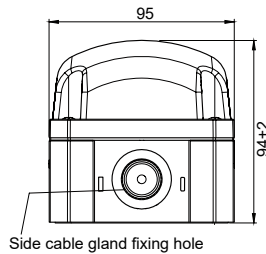
## Combination of MQV Series

unit: mm



## Combination with signal lights

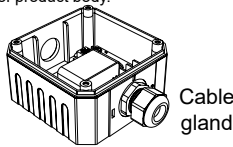
Speaker products and signal lights can be used in the form of traffic lights by connecting two or more products.



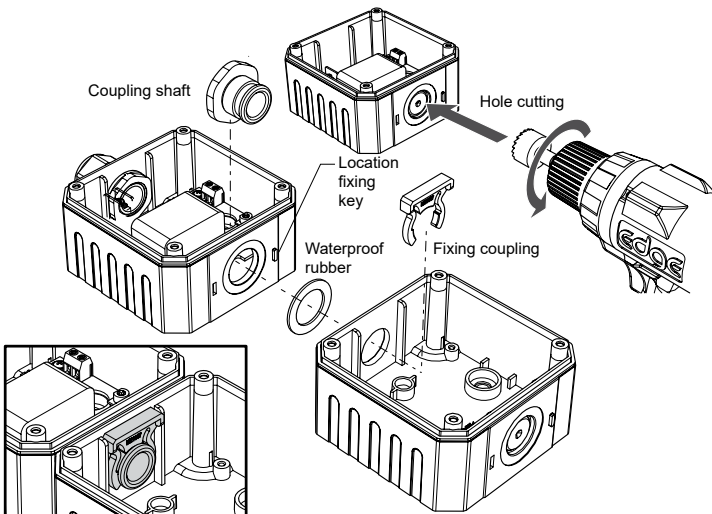
## Mounting hole dimension by cable gland standard

Cable gland	Mounting hole	Cable Outer dia
M16X1.5	Ø16	Ø4.5~10
M20X1.5	Ø20	Ø7~12.5
PG9	Ø16	Ø3~8
PG13.5	Ø20	Ø5~12

Before inserting the cable gland accessory, cutting work is required using drill and hole cutter on the side of product body.



## Body connection coupling assembly



# MQVM Series

D95mm Cube Multi-color LED Signal Light



## Ordering Information

MQVM - ① - ② - ③ (V) LED ROHS IP65

① Power Supply	00	12~24VDC
	FF	110~220VAC
② LED Color	RGB	Red & Green & Blue
	RYG	Red & Yellow & Green
③ Option	V	240 ±10 times/minute (Emergency signal)

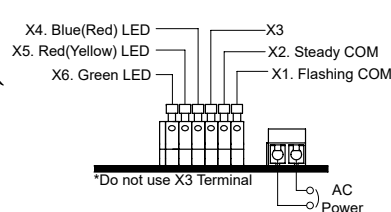
## Specifications

Power supply	12 ~ 24VDC, 110 ~ 220VAC (50/60Hz)
Allowable voltage range	10.8V ~ 26.4VDC, 100 ~ 240VAC
Current consumption (±10%)	12~24VDC : 0.28A 110~220VAC : 0.07A
Function	Steady, Flashing
Dimension	95 x 95 x 94 (mm)
Flashing rate	Standard - 80±5 per minute Option (V) type - 240±10 times per minute
Mounting method	Body bottom mount base - Screw type (M6, 2EA)
Power cable insertion	Internal bottom of main body - Maximum cable diameter : Ø7mm External locations - Cable gland
Connection	UL1007/AWG22
Color	Milky white
Material	Body - PA6 Lens - PC
Insulation resistance	Over 100MΩ (500VDC mega between terminals and case )
Withstand voltage	500VAC 50/60Hz 1 min (between terminals and case before )
Vibration	0.75mm at 10~55Hz (cycle: 1minute)
Temperature	Ambient temperature : -20 ~ 50°C Storage ambient temperature: -20 ~ 70°C
Ambient humidity	45 ~ 85% RH
Protection structure	IP65
Weight	App. 300g (AC type standard)

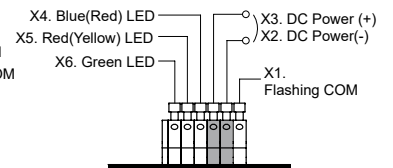
\* Life of the LED varies according to operating conditions and environment

## Connection Diagram

### AC type (110~220VAC)

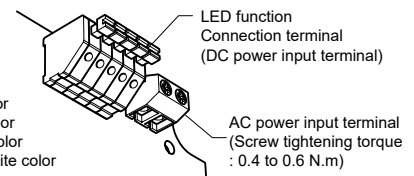


### DC type (12~24VDC)



## RGB Product Color Combination

- X2 + X4: Blue color
- X2 + X5: Red color
- X2 + X6: Green color
- X2 + X4 + X5: Pink color
- X2 + X4 + X6: Cyan color
- X2 + X5 + X6: Yellow color
- X2 + X4 + X5 + X6: White color





## MQVL Series

D95mm Cube LED Signal Light

### Ordering Information



MQVL - FF - R (V)

①                      ②                      ③

① Power Supply	00	12~24VDC		
	FF	110~220VAC		
② Lens Color	R	Red	G	Green
	Y	Yellow	B	Blue
	C	Clear		
③ Option	V	240 ±10 times/minute (Emergency signal)		

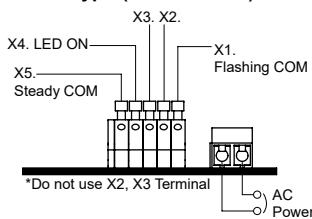
### Specifications

Power supply	12 ~ 24VDC, 110 ~ 220VAC (50/60Hz)
Allowable voltage range	10.8V ~ 26.4VDC, 100 ~ 240VAC
Function	Steady, Flashing
Dimension	95 x 95 x 94 (mm)
Flashing rate	Standard - 80±5 per minute Option (V) type - 240±10 times per minute
Mounting method	Body bottom mount base - Screw type (M6, 2EA)
Power cable insertion	Internal bottom of main body - Maximum cable diameter : Ø7mm External locations - Cable gland
Connection	UL1007/AWG22
Color	Red, Yellow, Green, Blue, Clear
Material	Body - PA6 Lens - PC
Insulation resistance	Over 100MΩ (500VDC mega between terminals and case )
Withstand voltage	500VAC 50/60Hz 1 min (between terminals and case before )
Vibration	0.75mm at 10~55Hz (cycle: 1minute)
Temperature	Ambient temperature : -20 ~ 50°C Storage ambient temperature: -20 ~ 70°C
Ambient humidity	45 ~ 85% RH
Protection structure	IP65
Weight	App. 300g (AC type standard)

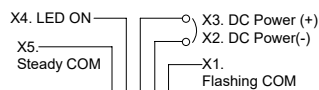
\* Life of the LED varies according to operating conditions and environment

### Connection Diagram

#### AC type (110~220VAC)



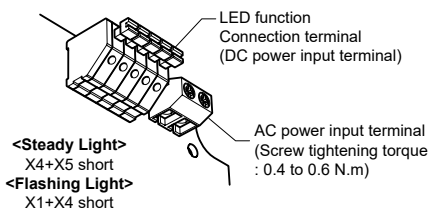
#### DC type (12~24VDC)



#### Current consumption

LED color	MQVL Series	
	12~24VDC	110~220VAC
Red	0.21A	0.06A
Yellow	0.21A	0.06A
Green	0.21A	0.06A
Blue	0.28A	0.19A
White	0.21A	0.06A

(RMS value current consumption when LED is on ± 10%)



## MQVX Series

D95mm Cube Strobe Light

### Ordering Information



MQVX - 00 - R

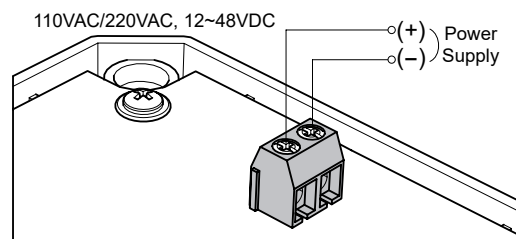
①                      ②

① Power Supply	00	12~48VDC		
	10	110VAC		
	20	220VAC		
② Lens Color	R	Red	G	Green
	Y	Yellow	B	Blue
	C	Clear		

### Specifications

Power supply	12 ~ 24VDC, 110 ~ 220VAC (50/60Hz)
Allowable voltage range	10.8V ~ 50VDC, 100~120VAC, 210~230VAC
Current consumption	12~28VDC : 0.2A 110VAC : 0.07A 220VAC : 0.04A
Function	Flashing
Dimension	95 x 95 x 94 (mm)
Flashing rate	12~18VDC : 80±5 times per min ute 110VAC : 77±5 times per minute 220VAC : 60±5 times per minute
Mounting method	Body bottom mount base - Screw type (M6, 2EA)
Power cable insertion	Internal bottom of main body - Maximum cable diameter : Ø7mm External locations - Cable gland
Connection	UL1007/18AWG
Color	Red, Yellow, Green, Blue, Clear
Material	Body - PA6 Lens - PC
Insulation resistance	Over 100MΩ (500VDC mega between terminals and case )
Withstand voltage	500VAC 50/60Hz 1 min (between terminals and case before )
Vibration	0.75mm at 10~55Hz (cycle: 1minute)
Temperature	Ambient temperature : -20 ~ 50°C Storage ambient temperature: -20 ~ 70°C
Ambient humidity	45 ~ 85% RH
Protection structure	IP65
Weight	App. 283g (DC type)

### Connection Diagram





# MQV S/H Series

95mm Cube Multi-Tone Sounder

- Built-in 5W or 15W speaker
- Volume adjustable up to 85dB or 105dB
- 9 to 15 tones for a diverse range of applications
- IP 55 to 65



MQVS + MQVL

MQVH + MQVL

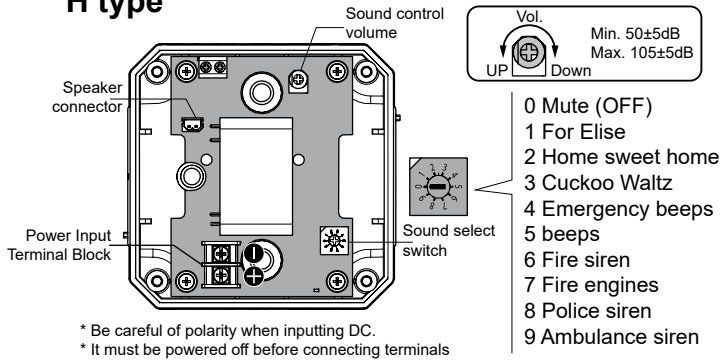
## Ordering Information

MQV H-9 FF - R  
 ① ② ③

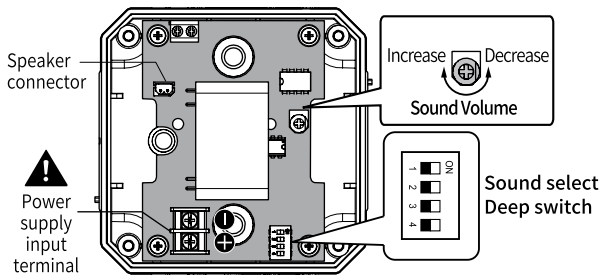
① Type	<b>S-15</b>	Speaker 15ch Sound type
	<b>H-9</b>	Horn speaker 9ch Sound type
② Power Supply	<b>00</b>	12 ~ 24VDC
	<b>FF</b>	110~220VAC
③ Cover Color	<b>R</b>	Red
	<b>B</b>	Black

## Connection Diagram

### H type



### S type



## Sound Selection Guide for S Type

No.	Deep switch	Volume	1 = ON 0 = OFF				No.	Deep switch	Volume	1 = ON 0 = OFF			
			Ch1	Ch2	Ch3	Ch4				Ch1	Ch2	Ch3	Ch4
0						8		Homesweet home	1	1	1	0	
1		Ringtone tinkle-tinkle	0	0	0	9		Symphony-Chorus	1	0	0	1	
2		Ringtone toot-toot	1	0	0	10		Rabbit	1	0	0	1	
3		Sonic Sound	0	1	0	11		Beautiful scenery	0	1	0	1	
4		Spinning wheel	1	1	0	12		Turkey in the straw	0	0	1	1	
5		Haydn serenade	0	0	1	13		Clementine	1	0	1	1	
6		Orpheus in hell	1	0	1	14		The bear went over the mountain	0	1	1	1	
7		Melody	0	1	1	15		Spring song	1	1	1	1	

## Specifications

Power supply	12 ~ 24VDC, 110 ~ 220VAC (50/60Hz)	
Allowable voltage range	10.8V ~ 26.4VDC, 100 ~ 240VAC	
Current consumption (±10%)	S type	H type
	12~24VDC : 0.08.A 110~220VAC : 0.03A	12V~24VDC: 0.45A 110~220VAC: 0.20A
Volume control	Internal volume control	Internal volume control
Sound volume (max)	85±5dB (1M)	105±5dB (1M)
Sound type	Phone Bell: 3ch Melody: 12ch	Melody : 3ch Signal : 3ch Siren : 3ch
Weight	App. 380g (AC type)	App. 535g (AC type)
Protection structure	IP55	IP65
Power cable insertion	Bottom of main body - Maximum cable diameter: Ø7mm Two external locations - Cable gland(PG9-PG13.5)	
Connection	AC : 18 AWG DC : 22 AWG	
Color	Body - Black	Speaker cover - Black or Red
Material	Body - PA6	Speaker Cover - ABS
Insulation resistance	Over 100MQ (500VDC mega between terminals and case)	
Withstand voltage	500VAC 50/60Hz 1 min(between terminls and case before)	
Vibration	0.75mm at 10~55Hz (cycle: 1minute)	
Temperature	Working temperature : -20 ~ 50°C Storage temperature: -20 ~ 70°C	
Operating humidity	45 ~ 85% RH	
Dimensions	95 x 95 x 94 mm	95 x 95 x 111.2 mm