



# MH115 Series

115mm LED Stack Lights  
with Audiable Alarm

- Excellent visibility from all directions
- High-bright LED and internal reflectors
- Smooth outer lens for easy maintenance
- Built-in buzzer or horn speaker with 9 types of sounds
- Built-in volume control



## Specifications

Operation/Function	Steady/ Flashing
Power Supply	24VDC, 100~240VAC 50/60 Hz
Allowable Voltage Range	21.6 ~ 26.4VDC, 100 ~ 240VAC
Withstand Voltage	24VDC - 500VAC 50/60Hz 1 Minute 100VAC - 1000VAC 50/60Hz 1 Minute 220VAC - 1500VAC 50/60Hz 1 Minute
Classification	MH115S/K : 15W Horn Speaker / MH115B : Buzzer
Volume(Built-in controller)	Horn Speaker: Max. 110±10dB / Buzzer: Max. 95±5dB
Built-in Sound	Speacker: 9 Tones (3 melodies, 6 beeps) Buzzer: Intermittent sound
Lens Color	Red, Yellow, Green, Blue & Clear(White LED)
Lens Diameter	115 mm (4.53 inch)
Material	Lens:PC, Body: ABS, Reflector:Heat-resistant ABS (Nickel Chrome Plating)
Flash Rate	75±5 times/ minute
Vibration	30Hz(1minute cycle) 1 Hours double amplitude 0.5mm in X,Y,Z respective direction
Ambient Temperature	-15°C~40°C
Storage Temperature	-20°C ~ 70°C
Ambient Humidity	45~85% RH
Degree of Protection	IP35
Mounting Method	Vertical direction only (Indoor and outdoor)
Approvals	RoHS, CE
Recommended Wire Size	UL1007, 22AWG, Exposure length - about 700±100mm

## Ordering Information

MH115 S - F 3 02 - RYG  
 ① ② ③ ④ ⑤

① Sound/Buzzer Type	<b>B</b>	Built-in Buzzer (External wiring contact)
	<b>S</b>	Built-in Horn Speaker (Internal switch contact)*
	<b>K</b>	Built-in Horn Speaker (External wiring contact)**
② Light Style	<b>L</b>	Steady Light
	<b>F</b>	Steady & Flashing Light
③ Number of Stacks	<b>1</b>	1 Light
	<b>2</b>	2 Lights
	<b>3</b>	3 Lights
	<b>4</b>	4 Lights
	<b>5</b>	5 Lights
④ Power Supply	<b>02</b>	24VDC
	<b>FF</b>	100~240VAC
⑤ Lens Colors (top to bottom)	<b>R</b>	Red
	<b>Y</b>	Yellow
	<b>G</b>	Green
	<b>B</b>	Blue
	<b>W</b>	White

\* Only 1 sound can be selected

\*\* Different sounds can be selected for each LED color

## Product Weight

Stacks	MH115S		MH115K		MH115B	
	24VDC	AC	24VDC	AC	24VDC	AC
1	855g	897g	878g	920g	617g	648g
2	997g	1.0kg	1.0kg	1.0kg	762g	794g
3	1.2kg	1.2kg	1.2kg	1.2kg	913g	945g
4	1.3kg	1.4kg	1.3kg	1.4kg	1.1kg	1.1kg
5	1.5kg	1.5kg	1.5kg	1.5kg	1.2kg	1.3kg

## Current Consumption

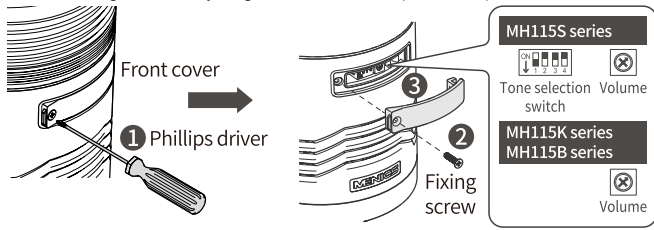
Stacks	LED Color	MH115S/K*		MH115B**	
		24VDC	AC	24VDC	AC
1	R/Y/G/B/W	0.50A	0.17A	0.08A	0.05A
2	RG/RB	0.54A	0.18A	0.13A	0.07A
3	RYG/RBG	0.60A	0.20A	0.19A	0.10A
4	RYGB	0.65A	0.22A	0.25A	0.11A
5	RYGBW	0.70A	0.25A	0.29A	0.12A

\*When LED+Speaker is in operation

\*\*When LED+Buzzer is in operation

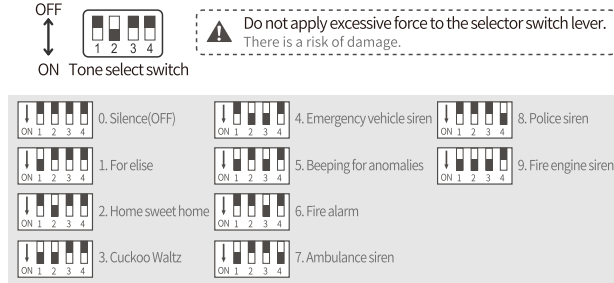
## Tone Selection And Volume Control

✓ When selecting a tone and adjusting the volume, use a Phillips driver to open and close the front cover.



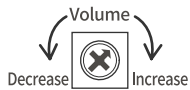
## Tone Selection Switch (MH115S)

✓ When selecting a tone, use a small flat screwdriver (tweezers) to operate the selection switch.  
 ✓ Sound works only when the selector switch lever is pushed down.



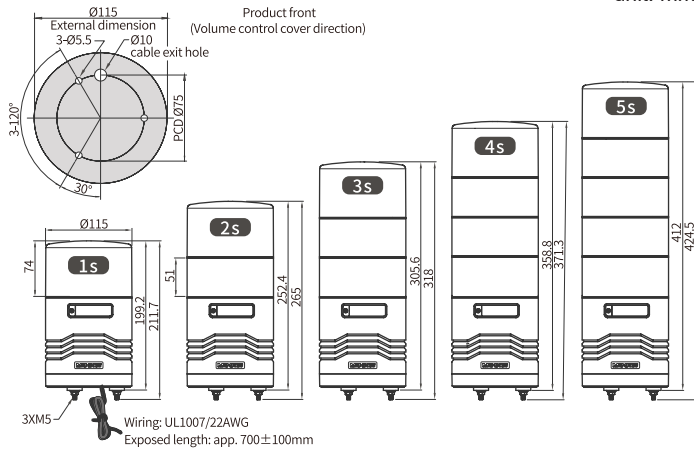
## Sound Volume Control

✓ When adjusting the volume, turn the volume lightly using a small flat screwdriver.



## Dimensions

unit: mm



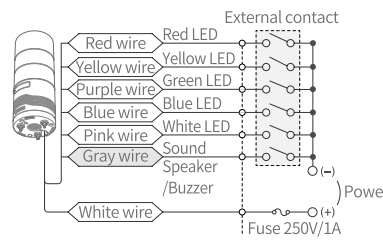
## MH115K Sound Setting

Connect with COM wire (Black wire)

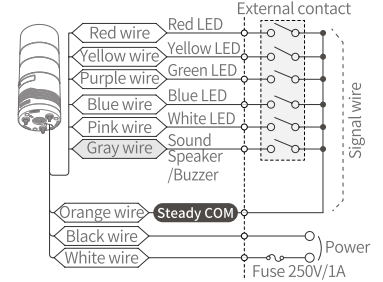
1. Black+White wire	For Elise
2. Black+Red wire	Home sweet home
3. Black+Blue wire	Fire alarm
4. Black+Green wire	Police siren
5. Black+White+Red wire	Cuckoo waltz
6. Black+Red+Blue wire	Emergency vehicle siren
7. Black+White+Blue wire	Beeping for anomalies
8. Black+White+Green wire	Ambulance siren
9. Black+White+Red+Blue wire	Fire engine siren

## Wiring Diagram for MH115S, MH115B

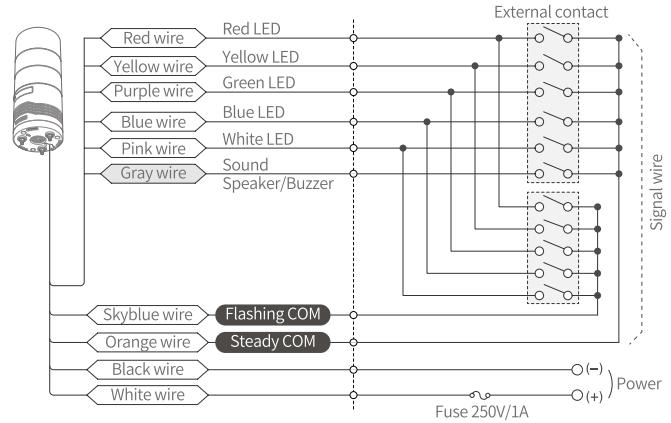
### 24VDC Steady Lights



### 100~240VAC Steady Lights

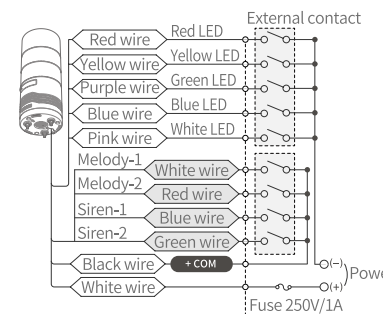


### 24VDC/ 100~240VAC Steady/Flashing Lights

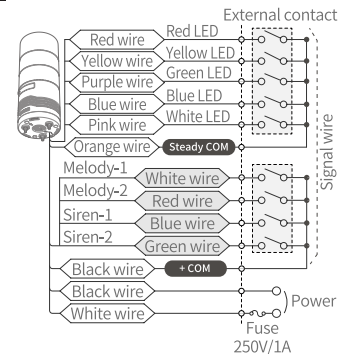


## Wiring Diagram for MH115K

### 24VDC Steady Lights



### 100~240VAC Steady Lights



### 24VDC / 100~240VAC Steady/Flashing Lights

