

KAF-HD3 Series

Heavy Duty Foot Switches

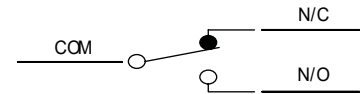
- Cost-effective industrial heavy duty
- Aluminum die-casting cover
- Power coated outer surface



Specifications

Part number	KAF-HD3T	KAF-HD3T2	KAF-HD3T3
Contact Form	1NO+1NC	2NO+2NC	3NO+3NC
Pedal	1 Pedal	2 Pedal	3 Pedal
Rated Current	15A 250VAC		
Built-in Switch	Z type Micro Switch (CE, UL, cUL certified)		
Body Material	Aluminum Die-casting		
Wire Inlet and Outlet Holes	1/2 Inch Tap, the flexible cable can be attached (zinc connector 10 ~ 16)		
Degree of Protection	IP65		
Certification	CE, UL, CCC, KC (Built-in Switch)		
Shock Test	IK10 cUL		

Contact Diagram

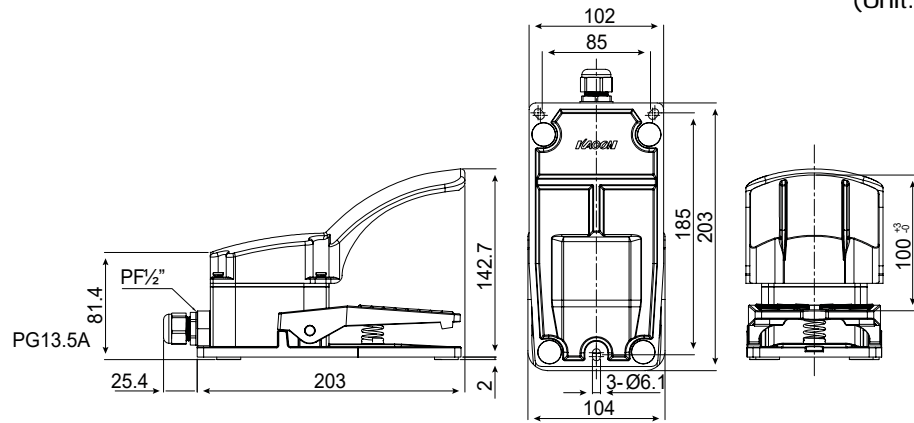


Dimensions

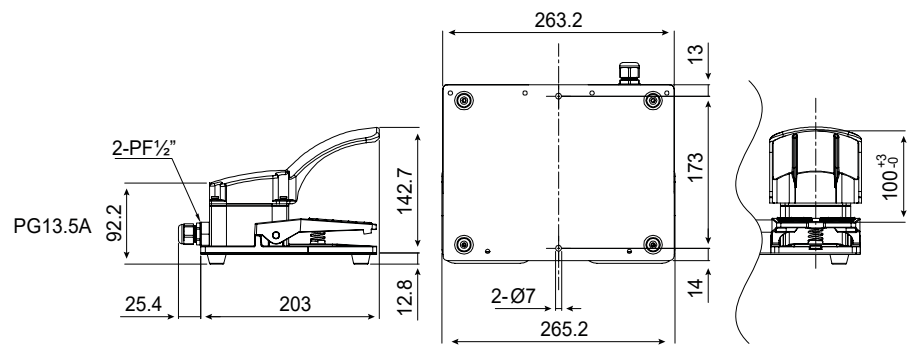
(Unit: mm)



KAF-HD3T
203 X 104 X 142.7



KAF-HD3T2
203 X 265.2 X 142.7



KAF-HD3T3
203 X 426.4 X 142.7

