



# B-Series

Screw Bolt Type  
Plastic Enclosures

- Lift off screw cover
- Corner mounting flanges for easy installation
- Meets IP66/67, NEMA 4X/6 specifications



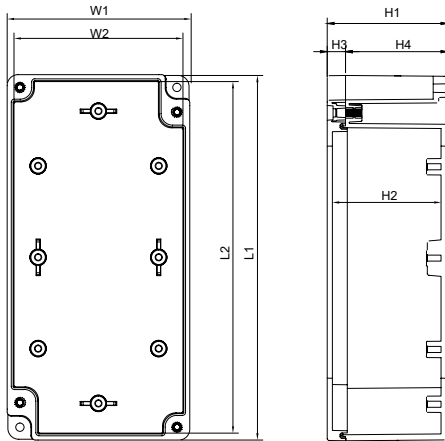
## Specifications

Protection Level	Dust/Water proof: IP67
	Impact test: IK07/08
Certification	CE, TUV, RoHS
Temperature range	-40°C to 70°C (-40°F to 158°F)
Flammability Rating	UL94-HB

## Part Numbers and Size

Outside size		Models		Back Panels
Size (W1xL1xH1)		ABS		
mm	inch	Gray cover	Transparent cover	-
52x90x45	1.97x3.54x1.77	BC-AGB-050904	BC-ATB-050904	
65x90x45	2.56x3.54x1.77	BC-AGB-060904	BC-ATB-060904	
90x100x45	3.54x3.94x1.77	BC-AGB-091004	BC-ATB-091004	
100x200x65	3.94x7.87x2.56	BC-AGB-102006	BC-ATB-102006	
150x160x65	5.91x6.30x2.56	BC-AGB-151606	BC-ATB-151606	

## Dimensions



Enclosure Sizes						Back Panel (M1xM2)
Outside Dimensions			Inside Dimensions			
Size (W1xL1xH1)		Cover (H3)	Base (H4)	Size (W2xL2xH2)		mm
mm	inch	mm	mm	mm	inch	
52x90x45	1.97x3.54x1.77	8	37	45x80x40	1.77x3.15x1.57	-
65x90x45	2.56x3.54x1.77	8	37	58x80x40	2.83x3.15x1.57	
90x100x45	3.54x3.94x1.77	8	37	83x93x40	3.27x3.66x1.57	
100x200x65	3.94x7.87x2.56	10	55	92x192x60	3.62x7.56x2.36	
150x160x65	5.91x6.30x2.56	10	55	142x152x60	5.59x5.98x2.36	

