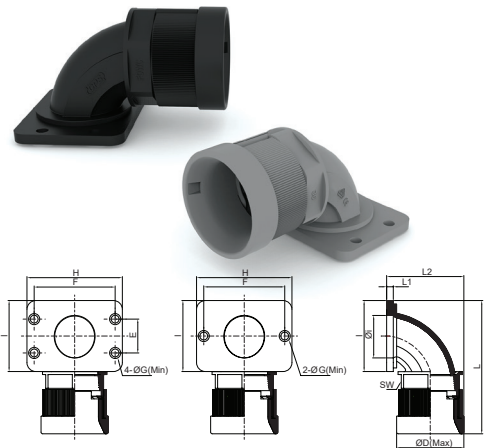


PWOC

Flange Type 90° Connector



Specifications

Material	High Quality Polyamide 6	Degrees of Protection	IP 67 (EN 60529)
The max. Instantaneous Temperature	-40 °C to +105°C	Short Term	up to +150° C
Self-Extinguishing	UL94-HB / Free of Halogen Phosphorous and cadmium	Color	Black & Gray
Application	Machine tool, Shipbuilding, Tramway, Industrial / Automatic Machinery, Printing Machine etc. Control box with connector.		

Ordering No.		Tube Size	E	F	G	H	I	L1	L2	L	Øi	ØD	SW
Black	Gray												
PWOC-12B	PWOC-12G	12	-	36.5	5.5	45.0	32.0	5.2	42.5	68.1	15.0	27.6	22.8
PWOC-16B	PWOC-16G	16	-	36.5	5.5	44.0	32.0	5.2	47.2	72.1	17.5	33.0	28.0
PWOC-22B	PWOC-22G	22	30.5	53.5	5.5	65.0	45.0	5.2	55.8	90.0	22.0	43.0	37.5
PWOC-28B	PWOC-28G	28	31.0	55.0	6.0	65.0	45.0	6.0	66.2	104.5	30.5	48.8	43.0
PWOC-36B	PWOC-36G	36	30.5	72.6	7.0	86.0	64.0	6.0	84.5	134.4	34.0	60.6	52.2
PWOC-48B	PWOC-48G	48	30.5	73.0	7.0	86.0	78.0	6.0	95.6	150.8	50.0	71.8	64.0

TIS

Straight Fittings



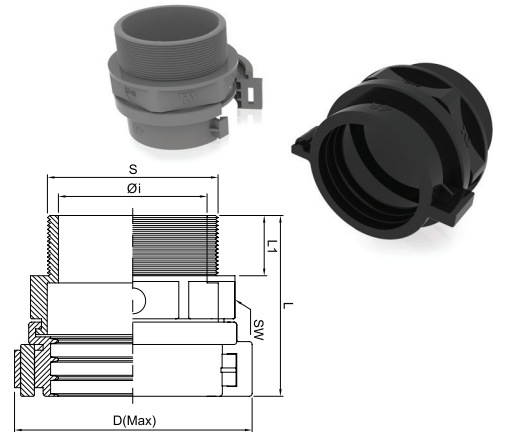
Specifications

Material	High Quality Polyamide 6	Degrees of Protection	IP 67 (EN 60529)
The max. Instantaneous Temperature	-40 °C to +105°C	Short Term	up to +150° C
Self-Extinguishing	UL94-HB / Free of Halogen Phosphorous and cadmium	Color	Transparency
Application	Machine tool, Shipbuilding, Tramway, Industrial / Automatic Machinery, Printing Machine etc. Sencer with connector.		

	Ordering No.		Tube Size	S	L 1	L	Øi	ØO	ØD	SW1	SW2
	Black	Gray									
Metric Thread (EN 60423)	TIS-M08T	M8 X 1.0	10	7.7	12.8	61.5	5.0	17.5	23.0	20.0	16.0
	TIS-M12T	M12 X 1.0	10	11.6	12.8	61.5	9.0	20.0	23.0	20.0	18.3
	TIS-M18T	M18 X 1.0	10	17.7	12.8	61.5	9.0	24.0	23.0	20.0	22.0
	TIS-M30T	M30 X 1.5	10	28.5	12.8	61.5	9.0	38.0	23.0	20.0	34.0

TNRC

Straight Fittings



Specifications

Material	High Quality Polyamide 6	Degrees of Protection	IP 66 (EN 60529)
The max. Instantaneous Temperature	-40 °C to +105°C	Short Term	up to +150° C
Self-Extinguishing	UL94-HB / Free of Halogen Phosphorous and cadmium	Color	Black & Gray
Application	Machine tool, Shipbuilding, Tramway, Industrial / Automatic Machinery, Printing Machine etc. Applied in control box or moving point.		

	Ordering No.		Thread	Tube Size	S	L 1	L	Øi	ØD	SW
	Black	Gray								
PF Thread (JIS B0202)	TNRC-G22B	TNRC-G22G	G3/4"	22	26.4	15.0	50.8	19.4	50.6	37.5
	TNRC-G28B	TNRC-G28G	G1"	28	33.2	15.0	47.4	26.2	57.7	43.0
	TNRC-G36B	TNRC-G36G	G1 1/4"	36	41.6	19.0	60.0	35.0	70.0	52.2
	TNRC-G48B	TNRC-G48G	G2"	48	58.7	21.0	63.3	51.0	85.0	64.1