

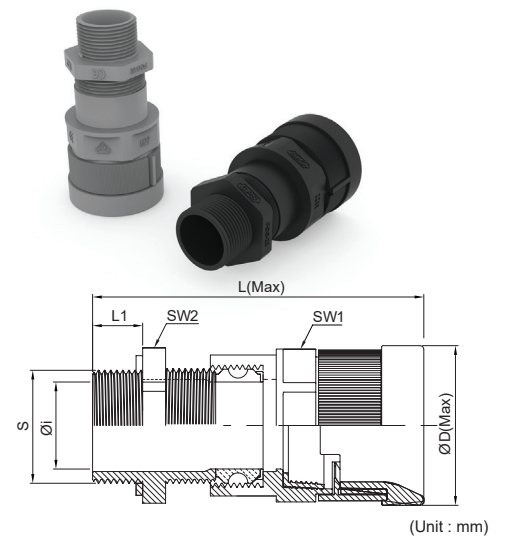
PNCC

Straight Fittings



Specifications

Material	High Quality Polyamide 6	Degrees of Protection	IP 68 (EN 60529)
The max. Instantaneous Temperature	-40 °C to +105°C	Short Term	up to +150° C
Self-Extinguishing	UL94-HB / Free of Halogen Phosphorous and cadmium	Color	Black & Gray
Application	Machine tool, Shipbuilding, Tramway, Industrial / Automatic Machinery, Printing Machine etc. Joint box with connector, Connector to avoid the cutoff of the cable in the machine.		



(Unit : mm)

	Ordering No.		Thread	Tube Size	Øi (Min)	Øi (Max)	S	L1	L	ØD	SW1	SW2
	Black	Gray										
PF Thread (JIS B0202)	PNCC-G10B	PNCC-G10G	G1/2"	10	3.5	6.5	20.9	15.0	72.3	25.0	19.7	22.6
	PNCC-G12B	PNCC-G12G	G1/2"	12	4.0	8.0	20.9	15.0	72.4	27.6	22.8	25.5
	PNCC-G16B	PNCC-G16G	G1/2"	16	7.0	12.3	20.9	15.0	75.1	33.0	28.0	25.4
	PNCC-G1622B	PNCC-G1622G	G1/2"	22	12.0	15.2	20.9	15.0	87.4	43.0	37.5	34.0
	PNCC-G22B	PNCC-G22G	G3/4"	22	12.0	18.0	26.4	15.0	87.4	43.0	37.5	34.0
	PNCC-G228B	PNCC-G228G	G3/4"	28	18.0	20.3	26.4	15.0	87.4	43.0	43.0	43.4
	PNCC-G28B	PNCC-G28G	G1"	28	18.0	26.0	33.2	15.0	95.2	48.8	43.0	43.4
	PNCC-G36B	PNCC-G36G	G1 1/4"	36	22.0	33.0	41.9	19.0	120.2	60.6	52.2	51.6
	PNCC-G48B	PNCC-G48G	G2"	48	36.0	42.0	60.0	19.0	130.0	71.8	64.0	67.0
Metric Thread (EN 60423)	PNCC-M10B	PNCC-M10G	M12 X 1.5	10	3.5	6.5	12.0	15.0	72.3	25.0	19.7	22.6
	PNCC-M120B	PNCC-M120G	M16 X 1.5	10	3.5	6.5	16.0	15.0	72.3	25.0	19.7	22.6
	PNCC-M102B	PNCC-M102G	M12 X 1.5	12	4.0	7.1	12.0	15.0	72.4	27.6	22.8	25.5
	PNCC-M12B	PNCC-M12G	M16 X 1.5	12	4.0	8.0	16.0	15.0	72.4	27.6	22.8	25.5
	PNCC-M162B	PNCC-M162G	M20 X 1.5	12	4.0	8.0	20.0	15.0	72.4	27.6	22.8	25.5
	PNCC-M126B	PNCC-M126G	M16 X 1.5	16	7.0	10.9	16.0	15.0	75.1	33.0	28.0	25.4
	PNCC-M16B	PNCC-M16G	M20 X 1.5	16	7.0	12.3	20.0	15.0	75.1	33.0	28.0	25.4
	PNCC-M1622B	PNCC-M1622G	M20 X 1.5	22	12.0	14.5	20.0	15.0	87.4	43.0	37.5	34.0
	PNCC-M22B	PNCC-M22G	M25 X 1.5	22	12.0	18.0	25.0	15.0	87.5	43.0	37.5	34.0
	PNCC-M228B	PNCC-M228G	M25 X 1.5	28	18.0	19.5	25.0	15.0	95.3	48.8	43.0	43.4
	PNCC-M28B	PNCC-M28G	M32 X 1.5	28	18.0	26.0	32.0	15.0	95.3	48.8	43.0	43.4
	PNCC-M36B	PNCC-M36G	M40 X 1.5	36	22.0	33.0	40.0	19.0	120.2	60.6	52.2	51.6
	PNCC-M48B	PNCC-M48G	M50 X 1.5	48	36.0	42.0	50.0	19.0	122.8	71.8	64.0	67.0
Pg Thread (DIN 40430)	PNCC-P07B	PNCC-P07G	Pg07	10	3.5	6.5	12.5	15.0	72.3	25.0	19.7	22.6
	PNCC-P09B	PNCC-P09G	Pg09	10	3.5	6.5	15.2	15.0	72.3	25.0	19.7	22.6
	PNCC-P072B	PNCC-P072G	Pg07	12	4.0	8.0	20.9	15.0	72.4	27.6	22.8	25.5
	PNCC-P092B	PNCC-P092G	Pg09	12	4.0	8.0	20.9	15.0	72.4	27.6	22.8	25.5
	PNCC-P11B	PNCC-P11G	Pg11	12	4.0	8.0	20.9	15.0	72.4	27.6	22.8	25.5
	PNCC-P132B	PNCC-P132G	Pg13.5	12	4.0	8.0	20.9	15.0	72.4	27.6	22.8	25.5
	PNCC-P162B	PNCC-P162G	Pg16	12	4.0	8.0	20.9	15.0	72.4	27.6	22.8	25.5
	PNCC-P096B	PNCC-P096G	Pg09	16	7.0	10.6	15.2	15.0	75.1	33.0	28.0	25.4
	PNCC-P116B	PNCC-P116G	Pg11	16	7.0	12.3	18.6	15.0	75.1	33.0	28.0	25.4
	PNCC-P13B	PNCC-P13G	Pg13.5	16	7.0	12.3	20.4	15.0	75.1	33.0	28.0	25.4
	PNCC-P16B	PNCC-P16G	Pg16	16	7.0	12.3	22.5	15.0	75.1	33.0	28.0	25.4
	PNCC-P122B	PNCC-P122G	Pg11	22	12.0	13.9	18.6	15.0	87.5	43.0	37.5	34.0
	PNCC-P1322B	PNCC-P1322G	Pg13.5	22	12.0	14.8	20.4	15.0	87.5	43.0	37.5	34.0
	PNCC-P1622B	PNCC-P1622G	Pg16	22	12.0	17.3	22.5	15.0	87.5	43.0	37.5	34.0
	PNCC-P21B	PNCC-P21G	Pg21	22	12.0	18.0	28.3	15.0	87.5	43.0	37.5	34.0
	PNCC-P218B	PNCC-P218G	Pg21	28	18.0	22.5	28.3	15.0	95.3	48.8	43.0	43.4
	PNCC-P29B	PNCC-P29G	Pg29	28	18.0	26.0	37.0	15.0	95.3	48.8	43.0	43.4
	PNCC-P36B	PNCC-P36G	Pg36	36	22.0	33.0	47.0	19.0	120.2	60.6	52.2	51.6
	PNCC-P48B	PNCC-P48G	Pg48	48	36.0	42.0	59.3	19.0	122.8	71.8	64.0	67.0



TNC

Straight Fittings

Specifications

Material	High Quality Polyamide 6	Degrees of Protection	IP 68 (EN 60529)
The max. Instantaneous Temperature	-40 °C to +105°C	Short Term	up to +150° C
Self-Extinguishing	UL94-HB / Free of Halogen Phosphorous and cadmium	Color	Black & Gray
Application	Machine tool, Shipbuilding, Tramway, Industrial / Automatic Machinery, Printing Machine etc. Joint box with connector.		

(Unit : mm)

	Ordering No.		Thread	Tube Size	S	L1	L	Øi	ØD	SW
	Black	Gray								
PF Thread (JIS B0204)	TNC-G58B	TNC-G56G	G2"	56	59.6	24.0	64.3	49.6	93.0	78.0
	TNC-G70B	TNC-G70G	G2 1/2"	70	75.1	30.0	75.2	67.0	121.0	94.5
	TNC-G95B	TNC-G95G	G4"	95	113.0	40.0	92.2	98.0	151.0	118.5