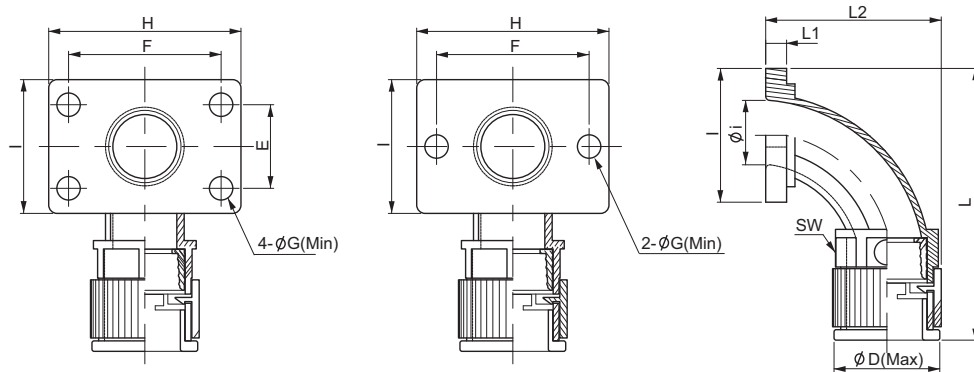


TWOC IP67



- Material: High Quality Polyamide6
- Protective: IP 67 (EN 60529)
- Temperature Range: -40°C to +105°C
- Short Term: up to +150°C
- Self-Extinguishing: UL94-HB
- Color: Free of Halogen Phosphorous and cadmium
Black & Gray
- Application: Machine tool, Shipbuilding, Tramway
Industrial / Automatic Machinery
Printing Machine etc. Control Box with connector

Black
 Gray



(dimensions in mm)

Order No.													
Black	Gray	For tube size	E	F	G	H	I	L1	L2	L	Øi	ØD	SW
TWOC-12B	TWOC-12G	12	-	36.5	5.5	45	32	5	43	61	12	25	22.7
TWOC-16B	TWOC-16G	16	-	36.5	5.5	45	32	5	51	71	13	30	28
TWOC-22B	TWOC-22G	22	30.5	53.5	5.5	66	45	6	58	81	19	41	37.5
TWOC-28B	TWOC-28G	28	30.5	55	6	66	45	6	66	98	26	47	43
TWOC-36B	TWOC-36G	36	30.5	73	7	86	64	6	82	123	32	56	52.2
TWOC-48B	TWOC-48G	48	30.5	73	7	86	78	6	97	147	43	68	64.1