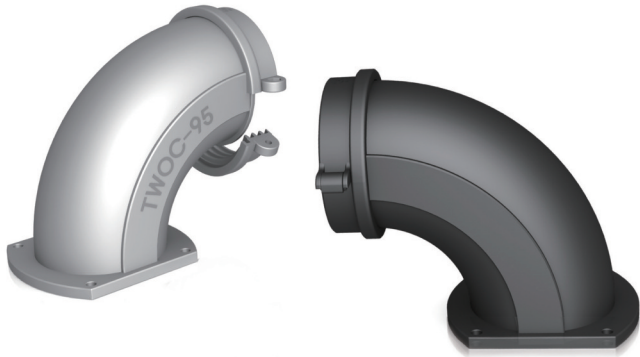
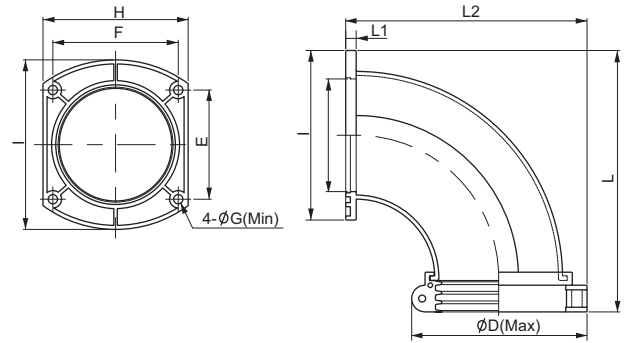




TWOC IP65



- Black
- Gray



- Material: High Quality Polyamide6
- Protective: IP 65 (EN 60529)
- Temperature Range: -40°C to +105°C
- Short Term: up to +150°C
- Self-Extinguishing: UL94-HB
- Free of Halogen Phosphorous and cadmium
- Color: Black & Gray
- Application: Machine tool, Shipbuilding, Tramway
Industrial / Automatic Machinery
Printing Machine etc.Control Box with connector.

(dimensions in mm)

Order No.													
Black	Gray	For tube size	E	F	G	H	I	L ₁	L ₂	L	Ø _i	Ø _D	SW
TWOC-56B	TWOC-56G	56	61	67	7	81	96	6	117.5	139.2	56	93	-
TWOC-70B	TWOC-70G	70	78	84	7	98	113	9	171.5	191.6	70	121	-
TWOC-95B	TWOC-95G	95	94	108	8	125	146	9	195	225	92	151	-

