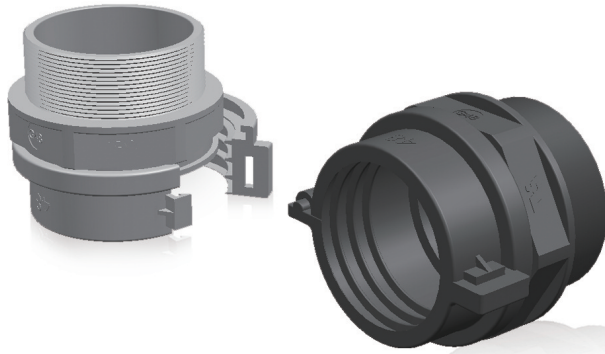
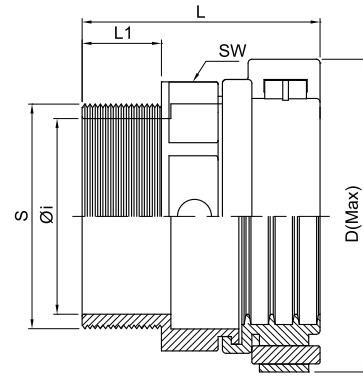




TNRC IP66



- Black
- Gray



G(PF)

- Material: High Quality Polyamide 6
- Protective: IP 66 (EN 60529)
- Temperature Range: -40°C to +105°C
- Short Term: up to +150°C
- Self-Extinguishing: UL94-HB
- Color: Black & Gray
- Application: Machine tool, Shipbuilding, Tramway
Industrial / Automatic Machinery
Printing Machine etc. Applied in control box
or moving point

PF Thread (JIS B0202)

(dimensions in mm)

Order No.									
Black	Gray	Thread	For tube size	S	L1	L	Ø i	ØD	SW
TNRC-G36B	TNRC-G36G	G1 1/4"	36	41.6	19	60	35	70	61.5
TNRC-G48B	TNRC-G48G	G2"	48	58.7	21	63.3	51	85	75

