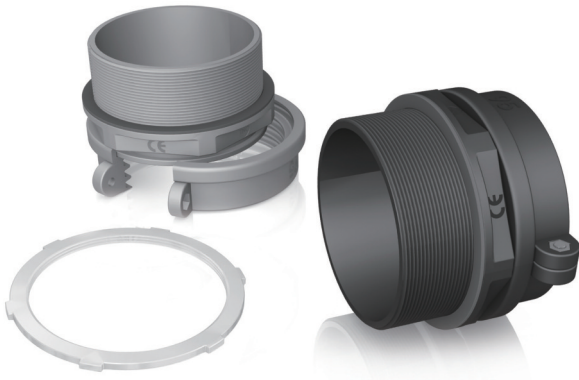
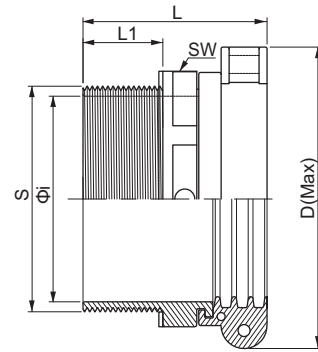


# TNC IP66



Black  
 Gray



G(PF)

- Material: High Quality Polyamide 6
- Protective: IP 66 (EN 60529)
- Temperature Range: -40° C to +105° C
- Short Term: up to +150° C
- Self-Extinguishing: UL94-HB
- Color: Black & Gray
- Application: Machine tool, Shipbuilding, Tramway  
Industrial / Automatic Machinery  
Printing Machine etc. Joint box with connector

## PF Thread (JIS B0202)

(dimensions in mm)

Order No.									
Black	Gray	Thread	For tube size	S	L <sub>1</sub>	L	Ø <sub>i</sub>	Ø <sub>D</sub>	SW
TNC-G56B	TNC-G56G	G2"	56	59.6	24	64.3	49.6	93	78
TNC-G70B	TNC-G70G	G2 1/2"	70	75.1	30	75.2	64	121	94.5
TNC-G95B	TNC-G95G	G4"	95	113	40	92.2	96	151	118.5

