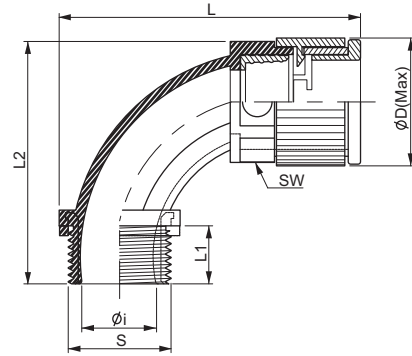




SWC IP67



Black
Gray



● M ● Pg

- Material: High Quality Polyamide6+Brass Nickel plated
- Protective: IP 67 (EN 60529)
- Temperature Range: -40°C to +105°C
- Short Term: up to +150°C
- Self-Extinguishing: UL94-HB
Free of Halogen Phosphorous and cadmium
- Color: Black & Gray
- Application: Tramway Vehicle Construction etc.

Pg Thread (DIN 40430)

(dimensions in mm)

Order No.											
Black	Gray	Thread	Fortube size	S	L ₁	L ₂	L	Ø _i	Ø _D	SW	
SWC-P077B	SWC-P077G	Pg07	07	12.5	11	33	41	6	17	14.2	
SWC-P09B	SWC-P09G	Pg09	10	15.2	13	53	62	8	25	19.8	
SWC-P11B	SWC-P11G	Pg11	12	18.6	13	53	60	9	25	22.7	
SWC-P136B	SWC-P136G	Pg13.5	16	20.4	13	62	66	12	30	28	
SWC-P16B	SWC-P16G	Pg16	16	22.5	13	62	66	12	30	28	
SWC-P21B	SWC-P21G	Pg21	22	28.3	15	71	81	18	41	37.5	
SWC-P29B	SWC-P29G	Pg29	28	37	15	77	96	25	47	43	
SWC-P36B	SWC-P36G	Pg36	36	47	19	97	119	31	56	52.2	
SWC-P48B	SWC-P48G	Pg48	48	59.3	19	112	141	42	68	64.1	

Metric Thread (EN 60423)

SWC-M107B	SWC-M107G	M12 X 1.5	07	12	11	33	41	6	17	14.2
SWC-M10B	SWC-M10G	M12 X 1.5	10	12	13	53	62	6	25	19.8
SWC-M12B	SWC-M12G	M16 X 1.5	12	16	13	53	60	9	25	22.7
SWC-M16B	SWC-M16G	M20 X 1.5	16	20	13	62	66	12	30	28
SWC-M22B	SWC-M22G	M25 X 1.5	22	25	15	71	81	16	41	37.5
SWC-M28B	SWC-M28G	M32 X 1.5	28	32	15	77	96	23	47	43
SWC-M36B	SWC-M36G	M40 X 1.5	36	40	19	97	119	31	56	52.2
SWC-M48B	SWC-M48G	M50 X 1.5	48	50	19	112	141	41	68	64.1