



Miniature Circuit Breakers

BK63HU / BK63H



LSIS

Miniature Circuit Breakers

BK63HU UL489 MCB

- Pole : 1P, 2P, 3P
- Rated current : 1~63A
- Curve : B, C, D, K
- Rated short current : 10kA
- Accessory : AX, AL, SHT, UVT



BK63HU 1P



BK63HU 2P



BK63HU 3P

Ratings

Performance	UL489 MCB	
Standard	UL489, UL486E(Lug)	
Protection	Overload, Short circuit	
Rated current	1, 2, 3, 4, 5, 6, 8, 10, 15, 16, 20, 25, 30, 32, 40, 50, 63A	
Number of poles	1P, 2P, 3P	
Rated short circuit capacity	AC	DC
	1P : 10kA@120/240VAC, 10kA@277VAC (1~25A) 10kA@120/240VAC(30~63A) 2P, 3P : 10kA@240VAC, 480Y/277VAC(1~25A) 10kA@240VAC(30~63A)	1P : 10kA@60VDC 2P, 3P : 10kA@125VDC
Rated frequency	50/60 Hz	
Reference temperature	40°C	
Normal ambient temperature	-5 ~ 40°C	
Tripping curve	B, C, D, K curve	
Trip type	Thermal magnetic	
Type of terminals	Terminal with stirrup(indirect pressure)	
Terminal size acceptability - Min/Max	14 / 4AWG	
Tightening Torque	3.9 Nm (35 lbf-in)	
Installation	Mounting on 35mm din rail	
Dimension of specimen (W×H×D)	18×105×66 (1P)	
Protection degree	IP20	
Accessory	AX-HU, AL-HU, SHT-HU, UVT-HU	
Relative humidity	45~85%RH	
Electrical Endurance	6,000	
Maximum switching frequency (Time/h)	360/h	
Approvals	UL, CB, ABS	

BK63H UL1077 MCB

Miniature circuit breakers

- Pole : 1P, 2P, 3P, 4P
- Rated current : 1~63A
- Curve : B, C, D
- Rated short current : 10kA
- Accessory : AX, AL, SHT, UVT



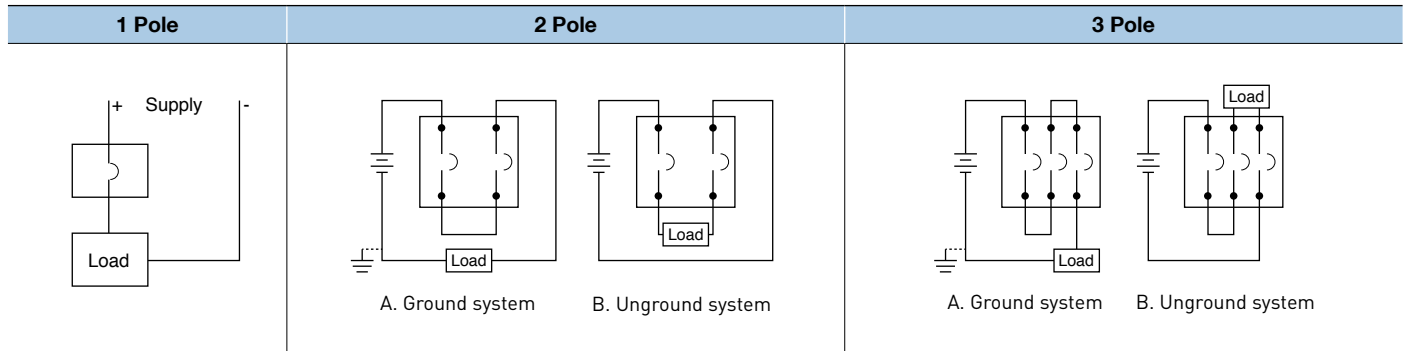
Ratings

Performance	UL1077 MCB	
Standard	UL 1077	
Protection	Overload, Short circuit	
Rated current	1, 2, 3, 4, 5, 6, 8, 10, 15, 16, 20, 25, 30, 32, 40, 50, 63A	
Number of poles	1P, 2P, 3P, 4P	
Rated short circuit capacity	AC	DC
	1P : 10kA@120/240VAC 6kA@277VAC 2P~4P : 10kA@120/240VAC 6kA@480Y/277VAC	1P : 10kA@60VDC 2P~4P : 10kA@125VDC
Rated frequency	50/60 Hz	
Reference temperature	40°C	
Normal ambient temperature	-5 ~ 40°C	
Tripping curve	B, C, D Curve	
Trip type	Thermal Magnetic	
Type of terminals	Terminal with stirrup[Indirect pressure]	
Terminal size acceptability - Min/Max	14 / 4AWG	
Tightening torque	2Nm (17.5 lbf-in)	
Installation	Mounting on 35mm din rail	
Dimension of specimen (W×H×D)	18×81×66 (1P)	
Protection degree	IP20	
Accessory	AX-H, AL-H, SHT-H, UVT-H	
Relative humidity	45~85%RH	
Electrical endurance	6,000	
Maximum switching frequency (Time/h)	360/h	
Approvals	UL, CB, ABS	

Miniature Circuit Breakers

Accessory / Circuit diagrams(BK63HU)

Exemplary DC circuit diagrams(BK63HU)



UL489 accessory

Type		AX-H	AL-H
Appearance			
Rating	AC circuit	6A at 240VAC 3A at 415VAC	
	DC circuit	1A at 110VDC 2A at 48VDC	
Contact			
Dimension(W×H×D)		9 × 105 × 66	

Type	SHT-HU	UVT-HU
Appearance		
Control voltage [Ue]	AC 110~380V DC 60~220V	AC 110~120V AC 220~240V AC 380~415V
Operation voltage	80~110% Ue	-
Trip voltage	-	35~70% Ue
Dimension(W×H×D)	18 × 105 × 66	

UL1077 accessory

Type		AX-H	AL-H
Appearance			
Rating	AC circuit	6A at 240VAC 3A at 415VAC	
	DC circuit	1A at 110VDC	
Contact			
Dimension(W×H×D)		9 × 81 × 66	

Type	SHT-H	UVT-H
Appearance		
Control voltage [Ue]	AC 110~380V DC 60~220V	AC 110~120V AC 220~240V AC 380~415V
Operation voltage	80~110% Ue	-
Trip voltage	-	35~70% Ue
Dimension(W×H×D)	18 × 81 × 66	

Numbering system / Accessory connecting

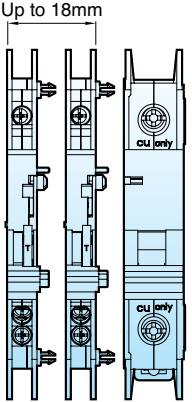
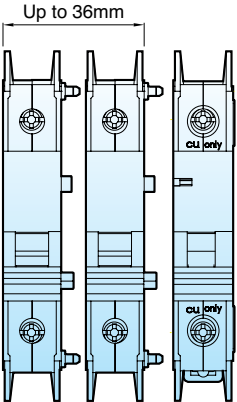
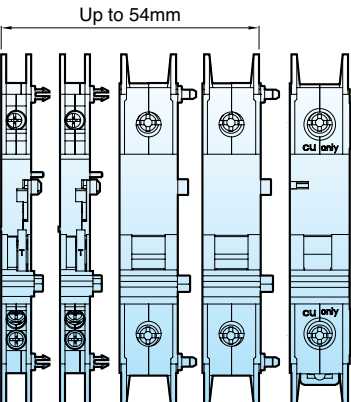
Miniature circuit breakers

UL 489 / 1077 MCB

BK	63H	U	1P	B	63A	10kA	240VAC	UL489
Series	AF	Standard	Pole	Type	A	KA	Rated voltage	Standard
MCB	63	U UL489 UL1077	1P 2P 3P 4P	B-Type C-Type D-Type K-Type	1, 2, 3, 4, 5, 6, 8, 10, 15, 16, 20, 25, 30, 32, 40, 50, 63	6 10	120/240VAC 240VAC 277VAC 480Y/277VAC	UL489 UL1077

AX	H	UL1077
Accessory	Applicable product	Applied standard
AX Auxiliary switch	H (UL1077) BK63H	UL1077 UL1077
AL Alarm switch	HU (UL489) BK63HU	UL489 UL489
SHUT shunt trip device		
UVT Under voltage trip device		

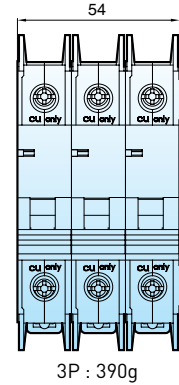
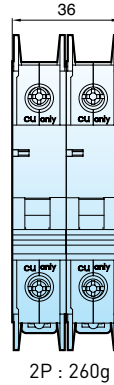
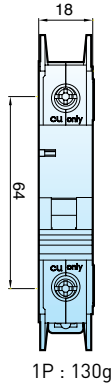
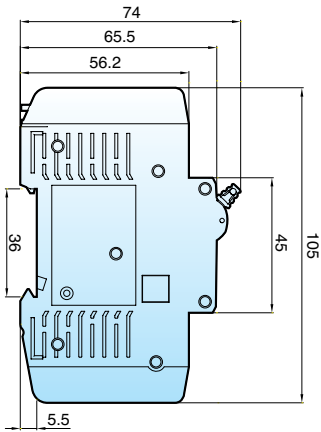
Accessory connecting

Aux. contacts	Tripping devices	Both Aux. contacts and tripping devices
<p>Up to 18mm</p>  <p>AL 9mm AX 9mm MCB 18mm</p>	<p>Up to 36mm</p>  <p>SHUT 18mm UVT 18mm MCB 18mm</p>	<p>Up to 54mm</p>  <p>AL 9mm AX 9mm SHUT 18mm UVT 18mm MCB 18mm</p>

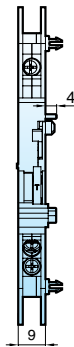
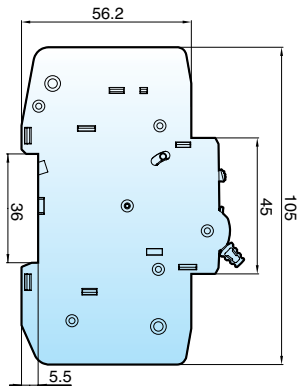
Miniature Circuit Breakers Dimension / Operating curve

UL489 MCB

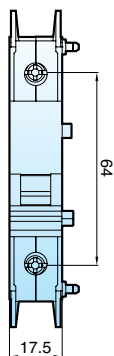
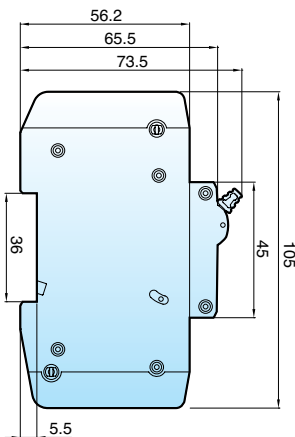
BK63HU



AX-HU/AL-HU



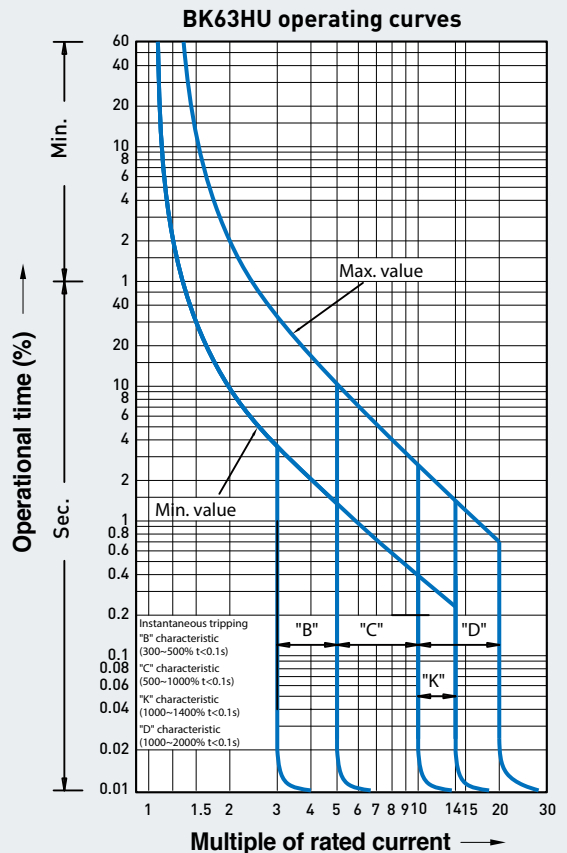
SHT-HU/UVT-HU



SHT : 100g / UVT : 110g

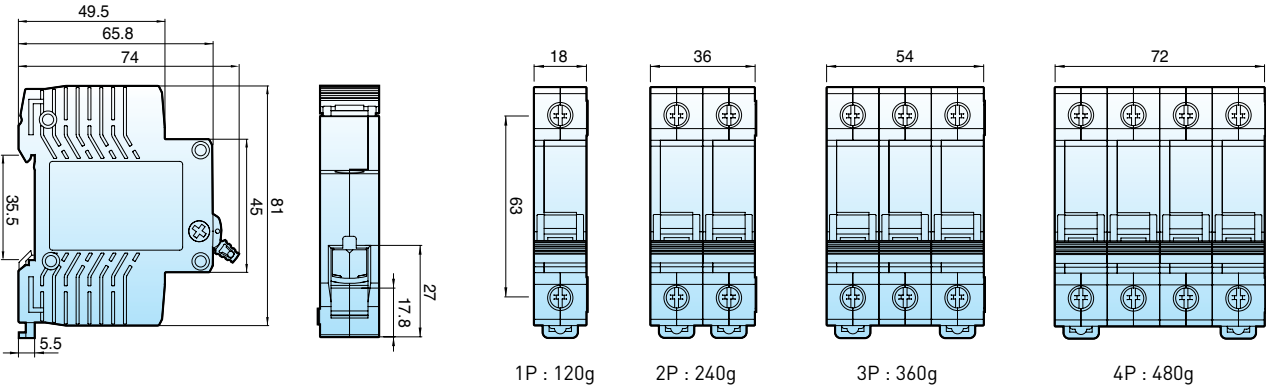
AX : 48g / AL : 48g

UL489 MCB operating curve

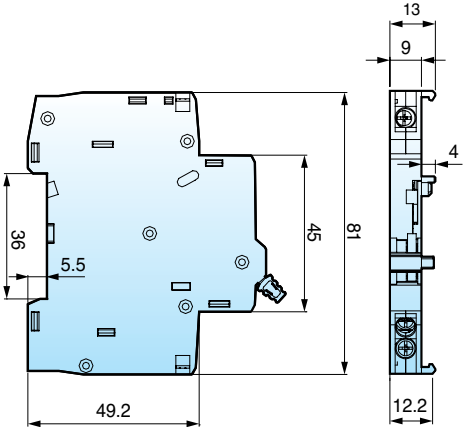


UL1077 MCB

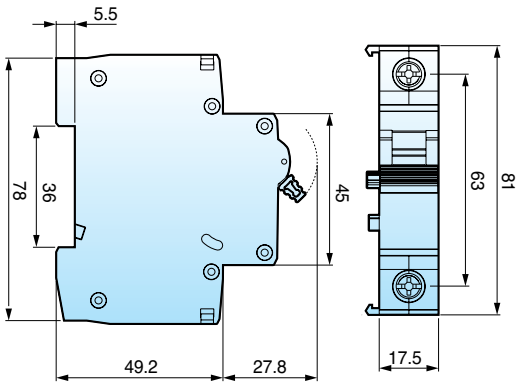
BK63H



AX-H/AL-H

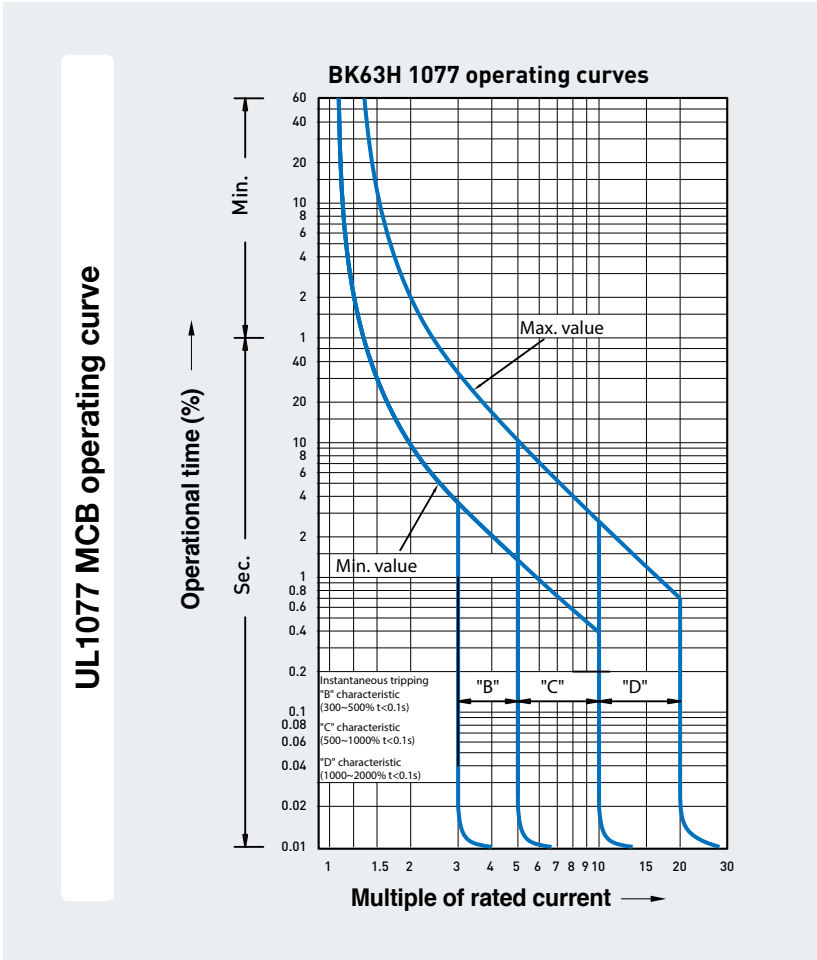


SHT-H/UVT-H



SHT : 100g / UVT : 110g

AX : 48g / AL : 48g



Accessory (Locking device)

Code	Name	ea
06410096	Locking device	1set (12ea)



Type	UVT-H
<p>* Press button and insert into the handle</p>	<ul style="list-style-type: none"> • Lock: $\varnothing 7.0$ • Weight: Not less than 120g • Do not pull over by 10kg.f or more



www.lsis.com/usa



Susol UL MCCB

■ LSIS USA Inc. Chicago Head office

980 Woodlands Parkway, Vernon Hills, IL 60061
Tel: 1-800-891-2941 Fax: 1-847-383-6543 E-mail: sales.us@lsis.com

■ Head Quarter

LS-ro 127(Hogye-dong) Dongan-gu, Anyang-si, Gyeonggi-Do, 14119, Korea
Tel: 82-2-2034-4902, 4684, 4429 Fax: 82-2-2034-4555

■ Overseas Subsidiaries

•LSIS USA Inc. (Chicago, U.S.A.)

Tel: 1-800-891-2941 Fax: 1-847-383-6543 E-Mail: sales.us@lsis.com

•LSIS Middle East FZE (Dubai, U.A.E.)

Tel: 971-4-886-5360 Fax: 971-4-886-5361 E-Mail: shunlee@lsis.com

•LSIS Europe B.V. (Amsterdam, Netherlands)

Tel: 31-20-654-1420 Fax: 31-20-654-1429 E-Mail: europartner@lsis.com

•LSIS Japan Co., Ltd. (Tokyo, Japan)

Tel: 81-3-6268-8241 Fax: 81-3-6268-8240 E-Mail: jschuna@lsis.com

•LSIS(Dalian) Co., Ltd. (Dalian, Chin)

Tel: 86-411-8730-7510 Fax: 86-411-8730-7560 E-Mail: dskim@lsis.com

•LSIS(Wuxi) Co., Ltd. (Wuxi, China)

Tel: 86-510-8534-6666-8005 Fax: 86-510-8534-4078 E-Mail: sojin@lsis.com

•LS VINA Industrial Systems Co., Ltd. (Hanoi, Vietnam)

Tel: 84-4-6275-8055 Fax: 84-4-3882-0220 E-Mail: hjchoid@lsis.com

■ Overseas Branches

•LSIS Co., Ltd. Rep. Office (Vietnam)

Tel: 84-8-3823-7890 E-Mail: sjbaik@lsis.com

•LSIS Moscow Office (Russia)

Tel: 7-495-258-1466 Fax:7-495-258-1467 E-Mail: jdpark1@lsis.com