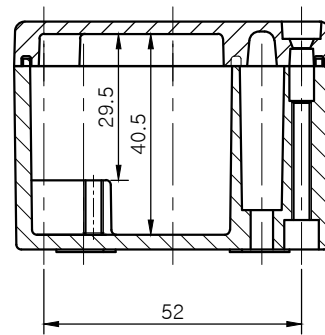
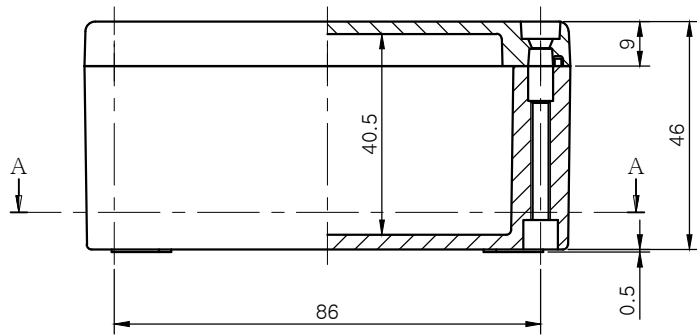


SECTION A-A



Note.

MODEL (모델)	BC-AL-061005			D R (재도)	JUNG,Y.J.	16.11.18	UNIT (단위)	mm
ASSY (완성 규격)	64 * 95 * 46			C K (검도)	PARK,Y.J.	16.11.18	SCALE (비율)	1:1
DWG NO (도번)	AL-061005-03	MATERIAL (재질)		A P (승인)	KIM,D.S.	16.11.19	REV. (개정)	0

**BOXCO®**