

# ZXM Series

Light Duty Limit Switches



## Specifications

<b>Contact Arrangement</b>	Ag Alloy, SPDT(1NO+1NC)
<b>Insulation Resistance</b>	100MΩ at 500V DC
<b>Contact Resistance</b>	Max. 25mΩ
<b>Ambient Temperature</b>	Operation: -20°C~+60°C, Storage: -30°C~+80°C
<b>Ambient Humidity</b>	90%RH Max
<b>Degree of Protection</b>	IP65

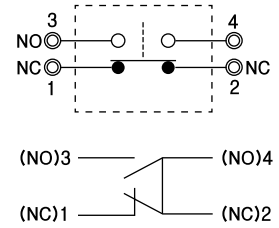
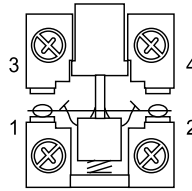
<b>Operation Frequency</b>	Electrical	Max. 30/min
	Mechanical	Max 120/min
<b>Dielectric Strength</b>	1,500VAC 50/60Hz 1min	
<b>Expected Life</b>	Electrical	Min. 300,000
	Mechanical	Min. 10,000,000

## Contact Rating

Rated Voltage	Non-Inductive Load				Inductive Load			
	Resistive Load		Lamp Load		Inductive Load		Motor Load	
	NO	NC	NO	NC	NO	NC	NO	NC
125VAC	6A	6A	0.7A	1.5A	3A	3A	1A	2A
250VAC	6A	6A	0.5A	1A	3A	3A	0.8A	1.5A
500VAC	2A	2A	0.35A	0.75A	0.75A	0.75A	0.4A	0.75A
30VDC	5A	5A	3A	3A	4A	4A	3A	3A
125VDC	0.2A	0.4A	-	-	-	-	-	-
250VDC	0.2A	0.4A	-	-	-	-	-	-

## Contact Diagram

24K Au Plt



## Dimensions

unit: mm



ZXM-301



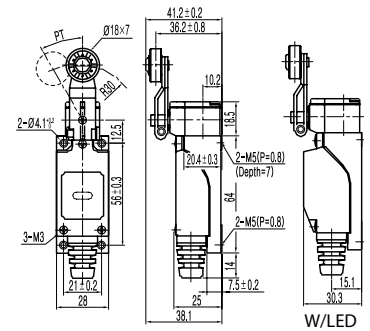
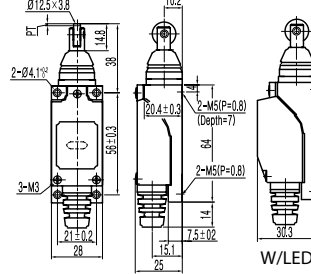
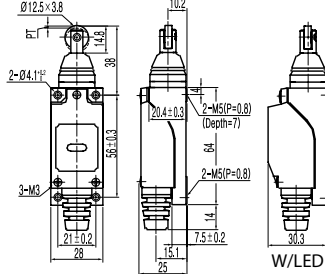
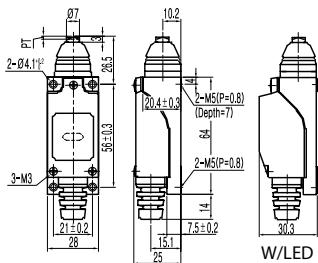
ZXM-302



ZXM-312



ZXM-702



OF	900gf(8.83N)
RF	150gf (1.47N)
PT	1.5mm
MD	0.7mm
OT	4mm
TT	5.5mm

OF	900gf(8.83N)
RF	150gf (1.47N)
PT	1.5mm
MD	0.7mm
OT	4mm
TT	5.5mm

OF	900gf(8.83N)
RF	150gf (1.47N)
PT	1.5mm
MD	0.7mm
OT	4mm
TT	5.5mm

OF	600gf(5.88N)
RF	50gf (0.49N)
PT	20°
MD	10°
OT	75°
TT	95°



**ZXM-703**



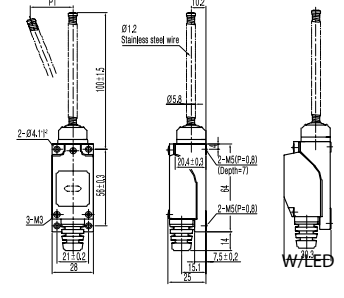
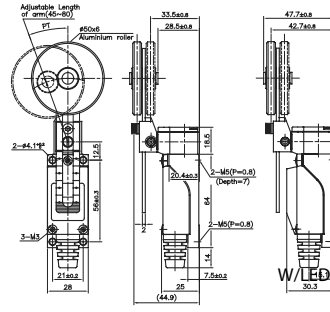
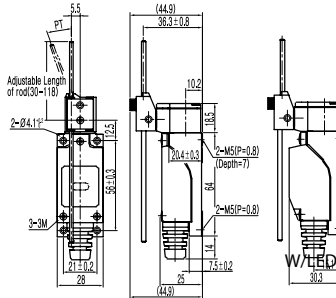
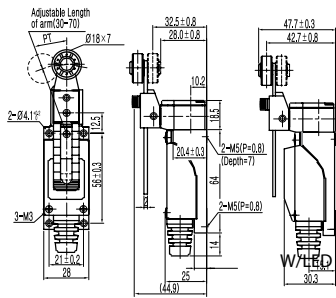
**ZXM-704**



**ZXM-726**



**ZXM-901**



OF	800gf(7.84N)~342gf(3.35N)
RF	50gf(0.49N)~21gf(0.21N)
PT	20°
MD	10°
OT	75°
TT	95°

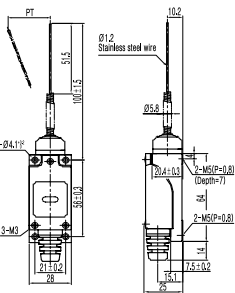
OF	800gf(7.84N)~203gf(1.99N)
RF	50gf(0.49N)~12gf(0.12N)
PT	20°
MD	10°
OT	75°
TT	95°

OF	800gf(7.84N)~342gf(3.35N)
RF	50gf(0.49N)~21gf(0.21N)
PT	20°
MD	10°
OT	75°
TT	95°

OF	90gf(0.88N)
RF	-
PT	30°
MD	-
OT	20°
TT	50°



**ZXM-902**

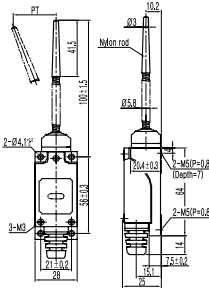


W/LED

OF	90gf(0.88N)
RF	-
PT	30°
MD	-
OT	20°
TT	50°



**ZXM-903**

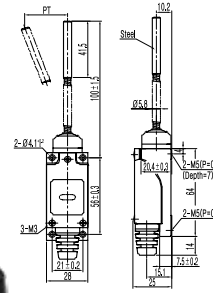


W/LED

OF	90gf(0.88N)
RF	-
PT	30°
MD	-
OT	20°
TT	50°



**ZXM-923**



W/LED

OF	90gf(0.88N)
RF	-
PT	30°
MD	-
OT	20°
TT	50°

**Option Parts**

24K Gold Plated Contact Block  
**ZXM-101**



Indicator Lamp

**ZXM-102**  
LED 12 ~ 24V AC/DC  
**ZXM-103**  
Neon 80/240V AC



\*Changeable ON status at NC or NO