

M Series


Light Duty Foot Switches



Specifications

	M1	M2	M3	MX1	MD2	MD23	MD25	MD3	MD4	M5	M8	M52	M6
Contact	SPDT (1NO + 1NC)										1NO	2NO + 2NC	
Regular Current	10A 250VAC												
Built-in Switch	V type micro switch (UL, CUL, VDE, CE Certified) + 24K gold plated												
Body Material	Plastic		Steel	Aluminum Die cast						Plastic			
Function	Momentary				Maintained			Momentary					
Degree of Protection	IP54										IP67	IP68	IP67
Cable	0.75 mm ² x 3 line cables x 2 m												

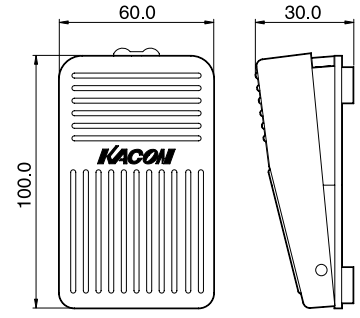
Plastic Housing (Unit: mm)




HRF-M1
100.0 X 60.0 X 30.0

IP54

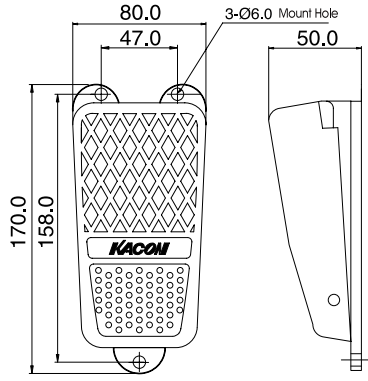
Y G






HRF-M3
170.0 X 80.0 X 50.0

IP54

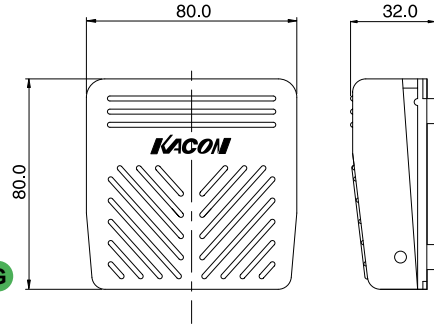





HRF-M2
85.0 X 80.0 X 32.0

IP54

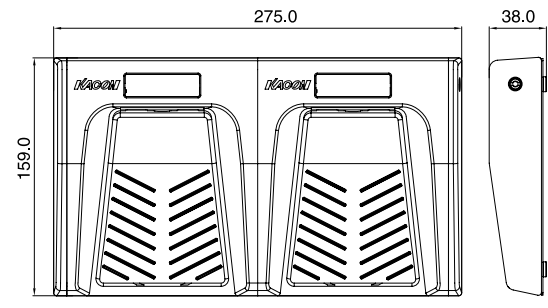
Y G






HRF-M52
159.0 X 275.0 X 38.0

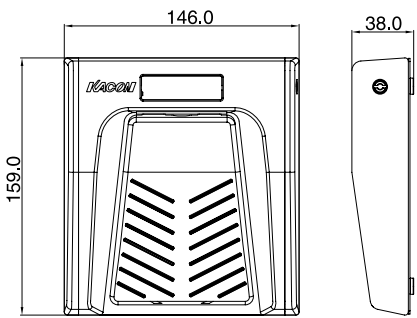
IP67






HRF-M5
159.0 X 146.0 X 38.0

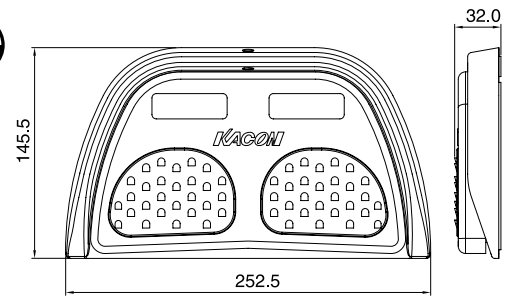
IP67





HRF-M6
145.0 X 252.5 X 32.0

IP67

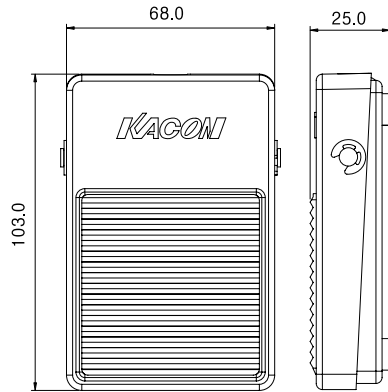


Metal Housing

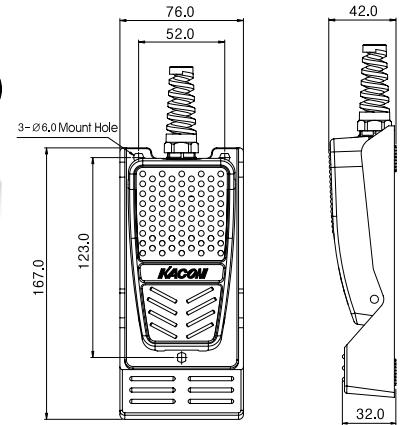
(Unit: mm)



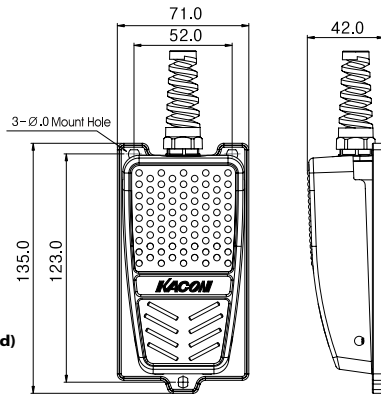
HRF-MX1
103.0 X 68.0 X 25.0



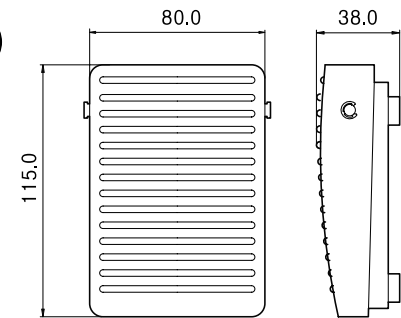
HRF-MD2S
167.0 X 76.0 X 42.0



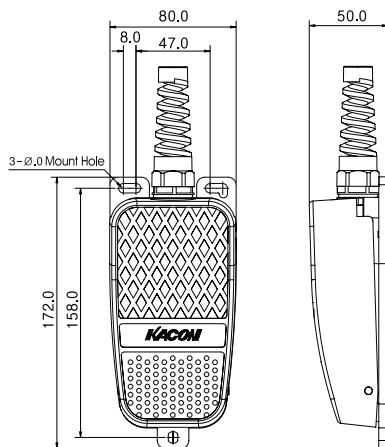
HRF-MD2
HRF-MD23(Maintained)
135.0 X 71.0 X 42.0



HRF-MD4
115.0 X 80.0 X 38.0



HRF-MD3
172.0 X 80.0 X 50.0



HRF-MD8
111.7 X 77.0 X 35.0

