

# MW86T/M Series

Ø86mm LED Steady, Flashing & Rotating Lights

- High intensity LED
- Steady, Flashing and Rotating for MW86T
- Steady and flashing for MW86M
- 2 flashing mode: Standard and Emergency Signaling
- Adjustable Sound volume and Rotating speed
- 3 Melody & 3 siren modes



## Ordering Information

MW86 T - R 00 - Y - M3 (B)  
 ① ② ③ ④ ⑤

① Model	<b>T - R</b>	LED Steady/Flashing/Rotating
	<b>M - F</b>	3 color in 1 LED Steady/Flashing
② Power	<b>00</b>	12 ~ 24VDC
	<b>FF</b>	90 ~ 240VAC
③ Lens Colors	<b>R</b>	Red
	<b>Y</b>	Yellow
	<b>G</b>	Green
	<b>B</b>	Blue
	<b>C</b>	Clear
	MW86M	<b>RYG</b>
<b>RGB</b>		Red, Green, Blue
④ Sound Type	<b>M3</b> (melody)	Fur Elise
		Home, Sweet home
		The Cuckoo Waltz
	<b>S3</b> (Siren)	Fire truck
		Police car
⑤ Body color	<b>B</b>	Ivory
		Black



Horn Type

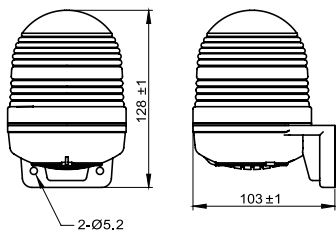


Standard Type

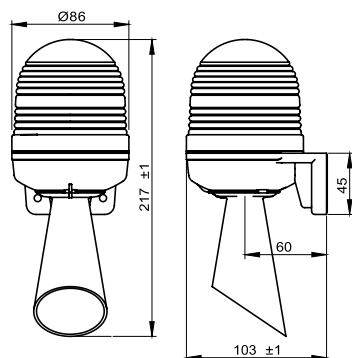


## Dimensions (Unit: mm)

Standard Type



Horn Type

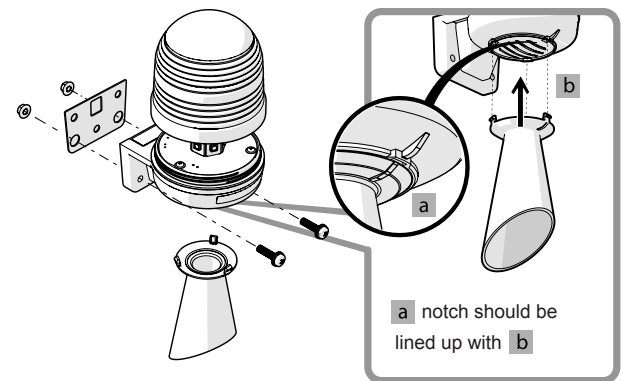
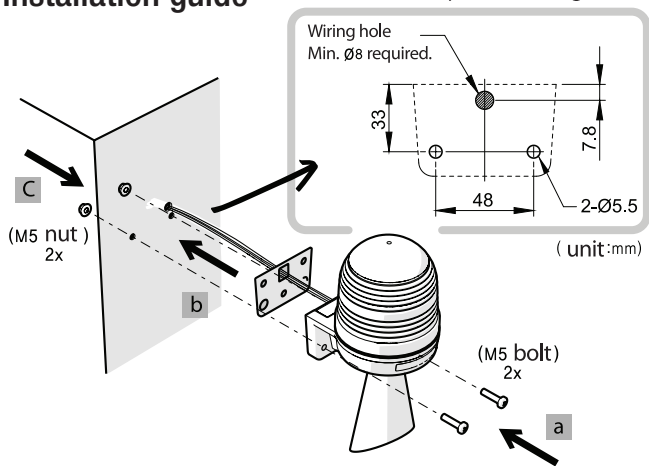


## Specifications

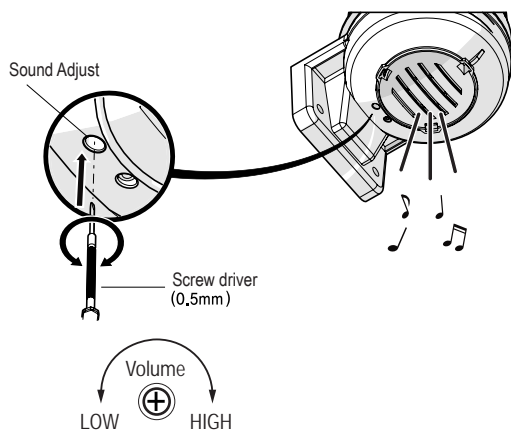
Model	MW86T		MW86M	
Lighting type	LED Steady / Flashing / Rotating		LED Steady / Flashing	
Power Supply	12 ~ 24VDC	90 ~ 240VAC(50~60Hz)	12 ~ 24VDC	90 ~ 240VAC(50~60Hz)
Current Consumption	Light	Max 0.32A ±10%	Max 0.10A ±10%	Max 0.40A ±10%
	Sound	Max 0.20A ±10%	Max 0.06A ±10%	Max 0.20A ±10%
Flash Rate	80 time/min ± 5 (F1), 240 time/min ± 10 (F3)			
Rotation Rate	60 ~ 300 ± 10 RPM		N/A	
Alarm Sound Level	Standard Type	55 ~ 85±5dB	Standard Type	55 ~ 85±5dB
	Horn Type	55 ~ 90±5dB	Horn Type	55 ~ 90±5dB
Material	Body: ABS, Lens: PC			
Insulation Resistance	100 MΩ minimum (500VDC mega)			
Ambient Temperature	-20~40°C			
Storage Temperature	-20~70°C			
Ambient Humidity	45~85% RH			
Degree of Protection	Standard Type	IP43	Standard Type	IP43
	Horn Type	IP54	Horn Type	IP54
Recommended Wire Size	UL1007/22AWG			
Weight	Standard Type	Approx. 279g	Standard Type	Approx. 286g
	Horn Type	Approx. 306g	Horn Type	Approx. 313g
Certificate/Compliance	RoHS			

## Installation guide

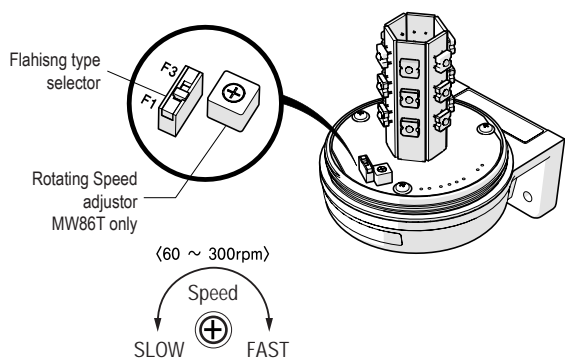
### Installation panel drawing



## Volume Control



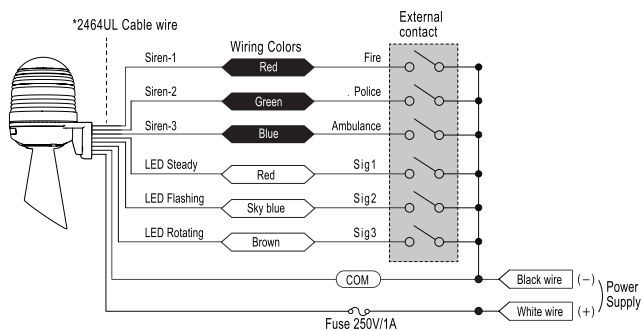
## Flashing/Rotating setting



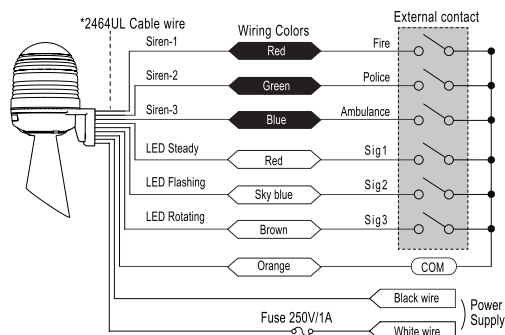
## Wiring Diagram

### MW86T

12 ~ 24V

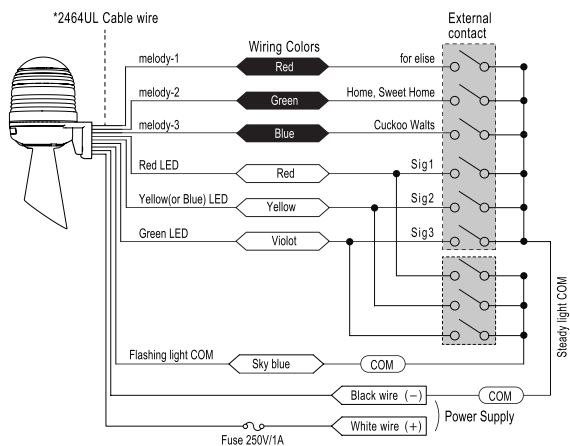


### 90 ~ 240V



### MW86M

12 ~ 24V



### 90 ~ 240V

