

- Optional LED bulbs available
- Prism-cut lenses for even light distribution
- Direct, Pole or Wall Mount
- Wire leads connection

MT4B/5B/8B Series

Ø45mm/Ø56mm/Ø85mm



Specifications

| | | | | | | | | | |
|------------------|---------|--------------------|-------|-----------|-------|-------------|-------|-------------|-------|
| Operation | | Steady | | | | | | | |
| Maximum tier | | 5 stacks | | | | | | | |
| Power Supply | | 12V AC/DC | | 24V AC/DC | | 100-120V AC | | 220-240V AC | |
| | | 4B | 5B/8B | 4B | 5B/8B | 4B | 5B/8B | 4B | 5B/8B |
| Current Draw | 1 Stack | 0.4A | 0.8A | 0.2A | 0.4A | 0.04A | 0.8A | 0.02A | 0.04A |
| | 2 Stack | 0.8A | 1.7A | 0.4A | 0.8A | 0.09A | 0.16A | 0.04A | 0.08A |
| | 3 Stack | 1.2A | 2.5A | 0.6A | 1.2A | 0.13A | 0.24A | 0.06A | 0.12A |
| | 4 Stack | 1.6A | 3.3A | 0.8A | 1.6A | 0.16A | 0.32A | 0.08A | 0.16A |
| | 5 Stack | 2.0A | 4.2A | 1.0A | 2.0A | 0.20A | 0.40A | 0.10A | 0.20 |
| Lens Material | | PC Plastic | | | | | | | |
| Rating | | IP 54 | | | | | | | |
| Vibration | | 3mm at 10~55Hz | | | | | | | |
| Ambient Temp. | | -15°C~40°C | | | | | | | |
| Ambient Humidity | | 45~85% RH | | | | | | | |
| Wire Size | | 1007 UL / 22 AWG | | | | | | | |
| Certificate | | MT4B: UL, CE, RoHS | | | | | | | |
| | | MT5B/8B: RoHS | | | | | | | |

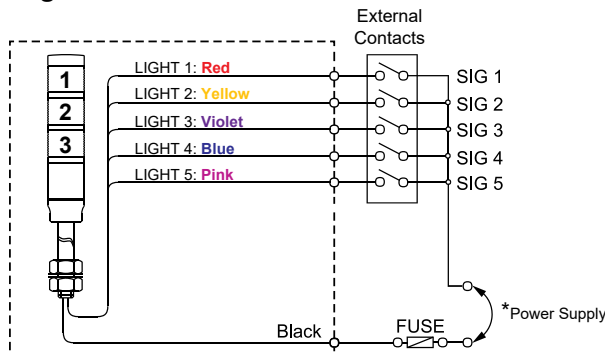


Replacement Parts

| | | Part Number | Power Supply/Specification |
|--------------|----------|------------------|----------------------------|
| MT4B | LED | LED-T09-S-12-C | 12V DC |
| | | LED-T09-S-24-C | 24V DC |
| | BULB | MAB-T09-S-012-05 | 12V, 5W AC/DC |
| | | MAB-T09-S-024-05 | 24V AC/DC, 5W |
| | | MAB-T09-S-130-05 | 110~120V AC, 5W |
| | | MAB-T09-S-240-05 | 220~240V AC, 5W |
| Lens | MAL-4(□) | Ø45mm | |
| MT5B MT8B | LED | LED-T15-D-12-C | 12V DC |
| | | LED-T15-D-24-C | 24V DC |
| | | LED-T15-D-110-C | 110~120V AC |
| | | MAB-T15-D-012-10 | 12V AC/DC, 10W |
| | BULB | MAB-T15-D-024-10 | 24V AC/DC, 10W |
| | | MAB-T15-D-120-10 | 110~120V AC, 10W |
| | | MAB-T15-D-240-10 | 220~240V AC, 10W |
| | | Lens | MAL-5(□) |
| | MAL-8(□) | | Ø86mm |

(□): indicates color of LED or Lens; R, Y, G, B or C

Wiring Diagram



* No polarity for DC applications.

Ordering Information

MT 4 B 5 A L - RYGC
 ① ② ③ ④ ⑤ ⑥

| | | |
|-------------------------------------|---|-------------|
| ① Lens Diameter | 4 | Ø45mm |
| | 5 | Ø56mm |
| | 8 | Ø85mm |
| ② Light Style | B | Steady |
| | | |
| ③ Number of Stacks | 1 | 1 Light |
| | 2 | 2 Lights |
| | 3 | 3 Lights |
| | 4 | 4 Lights |
| | 5 | 5 Lights |
| ④ Power Supply | D | 12V AC/DC |
| | A | 24V AC/DC |
| | B | 110~120V AC |
| | C | 220~240V AC |
| ⑤ Connection | L | Lead Wires |
| | | |
| ⑥ Lens Colors (top to bottom) | R | Red |
| | Y | Yellow |
| | G | Green |
| | B | Blue |
| | C | Clear |

See page B1 - B2
for mounting options and accessories

Tower Lights

Beacon Lights

LED Indicators Pilot Lamps

Buzzer Alarms

Pushbutton Switches

Limit Switches

Foot Switches

SSR

Relay & Sockets

Relay Terminal Blocks

Terminal Blocks

Fuse Holders

Enclosures

Enclosures