

- Large 140mm lens, flashing & rotating LED light
- Outstanding visibility with dual reflection system
- 5 signal sounds up to 100dB
- Built-in LED mode change switch
- Stud or Wall mounting with optional bracket

MSGT Series

D140mm Square Tower Warning Signal Light



Specifications

Lighting Type	Steady, Flashing, Rotation
Power Supply	12VDC ±5%, 24VDC ±5% 110VAC ±10%, 220VAC ±10% (AC: 50/60Hz)
Maximum stacked quantity	Fixed frame, 1~3 stack versions available (4 stack : option)
Flashing rate	Continuous flashing (emergency signal) 240 ±10 times per minute
Rotating rate	250 ±10rpm (Clockwise Rotation)
Sound volume	Speaker 15W / App. 100 ±5dB at 1 meter
Ambient humidity	45 ~ 85% RH
Ambient temperature	-15 ~ 40°C
Storage ambient temperature	-20 ~ 70°C
Vibration	0.75mm at 10 ~ 55Hz
Withstand voltage	500VAC 50/60 Hz for 1 minute
Insulation resistance	More than 100MΩ (500VDC)
Protection structure	IP23 (Upright)
Weight	App. [1S: 2.7Kg] [2S: 3.3Kg] [3S: 4.0Kg]

Ordering Information

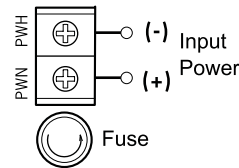
MSGT - 4 01 - RYGB
 ① ② ③

① Number of Stacks	1	1 Light
	2	2 Lights
	3	3 Lights
	4	4 Lights
② Power Supply	01	12VDC
	02	24VDC
	10	110VAC
	20	220VAC
③ Lens Colors	R	Red
	Y	Yellow
	G	Green
	B	Blue

Current Consumption

# of Stacks	LED Color	12VDC		24VDC		110VAC		220VAC	
		Standard	Speaker	Standard	Speaker	Standard	Speaker	Standard	Speaker
1 Stack	Red	0.25A	0.47A	0.14A	0.36A	0.11A	0.15A	0.05A	0.07A
	Yellow	0.37A	0.49A	0.15A	0.37A	0.12A	0.15A	0.07A	0.09A
	Green	0.33A	0.53A	0.19A	0.4A	0.12A	0.16A	0.06A	0.08A
2 Stack	RG	0.52A	0.69A	0.3A	0.51A	0.15A	0.19A	0.07A	0.1A
	RY	0.47A	0.66A	0.26A	0.48A	0.14A	0.18A	0.07A	0.09A
3 Stack	RYG	0.68A	0.84A	0.42A	0.64A	0.19A	0.23A	0.09A	0.11A
	RBG	0.68A	0.84A	0.42A	0.64A	0.19A	0.23A	0.09A	0.11A
4 Stacks	RYGB	1.50A	1.50A	0.57A	1.50A	0.31A	0.38A	0.16A	0.2A

Wiring Diagram

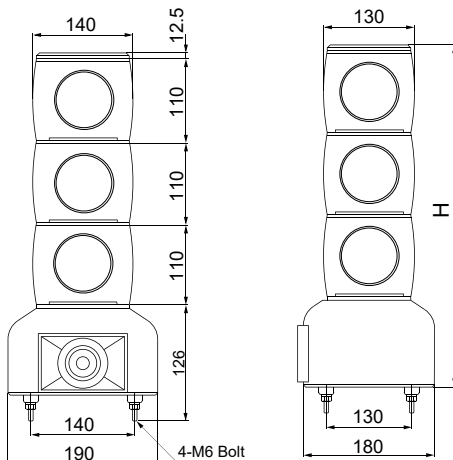


Sound List

- 3P / Siren 1 - An ambulance siren
- 4C / Siren 2 - Police car siren
- 4P / Siren 3 - Fire car siren
- 5C / Melody 1 - Home Sweet Home
- 5P / Melody 2 - For Elise

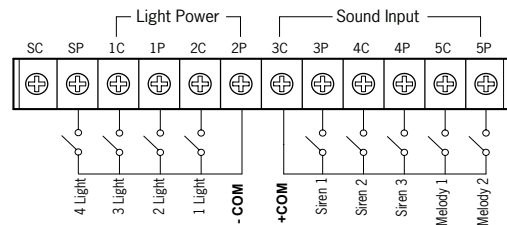
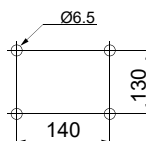
Dimensions

unit: mm



# of Stack	H (mm)
1	374
2	384
3	494
4	604

Mounting hole layout



* Be careful of wiring Light COM and Sound Com. It may cause product damage.

