



MS86M Series

Ø86mm Multi Colors & 1 High Intensity LED Signal Lights

- Multi colors ledlight
- High brightness led light
- Adjustable sound level 10 ~ 100db
- Flashing cycles : 2 patterns (selectable by a switch)



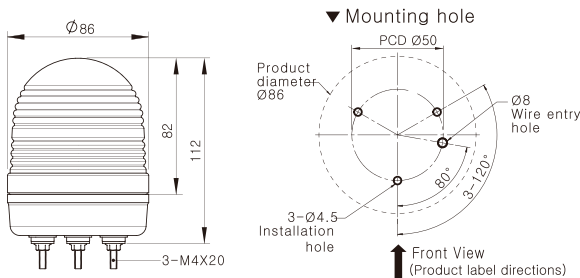
Ordering Information

MS86M F 00 - RYG
 ① ② ③

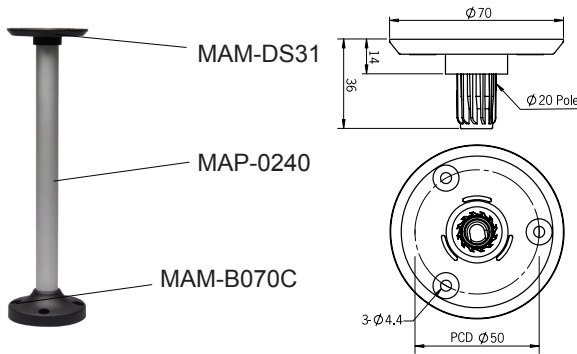
① Light Style	F	Steady & Flashing
	B	Steady & Falshing w/Audible Alarm
② Power Supply	00	12-24V AC/DC
	FF	90 ~240V AC
③ Colors	RYG	Red, Yellow and Green
	RBG	Red, Green and Blue

Dimensions

unit: mm



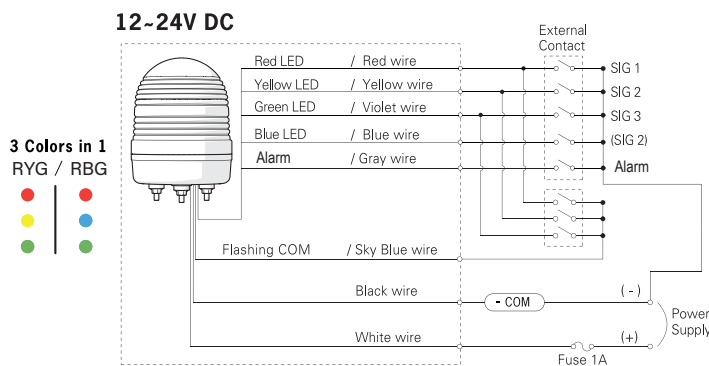
MS86 Pole Mounting Option MAM-DS31 Dimensions



Specifications

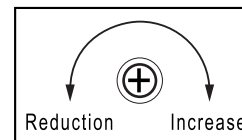
Lighting type	Steady+Flashing w/Audible Alarm	
Power Supply	12~24VAC/DC	90~240VAC
Current Consumption	LED	0.6A
	w/Alarm	0.76A
Flash Rate	F1: 80 ±10 flashes/minute F3: 240 ±10 flashes/minute	
Alarm Sound Level	10-100 ±5dB at 1m: Volume adjustable	
Vibration	0.75mm at 10~55Hz	
Insulation Resistance	100 MΩ minimum (500VDC mega)	
Ambient Temperature	-20~40°C	
Storage Temperature	-40~70°C	
Ambient Humidity	45~85% RH	
Degree of Protection	IP65	
Recommended Wire Size	UL1007/22AWG	
Weight	270g	

Wiring Diagram

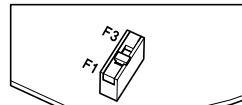


Feature settings

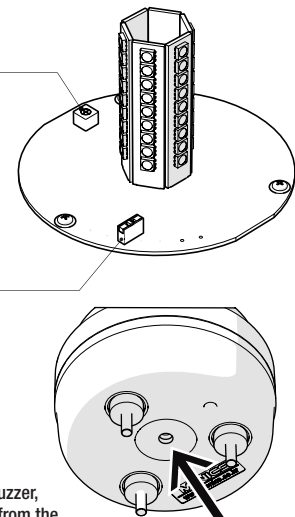
- Alarm volume control



-Flash settings



F1: 80 ±10 flashing per minute
F3: 240 ±10 flashing per minute



Alarm hole

Please See Our "Mounting and Accessories" Section for Mounting Options

*When installing a light with built in buzzer, please allow minimum of 5mm space from the surface to the base of unit.