



# MS135T Series

Ø135mm LED Warning Light

- Excellent visibility outdoor and long distance
- Multi-function with various sound options
- Adjustable rotating speed & sound volume
- IP65 rated



## Specifications

Lighting type	Flashing(emergency signal flash pattern), rotating, Buzzer						
Power Supply	12-24V DC			100-240V AC			
Current Consumption	Color	Standard	Buzzer	Melody / Siren	Standard	Buzzer	Melody / Siren
	Red	0.75A	0.78A	0.90A	0.10A	0.13A	0.14A
	Yellow	0.75A	0.78A	0.90A	0.10A	0.13A	0.14A
	Green	0.72A	0.75A	0.90A	0.08A	0.10A	0.14A
	Blue	0.72A	0.75A	0.90A	0.08A	0.10A	0.14A
Clear	0.75A	0.78A	0.90A	0.10A	0.12A	0.14A	
Flash Rate	240±5 time/min						
Rotation Rate	60 ~ 300±10 rpm (Clockwise)						
volume	Buzzer volume (Built-in volume control)			Sound volume (built-in volume)			
	intermittent sound (Beep-Beep-Beep) : 75~100±5dB (1M)			55~80±5dB (1M) (Melody: for Elise, Home sweet home Cuckoo waltz) (Siren: Fire, Police, Ambulance)			
Vibration	10 ~ 55Hz (1 min.cycle) Double amplitude 0.75mm X, Y, Z						
Ambient Temperature	-15 ~ 50°C						
Storage Temperature	-20 ~ 70°C						
Ambient Humidity	45~85% RH						
Degree of Protection	IP65						
Mounting Option	Stud/Pole/Wall mounting						
Connection method	Exposed wiring connections						
Recommended Wire Size	UL2464/22AWG						
Weight	app.555g						
Certificate/Compliance	RoHS						

## Ordering Information

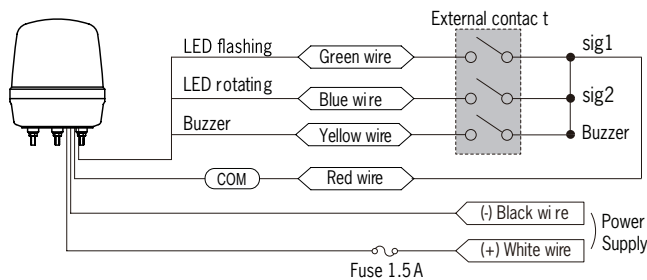
MS135T - B 00 - R  
 ① ② ③

① Light Style	<b>R</b>	Flashing + Rotating
	<b>B</b>	Flashing + Rotating + Buzzer
	<b>M*</b>	Flashing + Rotating + Melody
	<b>S*</b>	Flashing + Rotating + Siren
② Power	<b>00</b>	12 - 24V DC
	<b>FF</b>	100 - 240V AC
③ Lens Colors	<b>R</b>	Red
	<b>Y</b>	Yellow
	<b>G</b>	Green
	<b>B</b>	Blue
	<b>C</b>	Clear

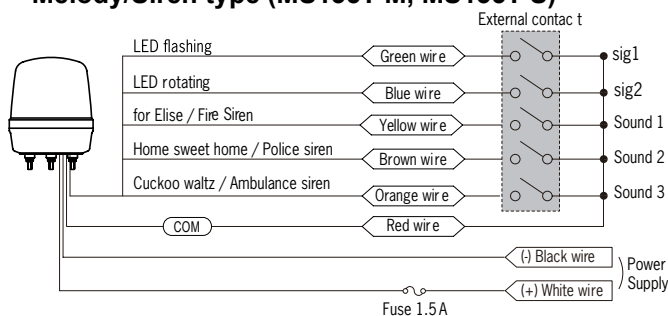
\* Pole mounting option is not applicable for M or S type

## Wiring Diagram

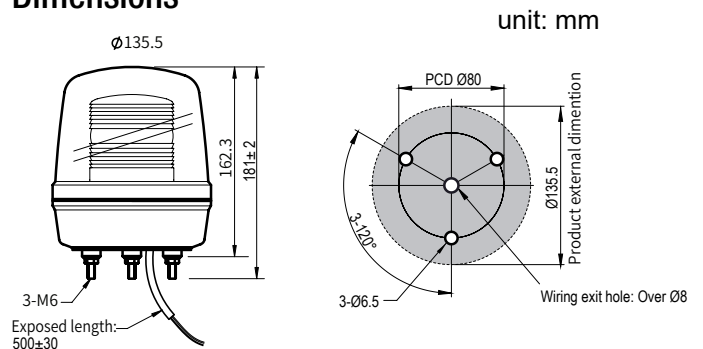
### Standard buzzer type (MS135T-R, MS135T-B)



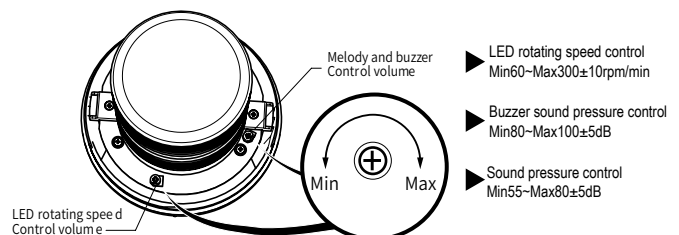
### Melody/Siren type (MS135T-M, MS135T-S)



## Dimensions



## Feature Setting



- Strong flash using reflector with 25W bulb
- Weather resistant lens and body
- LED bulb replacement available
- IP65 rated

# MS135B Series

Ø135mm Rotating Warning Light

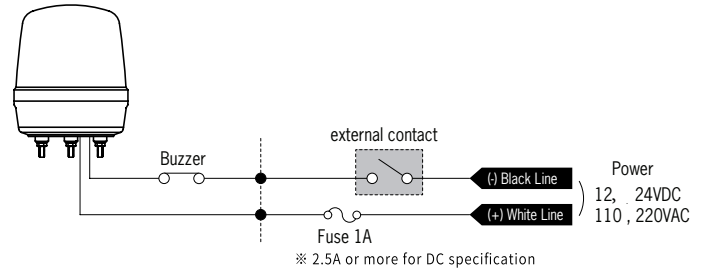


## Ordering Information

**MS135B - B 01 - R**  
 ① ② ③

① Function	No mark	Reflector rotation
	<b>B</b>	Reflector rotation + Buzzer
② Power	<b>01</b>	12VDC
	<b>02</b>	24VDC
	<b>10</b>	110VAC
	<b>20</b>	220VAC
③ Lens Colors	<b>R</b>	Red
	<b>Y</b>	Yellow
	<b>G</b>	Green
	<b>B</b>	Blue
	<b>C</b>	Clear

## Wiring Diagram

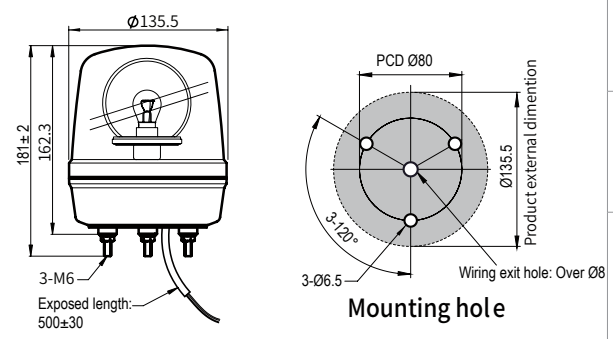


## Specifications

Light source	Incandescent bulb			
Power Supply	12VDC	24VDC	110VAC	220VAC
Current Consumption	2.08A, 25W	1.04A, 25W	0.22A, 25W	0.11A, 25W
Rotation Rate	150 ±10% rpm/min			
Buzzer volume	90 ±5dB (1M) beep-beep-beep : The volume can not be adjusted			
Lens color	Red, Yellow, Green, Blue, Clear			
Mounting options	Stud/Pole/Wall mounting			
Connection method	Exposed wiring connections			
Ambient temperature	-15 ~ 50°C			
Storage ambient temperature	-20 ~ 70°C			
Ambient humidity	45 ~ 85% RH			
Dielectric strength	1 Min. at 1000VAC 50/60Hz			
Insulation Resistance	100MΩ or more (500VDC Megger basis)			
Vibration resistance	10 ~ 55Hz (1 min cycle) Double amplitude 0.75mm X, Y, Z			
Protection structure	IP65			
Connection	UL2464/22AWG			
Bulb life	1,000 hrs			
Approval	RoHS			
Weight	app.555g			

## Dimensions

unit: mm



## Replacement Parts

LED Bulb		MAL-T15-D-12-C	12V
		MAL-T15-D-24-C	24V
		MAL-T15-D-120-C	110V
		MAL-T15-D-240-C	220V
Incandescent BULB		MAM-T15-D-012-25	12V 25W
		MAB-T15-D-024-25	24V 25W
		MAB-T15-D-130-25	110V 25W
		MAB-T15-D-240-25	220V 25W

Tower Lights

Beacon Lights

LED Indicators Pilot Lamps

Buzzer Alarms

Pushbutton Switches

Limit Switches

Foot Switches

SSR

Relay & Sockets

Relay Terminal Blocks

Terminal Blocks

Fuse Holders

Enclosures