



MS115T Series

Ø115mm Multi Function LED Signal Light

- Low body type (20mm)
- Wide light distribution with prism-cut lens
- Outstanding visibility at distance
- 2 flashing patterns (selectable by DIP Switch)
- IP65 rated



Specifications

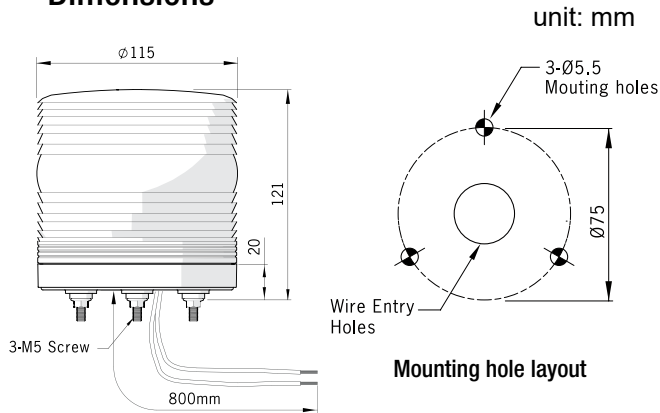
Lighting type	Steady/Flashing/Rotating w/Buzzer		
Power Supply	12-24V AC/DC	90-240V AC	
Current Consumption	Red	0.54A/ 0.69A(w/Buzzer)	0.08A/ 0.23A (w/Buzzer)
	Yellow	0.53A/ 0.69A (w/Buzzer)	0.07A/ 0.23A (w/Buzzer)
	Green	0.25A/ 0.39A (w/Buzzer)	0.04A/ 0.19A (w/Buzzer)
	Blue	0.54A/ 0.69A (w/Buzzer)	0.08A/ 0.23A (w/Buzzer)
	Clear	0.24A/ 0.39A (w/Buzzer)	0.04A/ 0.19A (w/Buzzer)
Flash Rate(adjustable)	F1: 80 ±10 flashes/minute F3: 240 ±10 flashes/minute(Emergency signal)		
Rotation Rate	60 ~ 300±10 rpm (Clockwise)		
Alarm Sound Level(Adjustable)	10 - 100dB±5 at 1m		
Vibration	0.75mm at 10~55 Hz		
Ambient Temperature	-20~40°C		
Storage Temperature	-20~70°C		
Ambient Humidity	45~85% RH		
Degree of Protection	IP65		
Recommended Wire Size	UL1007/22AWG		
Weight	360g		
Certificate/Compliance	RoHS, UL		

Ordering Information

MS115T - R 00 - R
 ① ② ③

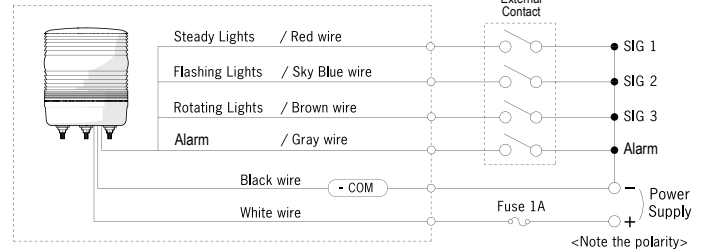
① Light Style	F	Steady/Flashing
	R	Steady/Flashing/Rotating
	B	Steady/Flashing/Rotating+Alarm
② Power	00	12 - 24V AC/DC
	FF	90 - 240V AC
③ Lens Colors	R	Red
	Y	Yellow
	G	Green
	B	Blue
	C	Clear

Dimensions

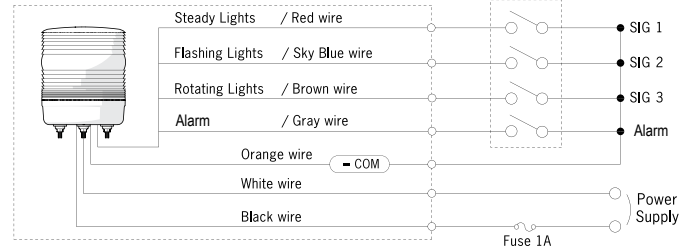


Wiring Diagram

12-24V DC

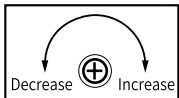


90-240V AC

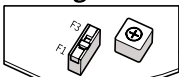


Function Setting

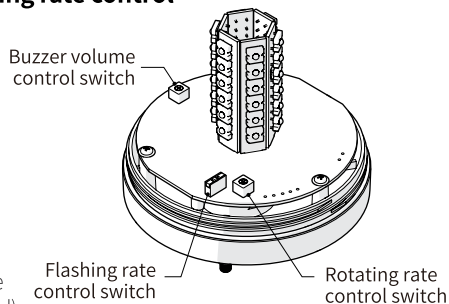
Buzzer volume / Rotating rate control



Flashing rate control



F1: 80 ±10 times per minute
 F3: 240 ±10 times per minute
 (when using emergency signal)



Wall mounting options (for all MS115 Series)

