



MS115L Series

Ø115mm LED Steady & Flashing Lights

- Triple-reflection System
- Enhanced Illumination : USE of long-life, Super bright LED
- Energy Efficient : Low power consumption



Specifications

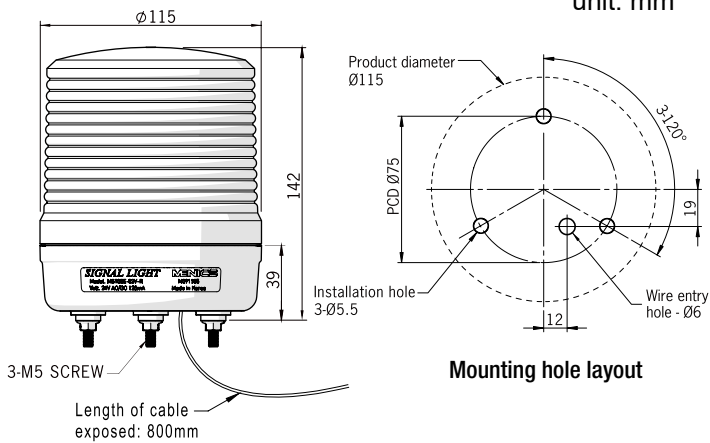
Style		LED Steady, Flashing + Buzzer	
Power Supply		24VAC/DC	90~240VAC
Current Consumption	R	130mA	30~70mA
	Y	110mA	
	G	250mA	
	B	250mA	
	C	285mA	
Alarm		30mA	
Flash rate		80 ±5 flashes/min	
Alarm Sound Level		80 ±5 dB at 1m	
Vibration		0.75mm at 10~55Hz	
Ambient Temp.		-20~40°C	
Storage Temp.		-20~70°C	
Ambient Humidity		45~85% RH	
Degree of Protection		IP65	
Recommended Wire Size		PUR Ø5 / PVC Ø1.25 2P 0.3SQ, 300mm	
Weight		Approx. 325g	
Certificate/Compliance		RoHS, UL	

Ordering Information

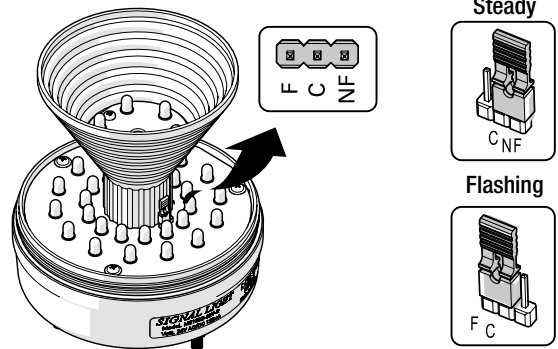
MS115L - F 02 - R
 ① ② ③

① Style	F	Steady & Flashing
	B	Steady & Flashing w/Alarm
② Power Supply	02	24V AC/DC
	FF	90-240V AC
③ Colors	R	Red
	Y	Yellow
	G	Green
	B	Blue
	C	Clear

Dimensions

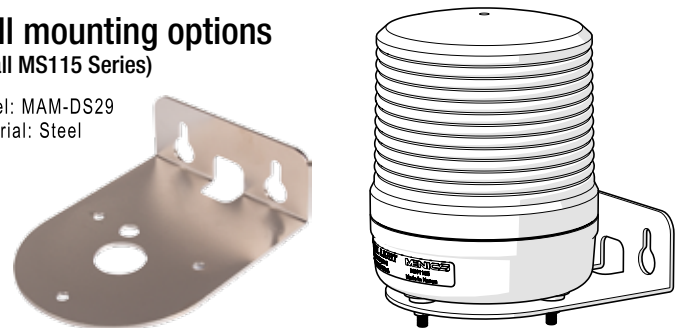


Feature settings



Wall mounting options (for all MS115 Series)

Model: MAM-DS29
Material: Steel



Wiring Diagram

