

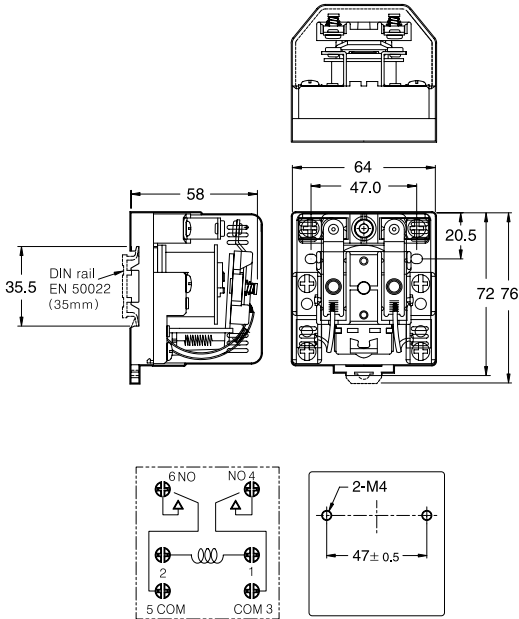
HR723 Series

Heavy Duty Relays



Dimensions (unit: mm)

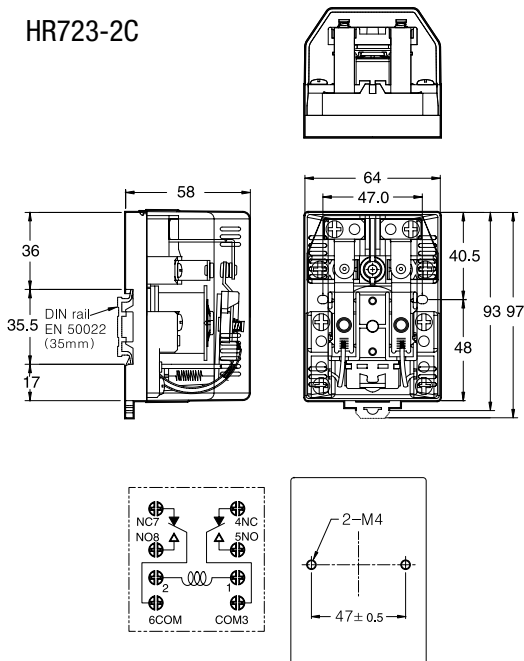
HR723-2A



Specifications

Part Numbers		HR723-2A-220VAC	HR723-1C-220VAC	HR723-2C-220VAC
Contact	Configuration	HR723-2A -110VAC	HR723-1C -110VAC	HR723-2C -110VAC
	Material	HR723-2A -24VDC	HR723-1C -24VDC	HR723-2C -24VDC
	Max. Switching current	30A		
	Rated Max. Resistive Load	30A at 24VDC/220VAC		
	Max. Switching Voltage	110VDC/250VAC		
	Min. Switching requirement	100mA 5VDC		
Coil Spec.	Voltage range	12VDC to 24VDC, 110VAC to 220VAC		
	Power consumption	AC: approx. 9.6VA, DC: approx. 2.8W		
	Minimum operating voltage	80% of the rated coil voltage		
	Max. Dropout voltage	DC Coil: 10% of rated voltage AC Coil: 30% of rated voltage		
General Info.	Operating Time	30ms		
	Dropout time	30ms		
	Insulation resistance	100MΩ at 500V DC		
	Dielectric Strength	Between Contact(2a): 2,000 Vrms 1Min.		
		Between Contact & Coil: 2,500Vrms 1Min.		
	Mechanical life	5,000,000 operations		
	Electrical life	100,000 operations		
	Vibration resistant	10~55Hz at double amplitude of 1.5mm		
	Ambient temperature	-55 ~ +80°C(-67°F~176°F) at non freezing		
	Ambient humidity	5% ~ 80% RH		
Relay Weight	250g (8.8oz)	200g (7oz)	300g (10.6oz)	

HR723-2C



HR723-1C

