

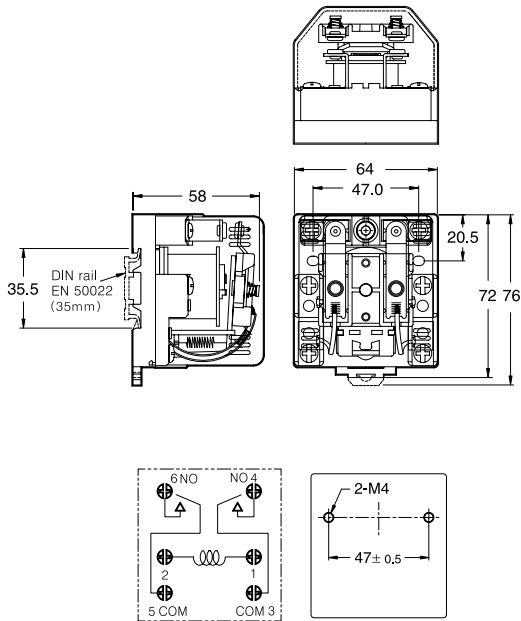
# HR723 Series

Heavy Duty Relays



## Dimensions (unit: mm)

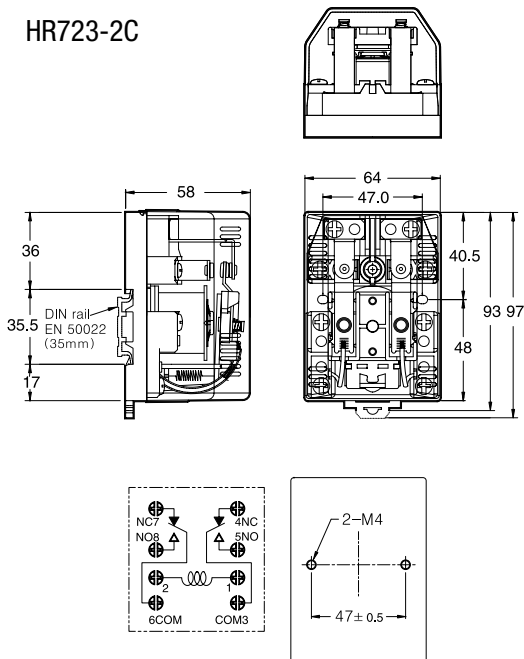
### HR723-2A



## Specifications

Part Numbers		HR723-2A-220VAC	HR723-1C-220VAC	HR723-2C-220VAC
		HR723-2A -110VAC	HR723-1C -110VAC	HR723-2C -110VAC
		HR723-2A -24VDC	HR723-1C -24VDC	HR723-2C -24VDC
<b>Contact</b>	Configuration	DPST(2a)	SPDT(1a+1b)	DPDT(2a+2b)
	Material	Silver alloy		
	Rated current	30A		
	Rated Max. Resistive Load	30A at 24VDC/220VAC		
	Max. Switching Voltage	110VDC/250VAC		
	Min. Switching requirement	100mA 5VDC		
<b>Coil Spec.</b>	Voltage range	6VDC to 110VDC, 6VAC to 240VAC		
	Power consumption	AC: approx. 9.6VA, DC: approx. 2.8W		
	Minimum operating voltage	80% of the rated coil voltage		
	Dropout voltage	DC Coil: 10% of rated voltage		
		AC Coil: 30% of rated voltage		
	Operate Time	30ms max. at rated coil voltage		
Release time	20ms max.			
<b>General Info.</b>	Insulation resistance	100MΩ at 500V DC		
	Dielectric Strength	Between Contact(2a): 2,000 Vrms 1Min.		
		Between Contact & Coil: 2,500Vrms 1Min.		
	Mechanical life at no load	5,000,000 operations		
	Electrical life at rate load	100,000 operations		
	Vibration resistant	10~55Hz at double amplitude of 1.5mm		
	Ambient temperature	-55 ~ +80°C(-67°F~176°F) at non freezing		
	Ambient humidity	5% ~ 80% RH		
	Relay Weight	250g (8.8oz)	200g (7oz)	300g (10.6oz)

### HR723-2C



### HR723-1C

